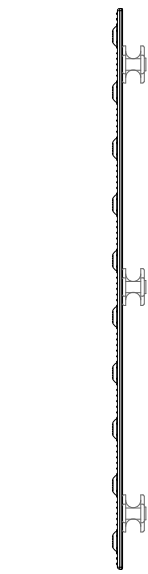
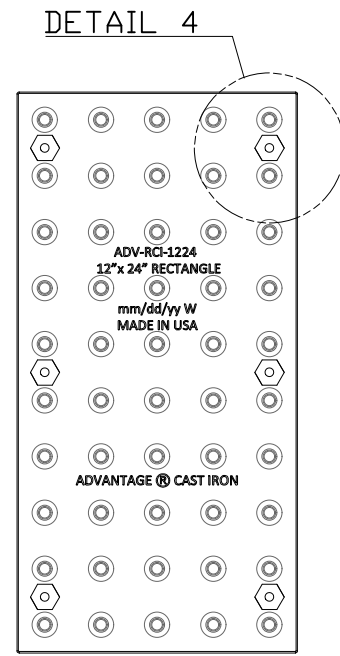


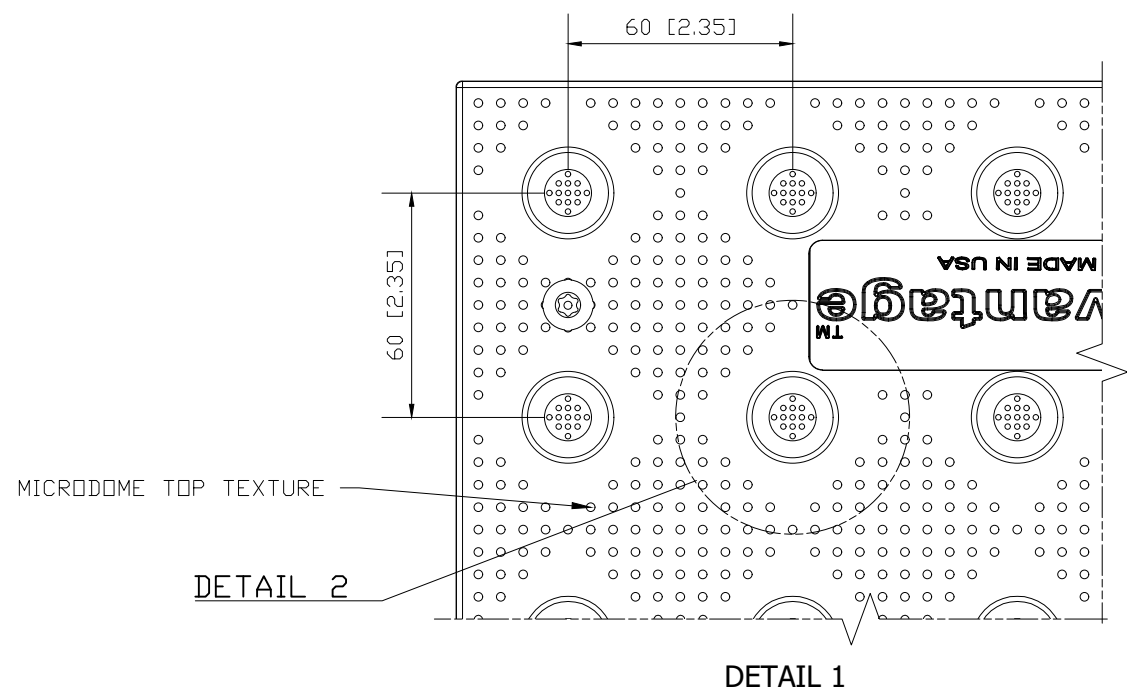
TOP PLAN VIEW



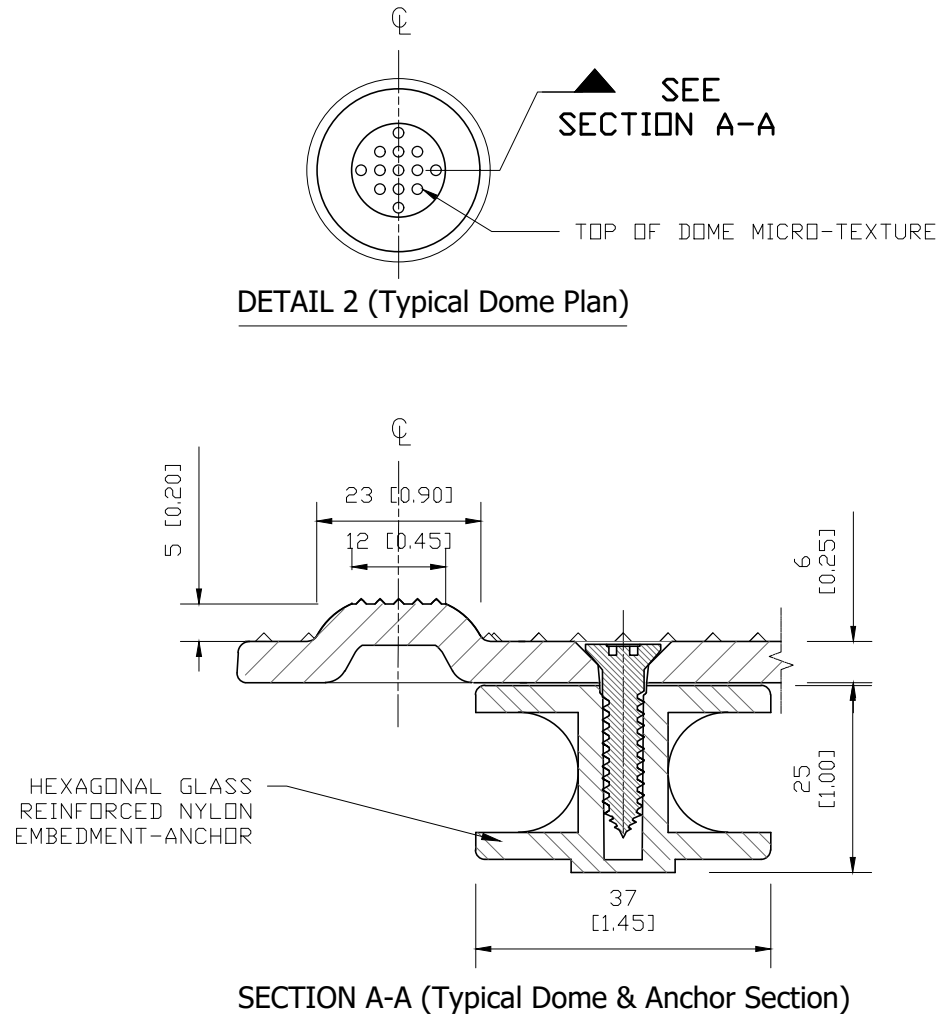
ELEVATION VIEW



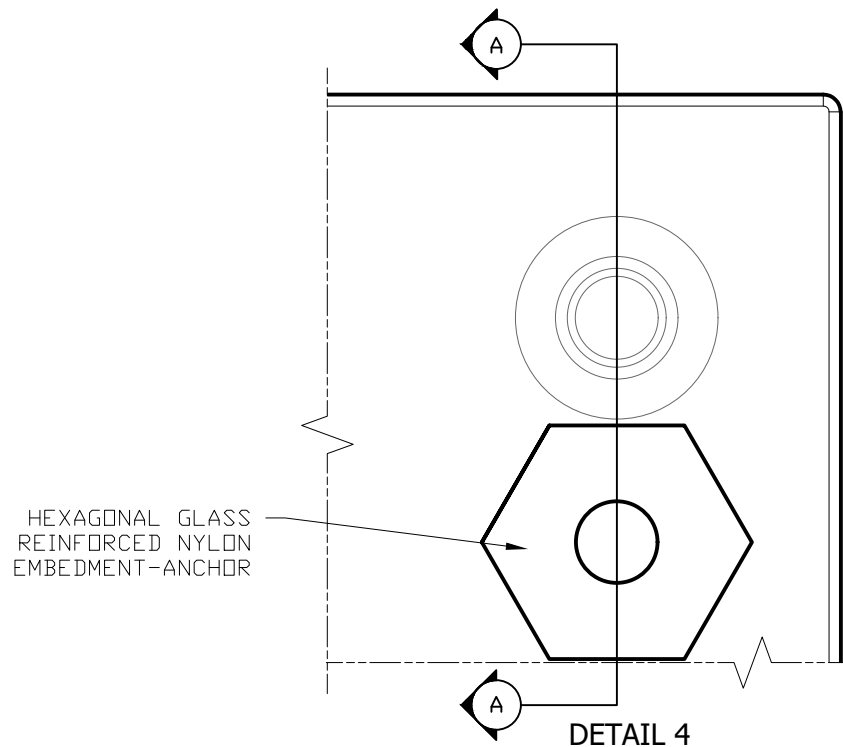
BOTTOM PLAN VIEW



DETAIL 1



SECTION A-A (Typical Dome & Anchor Section)



DETAIL 4



ENGINEERED PRODUCTS

www.kinesik.ca

COPYRIGHT © KINESIK ENGINEERED PRODUCTS

CONFIDENTIAL AND PROPRIETARY DOCUMENT
REGISTERED TRADEMARKS AND PATENTS ARE
PROPERTY OF KINESIK ENGINEERED PRODUCTS
INCORPORATED.

PATENTS PENDING, ALL RIGHTS RESERVED

ITEM	DESCRIPTION	PART NO.	QTY
1	CAST IRON TWSI PLATE	ADV-RCI-1224	1
2	HEXAGONAL NYLON ANCHORS		6
3	STAINLESS STEEL SCREWS		6

REFERENCE DRAWINGS

DWG. NO.	DESCRIPTION

ESTIMATED WEIGHT; 7.95KG [17.5LBS]

COMPLIES WITH;
CSA B651
ISO 23599
AODA

NO.	DATE	REVISION	APPR.
2			
1			
0	--		-

SCALE
NTS

DESIGNED	K.S.	DATE	16/03/2017
DRAWN	M.T.	16/03/2017	
DRAWN	D.D.	16/03/2017	

PROJECT MANAGER

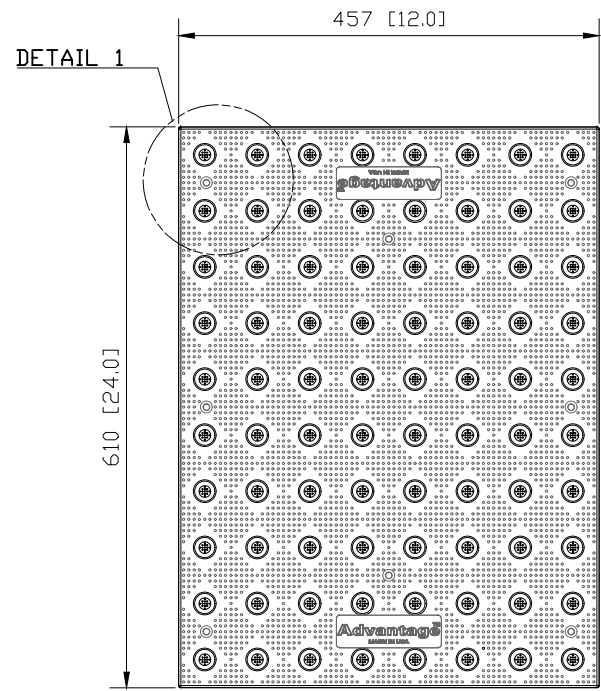
TRADE TWSI PART NO. ADV-RCI-1224

MATERIAL GREY CAST IRON / ASTM A48 CLASS 35B



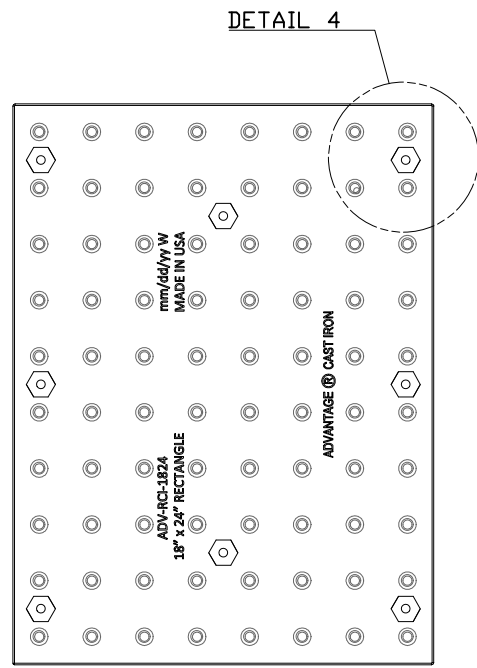
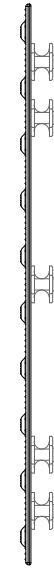
PROJECT
ADVANTAGE CAST IRON PREMIER
TACTILE WALKING SURFACE DETECTABLE\
INDICATOR PLATE
305mm [12"]-610mm [24"]

DRAWING NO.	REV. NO.
ADV-RCI-1224-MKTC	1

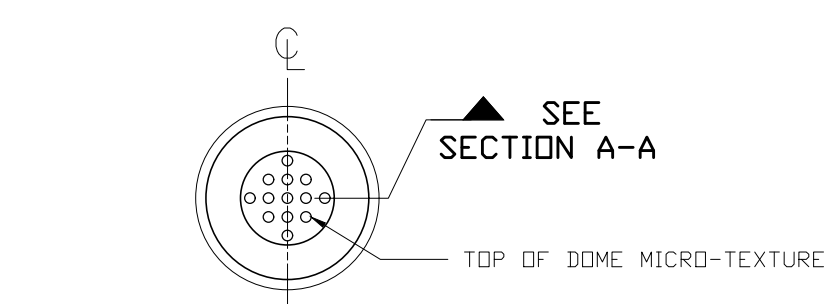


TOP PLAN VIEW

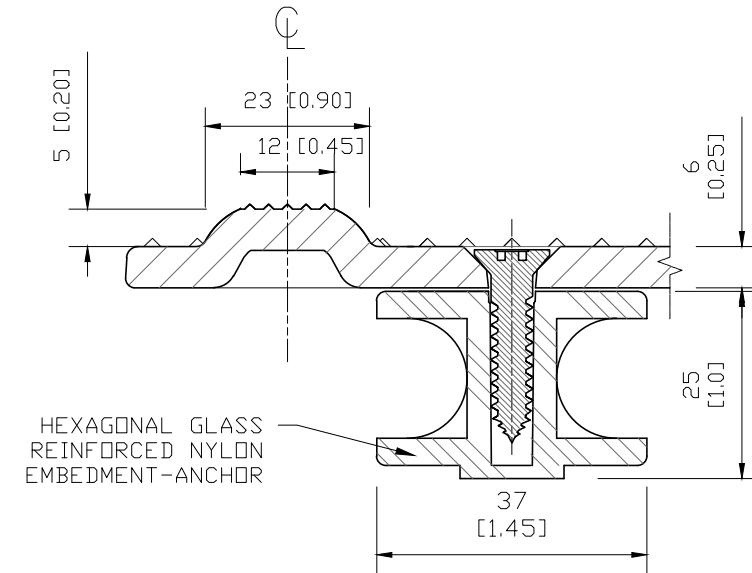
ELEVATION VIEW



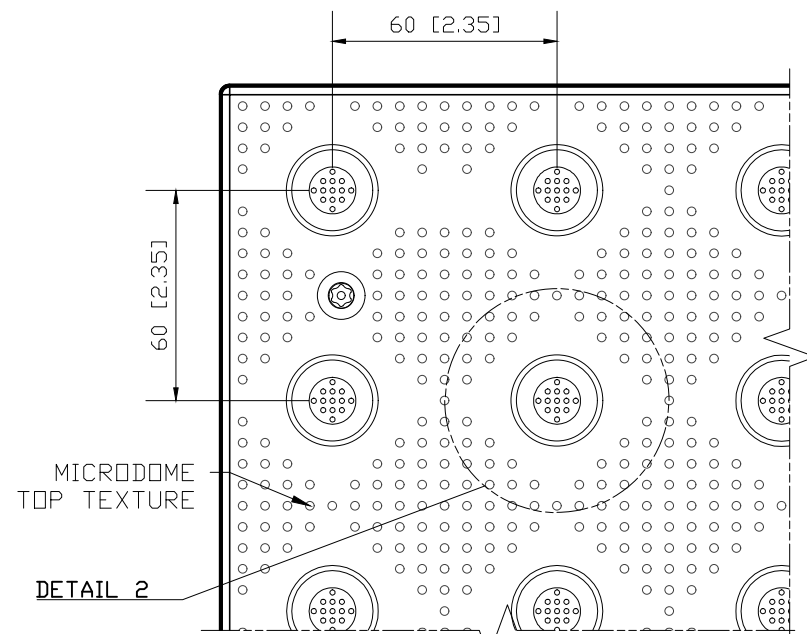
BOTTOM PLAN VIEW



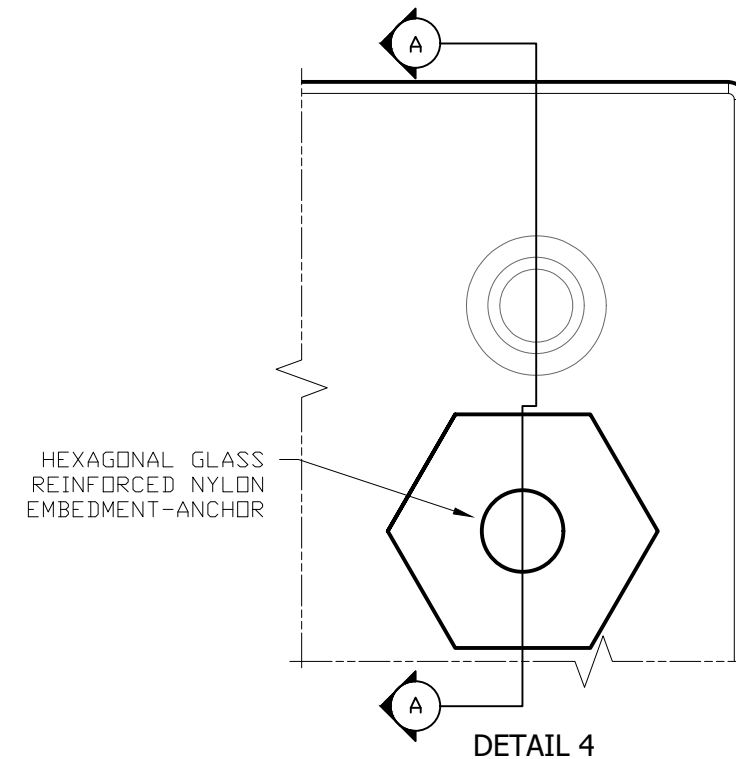
DETAIL 2 (Typical Dome Plan)



SECTION A-A (Typical Dome & Anchor Section)



DETAIL 1



DETAIL 4



ENGINEERED PRODUCTS

www.kinesik.ca

COPYRIGHT © KINESIK ENGINEERED PRODUCTS

CONFIDENTIAL AND PROPRIETARY DOCUMENT REGISTERED TRADEMARKS AND PATENTS ARE PROPERTY OF KINESIK ENGINEERED PRODUCTS INCORPORATED.

PATENTS PENDING, ALL RIGHTS RESERVED

ITEM	DESCRIPTION	PART NO.	QTY
1	CAST IRON TWSI PLATE	ADV-RCI-1824	1
2	HEXAGONAL NYLON ANCHORS		8
3	STAINLESS STEEL SCREWS		8

REFERENCE DRAWINGS

DWG. NO.	DESCRIPTION

ESTIMATED WEIGHT; 11.82KG [26LBS]

COMPLIES WITH;
CSA B651
ISO 23599
AODA

2			
1			
0	--		-
NO.	DATE	REVISION	APPR.

SCALE
NTS

DESIGNED	K.S.	DATE	03/2017
DRAWN	M.T.		03/2017
DRAWN	D.D.		03/2017

PROJECT MANAGER

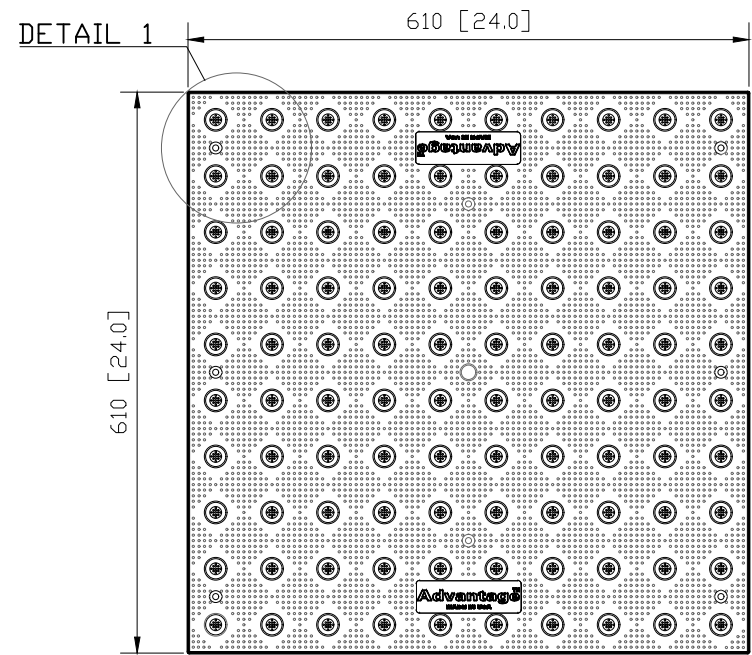
TRADE TWSI PART NO. ADV-RCI-1824

MATERIAL GREY CAST IRON / ASTM A48 CLASS 35B

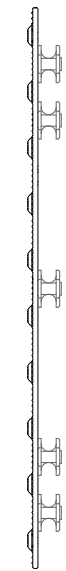


PROJECT
ADVANTAGE CAST IRON PREMIER
TACTILE WALKING SURFACE DETECTABLE\
INDICATOR PLATE
457mm [18"]-610mm [24"]

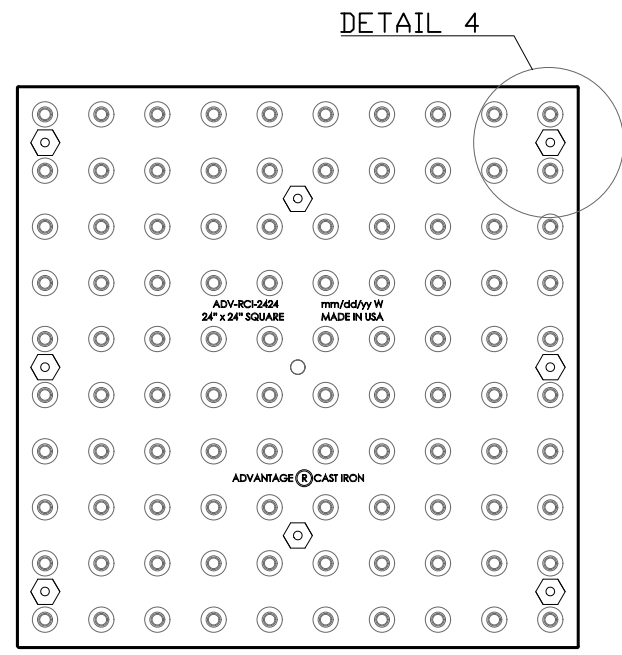
DRAWING NO. ADV-RCI-1824-MKTC	REV. NO. 1
----------------------------------	---------------



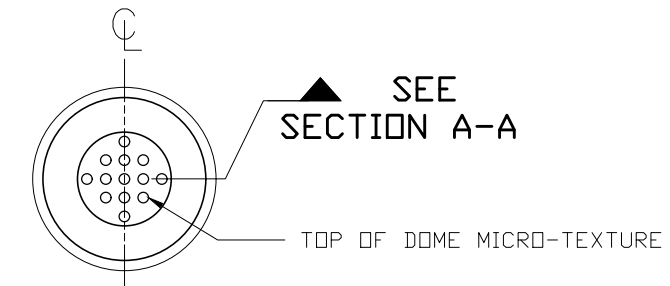
TOP PLAN VIEW



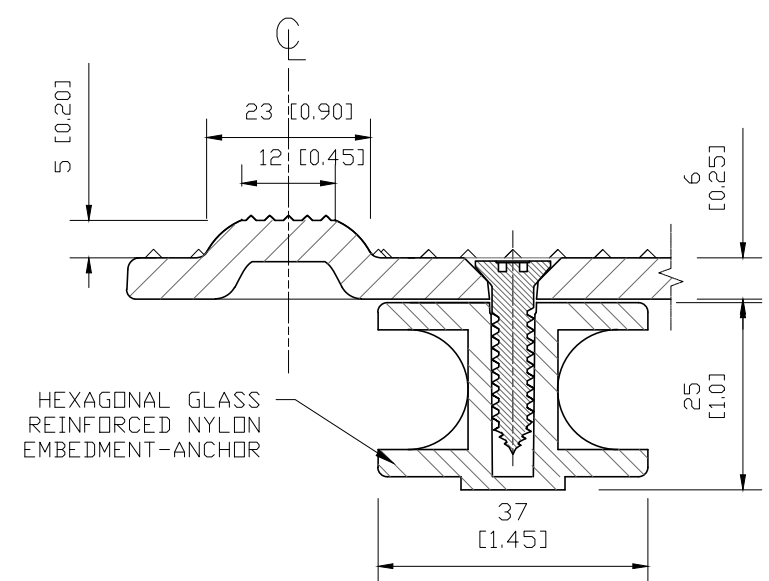
ELEVATION VIEW



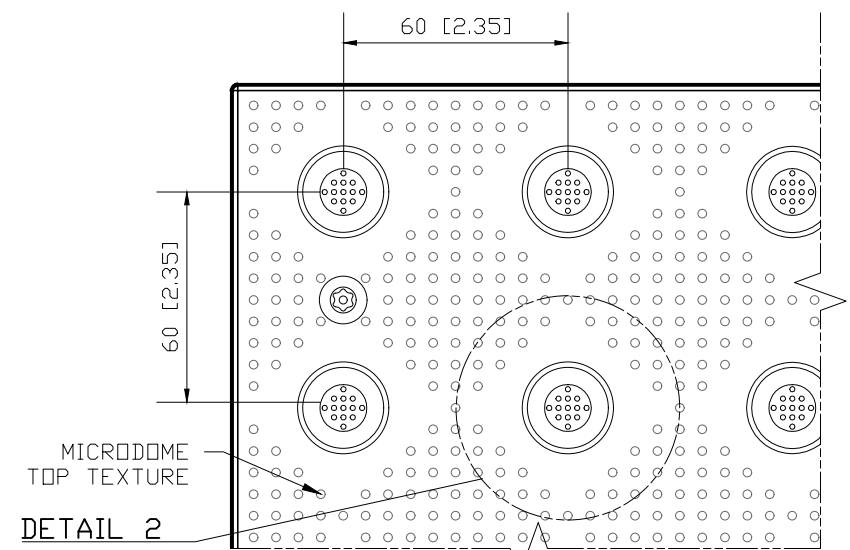
BOTTOM PLAN VIEW



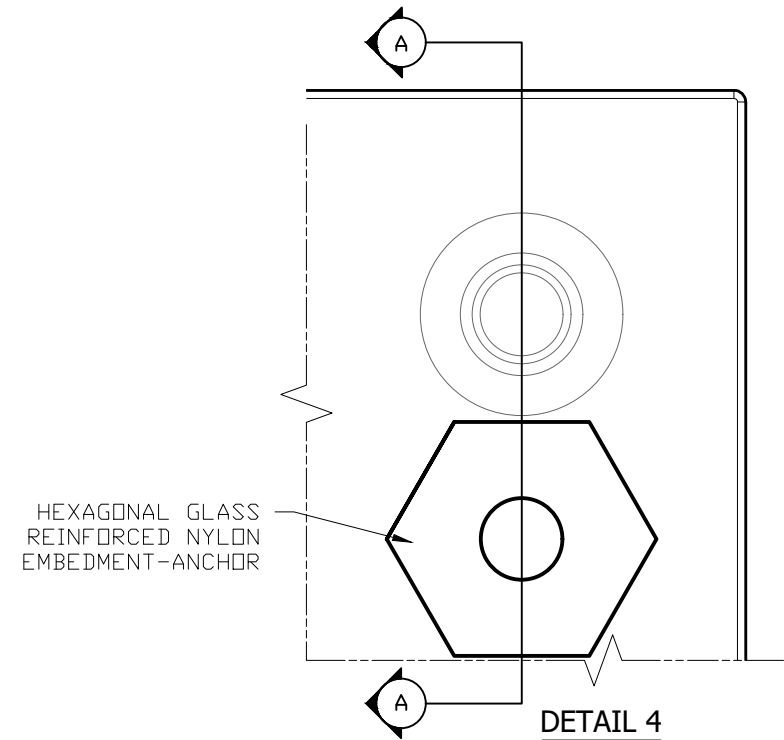
DETAIL 2 (Typical Dome Plan)



SECTION A-A (Typical Dome & Anchor Section)



DETAIL 1



DETAIL 4



ENGINEERED PRODUCTS
www.kinesik.ca

COPYRIGHT © KINESIK ENGINEERED PRODUCTS
CONFIDENTIAL AND PROPRIETARY DOCUMENT
REGISTERED TRADEMARKS AND PATENTS ARE
PROPERTY OF KINESIK ENGINEERED PRODUCTS
INCORPORATED.
PATENTS PENDING, ALL RIGHTS RESERVED

ITEM	DESCRIPTION	PART NO.	QTY
1	CAST IRON TWSI PLATE	ADV-RCI-2424	1
2	HEXAGONAL NYLON ANCHORS		8
3	STAINLESS STEEL SCREWS		8

REFERENCE DRAWINGS	
DWG. NO.	DESCRIPTION

ESTIMATED WEIGHT; 16KG [35.2LBS]

COMPLIES WITH;
CSA B651
ISO 23599
AODA

NO.	DATE	REVISION	APPR.
2			
1			
0	--		-

SCALE
NTS

DESIGNED	K.S.	DATE	03/2017
DRAWN	M.T.		03/2017
DRAWN	D.D.		03/2017

PROJECT MANAGER

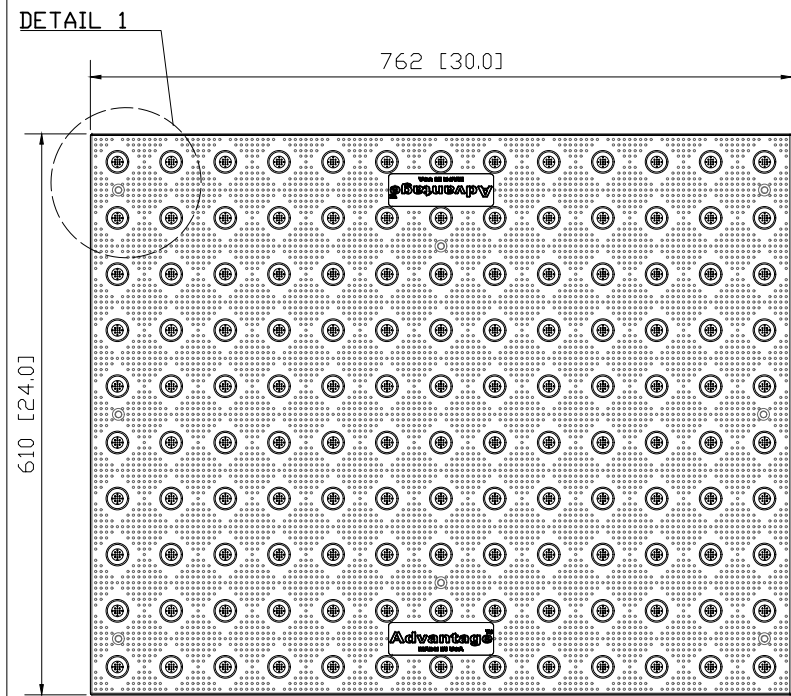
TRADE TWSI PART NO. ADV-RCI-2424

MATERIAL GREY CAST IRON / ASTM A48 CLASS 35B

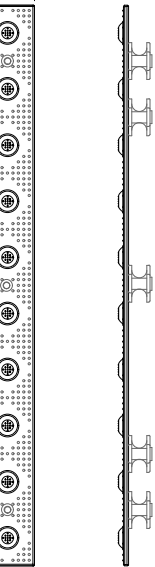


PROJECT
ADVANTAGE CAST IRON PREMIER
TACTILE WALKING SURFACE DETECTABLE
INDICATOR PLATE
610mm [24"]-610mm [24"]

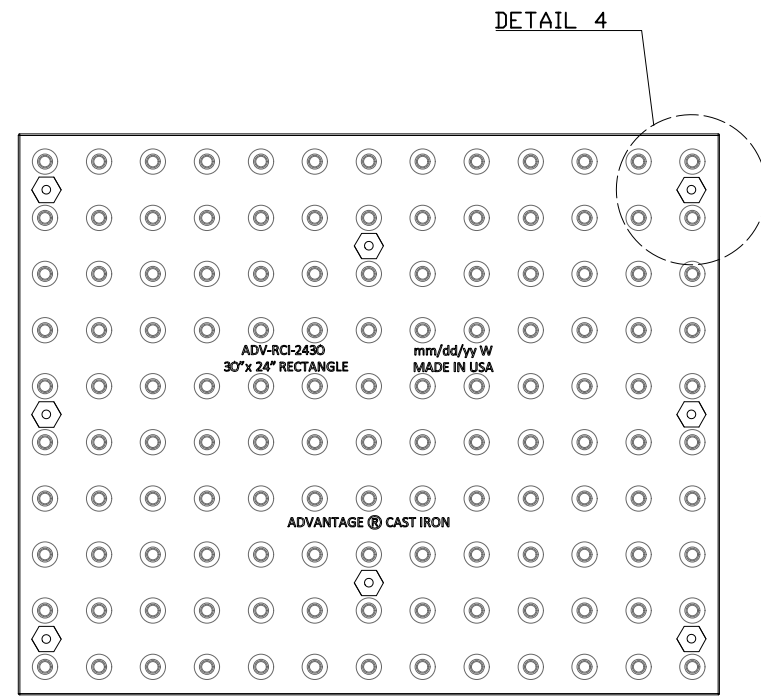
DRAWING NO.	REV. NO.
ADV-RCI-2424-MKTC	4



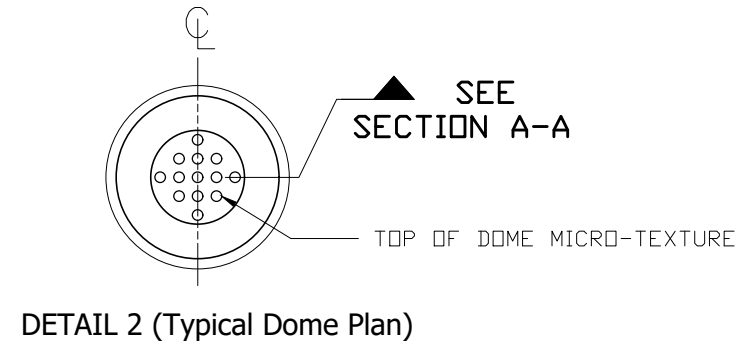
TOP PLAN VIEW



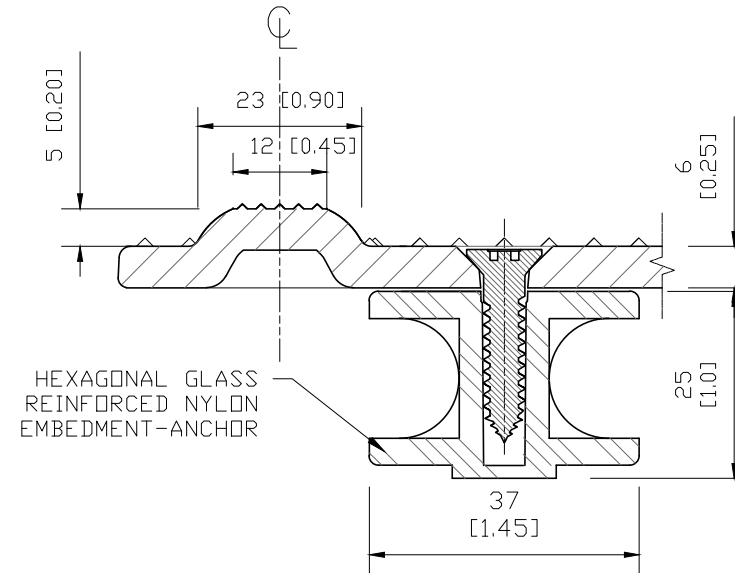
ELEVATION VIEW



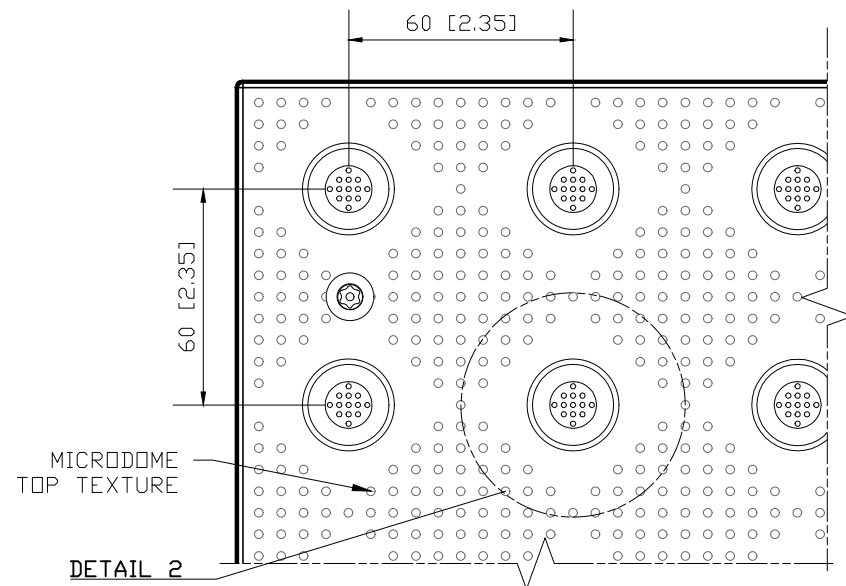
BOTTOM PLAN VIEW



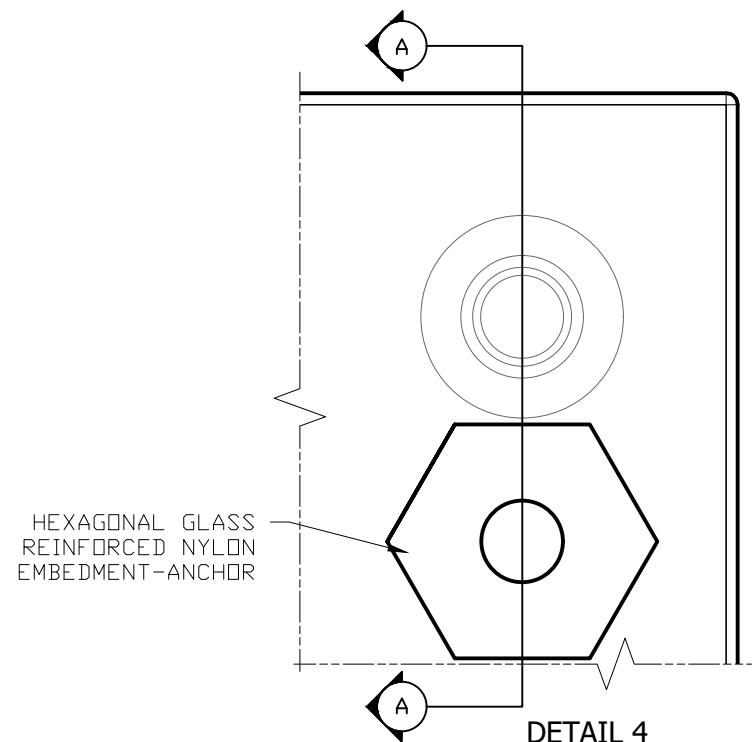
DETAIL 2 (Typical Dome Plan)



SECTION A-A (Typical Dome & Anchor Section)



DETAIL 1



DETAIL 4



ENGINEERED PRODUCTS

www.kinesik.ca

COPYRIGHT © KINESIK ENGINEERED PRODUCTS

CONFIDENTIAL AND PROPRIETARY DOCUMENT
REGISTERED TRADEMARKS AND PATENTS ARE
PROPERTY OF KINESIK ENGINEERED PRODUCTS
INCORPORATED.

PATENTS PENDING, ALL RIGHTS RESERVED

ITEM	DESCRIPTION	PART NO.	QTY
1	CAST IRON TWSI PLATE	ADV-RCI-3024	1
2	HEXAGONAL NYLON ANCHORS		8
3	STAINLESS STEEL SCREWS		8

REFERENCE DRAWINGS

DWG. NO.	DESCRIPTION

ESTIMATED WEIGHT; 19.77KG [43.5LBS]

COMPLIES WITH;
CSA B651
ISO 23599
AODA

NO.	DATE	REVISION	APPR.
2			
1			
0	--		-

SCALE
NTS

DESIGNED	K.S.	DATE	03/2017
DRAWN	M.T.	03/2017	
DRAWN	D.D.	03/2017	

PROJECT MANAGER

TRADE TWSI PART NO. ADV-RCI-3024

MATERIAL GREY CAST IRON / ASTM A48 CLASS 35B



PROJECT
ADVANTAGE CAST IRON PREMIER
TACTILE WALKING SURFACE DETECTABLE\
INDICATOR PLATE
762mm [30"]-610mm [24"]

DRAWING NO.	REV. NO.
ADV-RCI-3024-MKTC	1



ENGINEERED PRODUCTS

www.kinesik.ca

COPYRIGHT © KINESIK ENGINEERED PRODUCTS

CONFIDENTIAL AND PROPRIETARY DOCUMENT
REGISTERED TRADEMARKS AND PATENTS ARE
PROPERTY OF KINESIK ENGINEERED PRODUCTS
INCORPORATED.

PATENTS PENDING, ALL RIGHTS RESERVED

ITEM	DESCRIPTION	PART NO.	QTY
1	CAST IRON TWSI PLATE	ADV-RCI-15RW	1

REFERENCE DRAWINGS

DWG. NO.	DESCRIPTION

ESTIMATED WEIGHT; 3.46KG [7.64LBS]

COMPLIES WITH;
CSA B651
ISO 23599
AODA

NO.	DATE	REVISION	APPR.
2			
1			
0	--		-

SCALE
NTS

DESIGNED	K.S.	DATE	03/2017
DRAWN	M.T.	03/2017	
DRAWN	D.D.	03/2017	

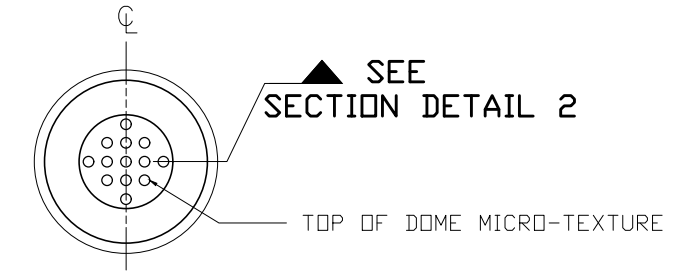
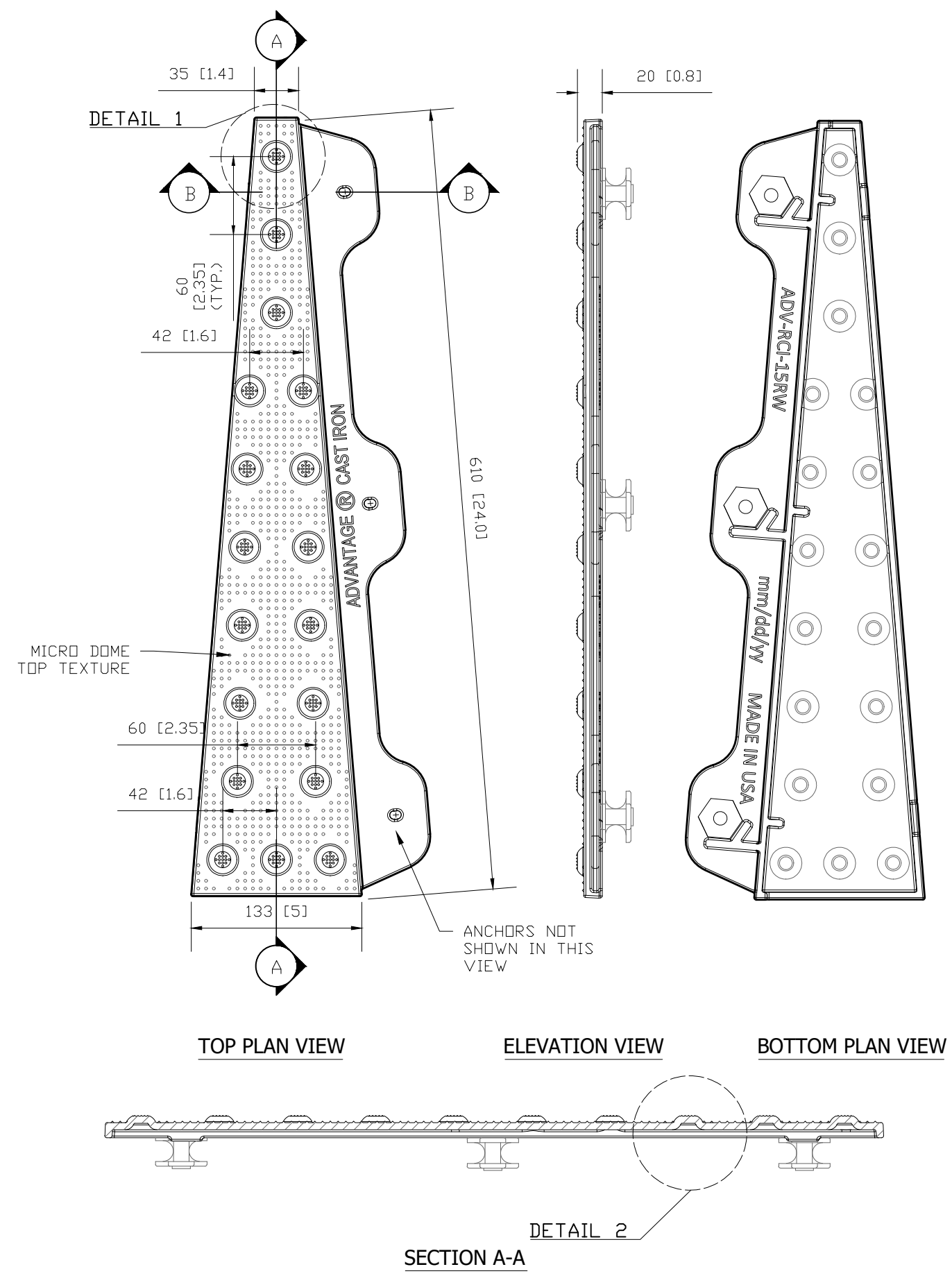
PROJECT MANAGER	
TRADE	TWSI
PART NO.	ADV-RCI-15RW

MATERIAL
GREY CAST IRON / ASTM A48 CLASS 35B

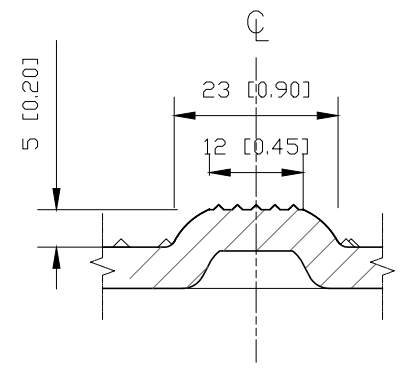


PROJECT
ADVANTAGE CAST IRON PREMIER
TACTILE WALKING SURFACE DETECTABLE\
INDICATOR PLATE
610mm [24"]-6096mm [15'] RADIUS

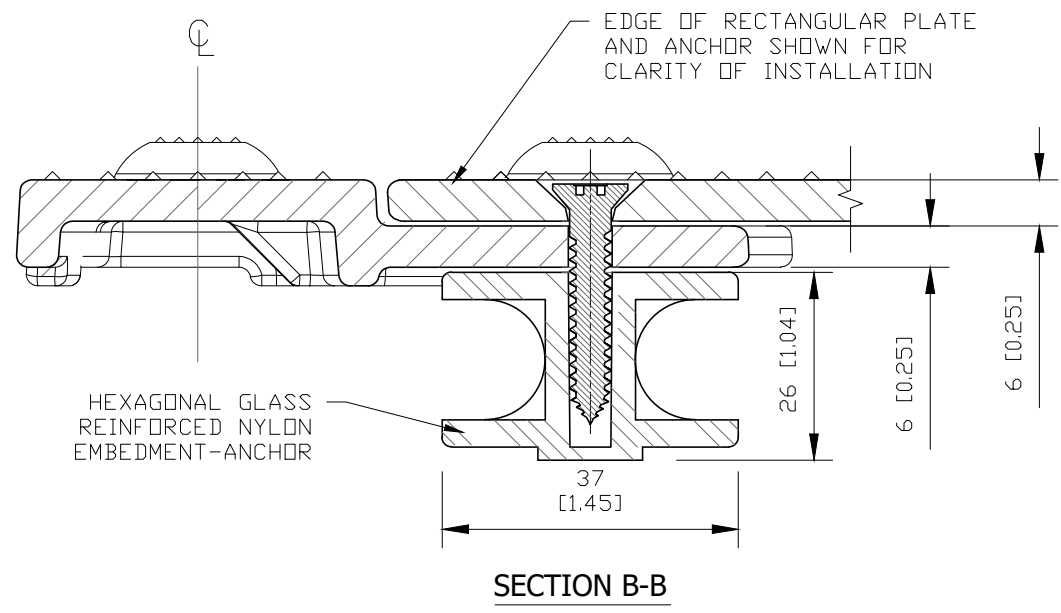
DRAWING NO.	ADV-RCI-15RW-MKTC	REV. NO.	0
-------------	-------------------	----------	---



DETAIL 1 (Typical Dome Plan)



DETAIL 2 (Typical Dome Section)



SECTION B-B



ENGINEERED PRODUCTS
www.kinesik.ca

COPYRIGHT © KINESIK ENGINEERED PRODUCTS
CONFIDENTIAL AND PROPRIETARY DOCUMENT
REGISTERED TRADEMARKS AND PATENTS ARE
PROPERTY OF KINESIK ENGINEERED PRODUCTS
INCORPORATED.
PATENTS PENDING, ALL RIGHTS RESERVED

ITEM	DESCRIPTION	PART NO.	QTY
1	CAST IRON TWSI PLATE	ADV-RCI-20RW	1

REFERENCE DRAWINGS	
DWG. NO.	DESCRIPTION

ESTIMATED WEIGHT; 3.14KG [6.92LBS]
COMPLIES WITH;
CSA B651
ISO 23599
AODA

NO.	DATE	REVISION	APPR.
2			
1			
0	--		-

SCALE	
NTS	
DESIGNED	K.S. DATE 03/2017
DRAWN	M.T. DATE 03/2017
DRAWN	D.D. DATE 03/2017

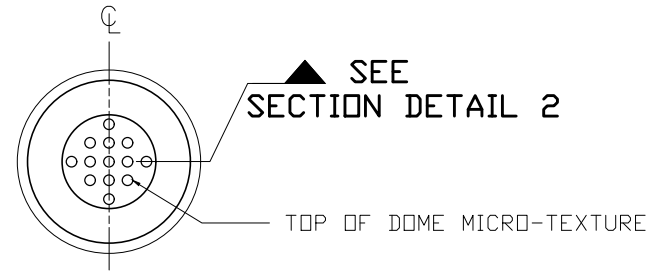
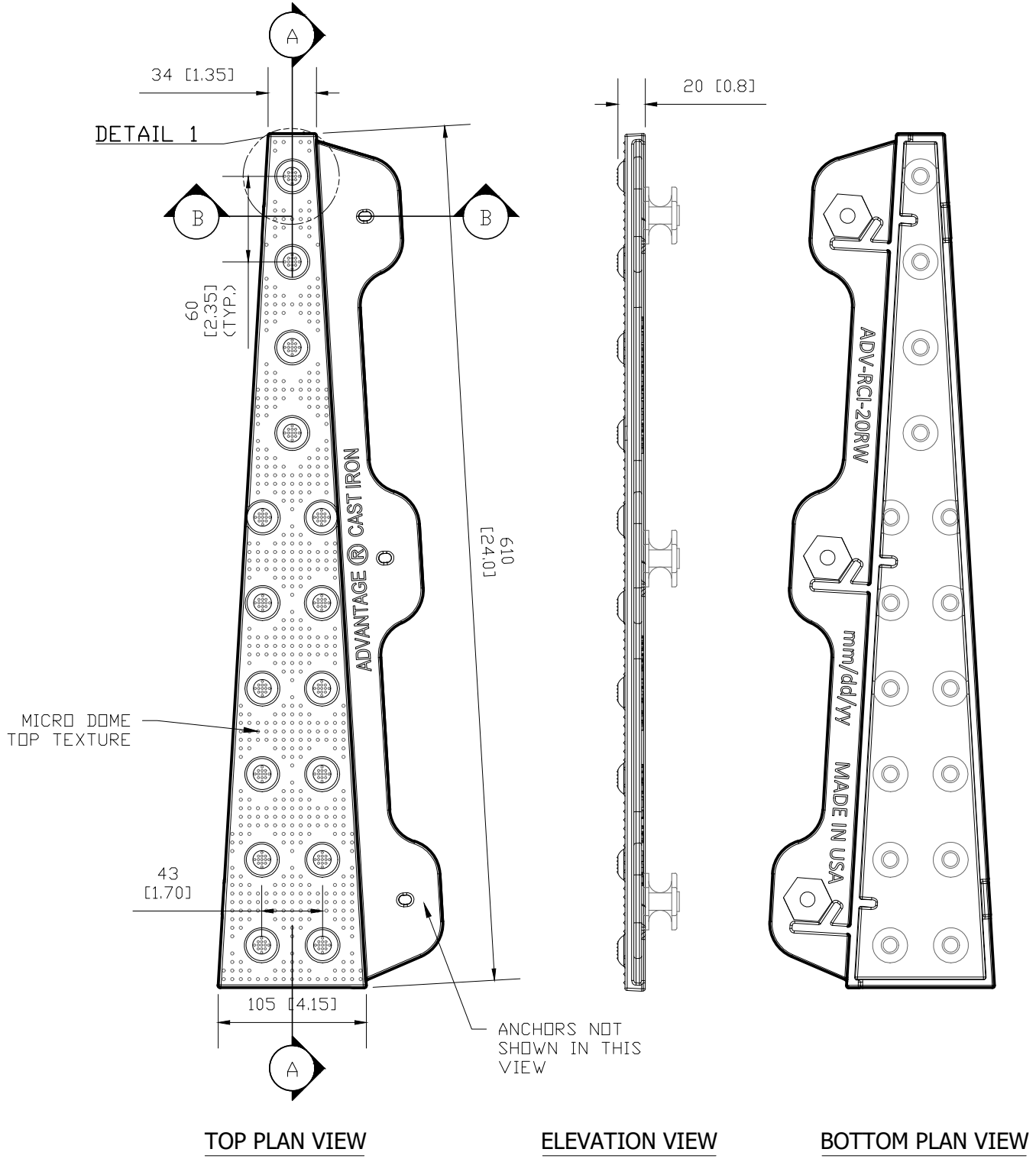
PROJECT MANAGER	PART NO.
	ADV-RCI-20RW

MATERIAL
GREY CAST IRON / ASTM A48 CLASS 35B

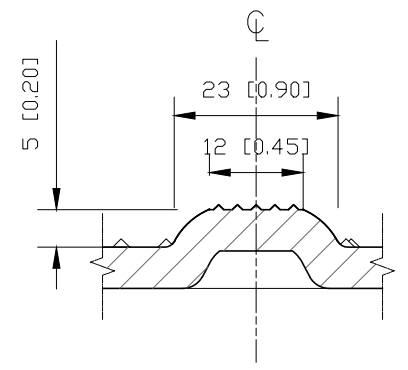
SUBJECT

PROJECT
ADVANTAGE CAST IRON PREMIER
TACTILE WALKING SURFACE DETECTABLE\
INDICATOR PLATE
610mm [24"]-6096mm [20"] RADIUS

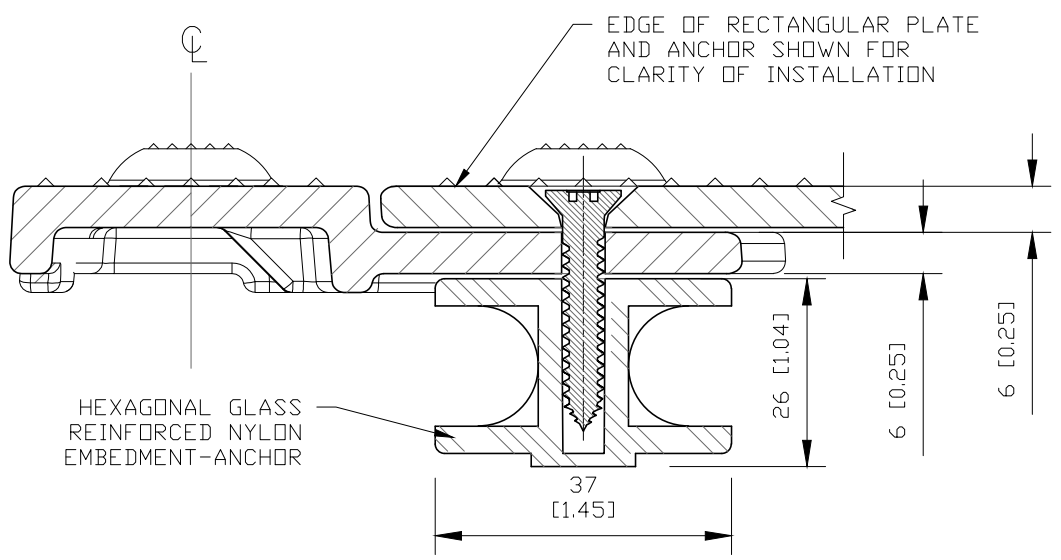
DRAWING NO.	REV. NO.
ADV-RCI-20RW-MKTC	0



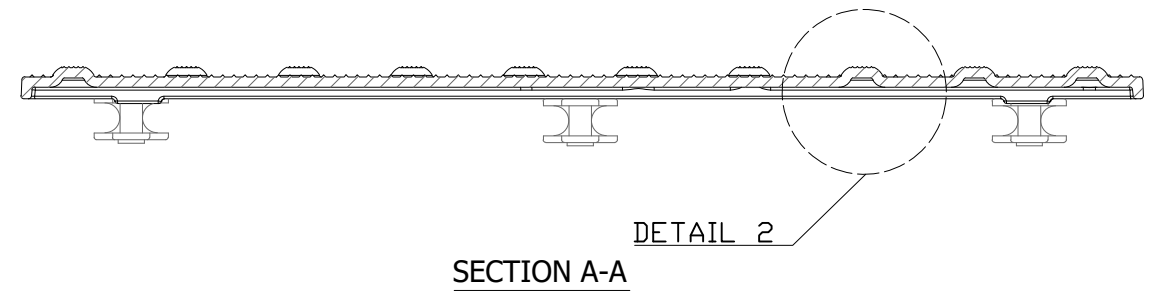
DETAIL 1 (Typical Dome Plan)



DETAIL 2 (Typical Dome Section)



SECTION B-B



SECTION A-A



ENGINEERED PRODUCTS

www.kinesik.ca

COPYRIGHT © KINESIK ENGINEERED PRODUCTS

CONFIDENTIAL AND PROPRIETARY DOCUMENT
REGISTERED TRADEMARKS AND PATENTS ARE
PROPERTY OF KINESIK ENGINEERED PRODUCTS
INCORPORATED.

PATENTS PENDING, ALL RIGHTS RESERVED

ITEM	DESCRIPTION	PART NO.	QTY
1	CAST IRON TWSI PLATE	ADV-RCI-25RW	1

REFERENCE DRAWINGS	
DWG. NO.	DESCRIPTION

ESTIMATED WEIGHT; 3.06KG [6.74LBS]

COMPLIES WITH;
CSA B651
ISO 23599
AODA

NO.	DATE	REVISION	APPR.
2			
1			
0	--		-

SCALE
NTS

DESIGNED	K.S.	DATE	03/2017
DRAWN	M.T.	03/2017	
DRAWN	D.D.	03/2017	

PROJECT MANAGER

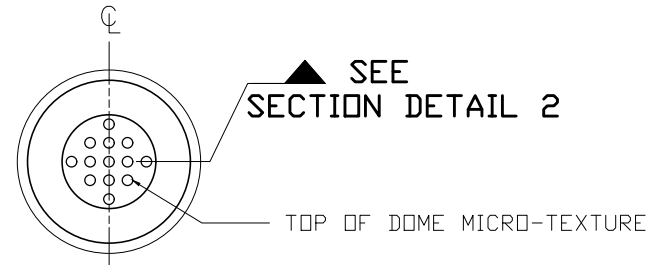
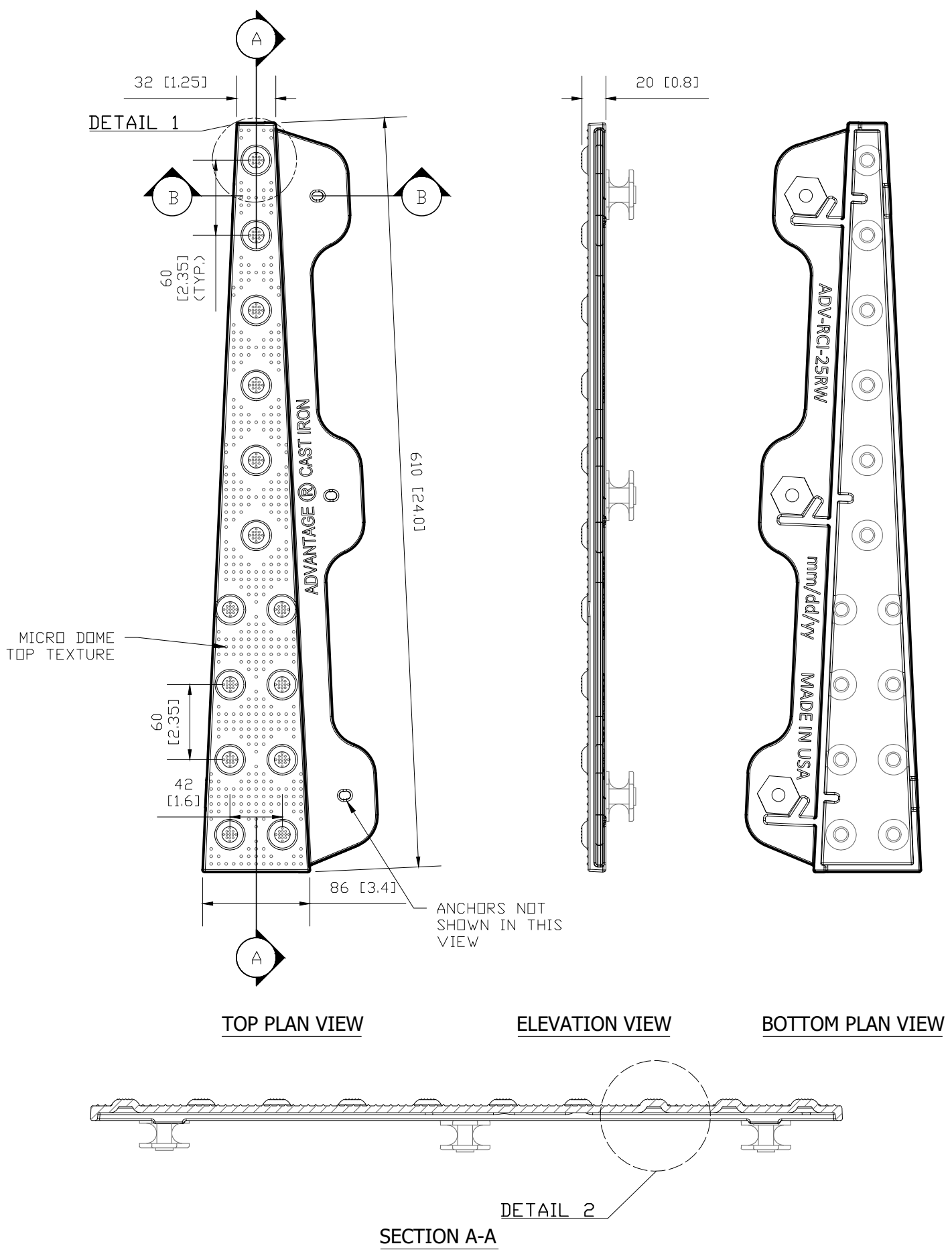
TRADE	TWSI	PART NO.	ADV-RCI-25RW
MATERIAL	GREY CAST IRON / ASTM A48 CLASS 35B	SUBJECT	

SUBJECT

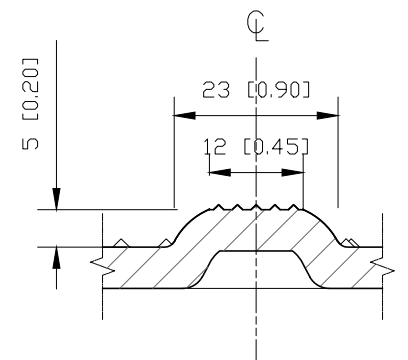


PROJECT
ADVANTAGE CAST IRON PREMIER
TACTILE WALKING SURFACE DETECTABLE
INDICATOR PLATE
610mm [24"]-6096mm [25"] RADIUS

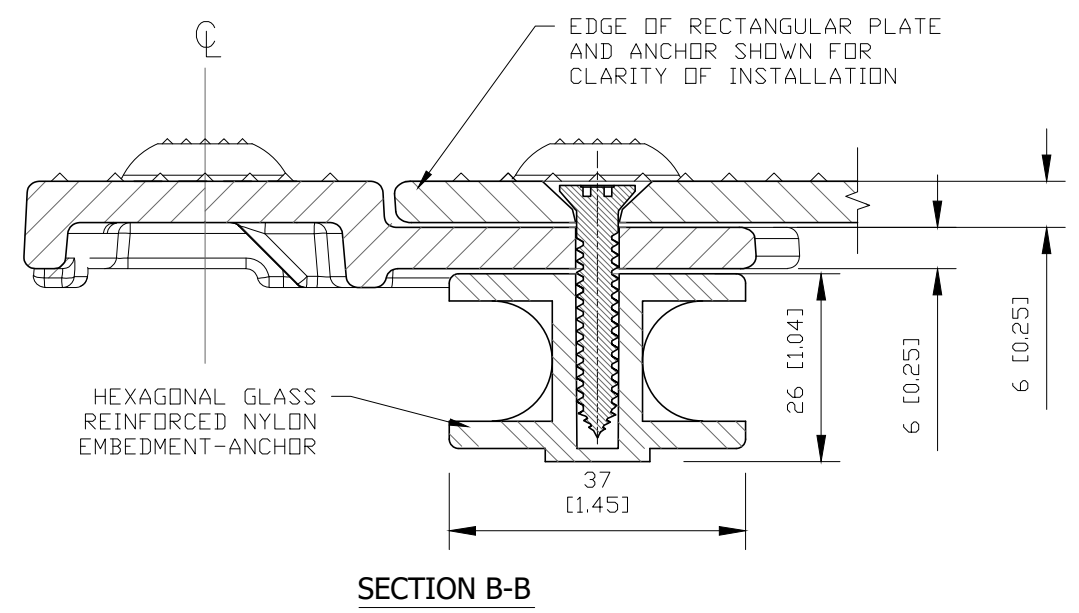
DRAWING NO.	ADV-RCI-25RW-MKTC	REV. NO.	0
-------------	-------------------	----------	---



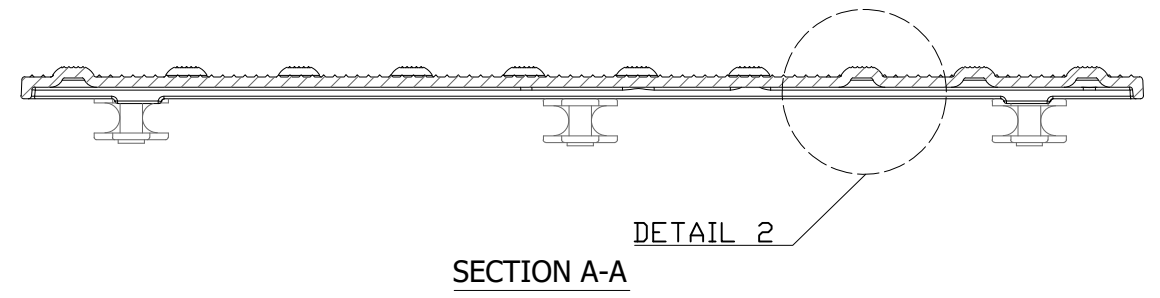
DETAIL 1 (Typical Dome Plan)



DETAIL 2 (Typical Dome Section)



SECTION B-B



SECTION A-A



ENGINEERED PRODUCTS

www.kinesik.ca

COPYRIGHT © KINESIK ENGINEERED PRODUCTS

CONFIDENTIAL AND PROPRIETARY DOCUMENT
REGISTERED TRADEMARKS AND PATENTS ARE
PROPERTY OF KINESIK ENGINEERED PRODUCTS
INCORPORATED.

PATENTS PENDING, ALL RIGHTS RESERVED

ITEM	DESCRIPTION	PART NO.	QTY
1	CAST IRON TWSI PLATE	ADV-RCI-30RW	1

REFERENCE DRAWINGS

DWG. NO.	DESCRIPTION

ESTIMATED WEIGHT; 2.8KG [6.16LBS]

COMPLIES WITH;
CSA B651
ISO 23599
AODA

NO.	DATE	REVISION	APPR.
2			
1			
0	--		-

SCALE
NTS

DESIGNED	K.S.	DATE	03/2017
DRAWN	M.T.	03/2017	
DRAWN	D.D.	03/2017	

PROJECT MANAGER	
TRADE	TWSI
PART NO.	ADV-RCI-30RW

MATERIAL
GREY CAST IRON / ASTM A48 CLASS 35B



PROJECT
ADVANTAGE CAST IRON PREMIER
TACTILE WALKING SURFACE DETECTABLE\
INDICATOR PLATE
610mm [24"]-6096mm [30"] RADIUS

DRAWING NO.	ADV-RCI-30RW-MKTC	REV. NO.	0
-------------	-------------------	----------	---

