



ENGINEERED PRODUCTS

www.kinesik.ca

© KINESIK ENGINEERED PRODUCTS

CONFIDENTIAL AND PROPRIETARY DOCUMENT
 ANY ONE OR MORE OF THE FOLLOWING PATENTS MAY APPLY:
 U.S. PATENT NO. 5 303 060, 5 775 635, 6 449 790, AND 6 805 622 B2.
 C.D.N. PATENT NO. 2 032 532, 2 070 064,
 US PATENTS PENDING.

© KENNETH E. SZEKELY

MATERIAL LIST

ITEM	DESCRIPTION	PART NO.	QTY
1	ARMOR-TILE	ADA-S-1212	1
2	EXPANSION ANCHOR	ADA-FAST	6
3	ARMOR-BOND	ADA-ADHE-EA	1
4	ARMOR-SEAL	ADA-SEAL-EA	1

REFERENCE DRAWINGS

DWG. NO.	DESCRIPTION

No.	DATE	REVISION	APPR.

SCALE AS NOTED

DESIGNED KES DATE 09/15/2014

DRAWN RWO DATE 09/15/2014

DRAWN KES

PROJECT MANAGER

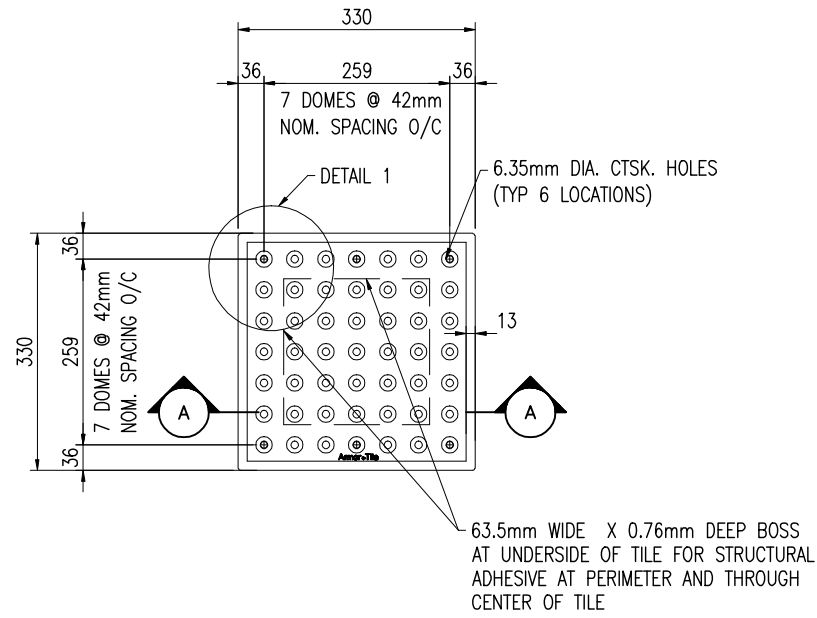
TRADE TWSI PART NO. ADA-S-1212

MATERIAL VITRIFIED POLYMER COMPOSITE

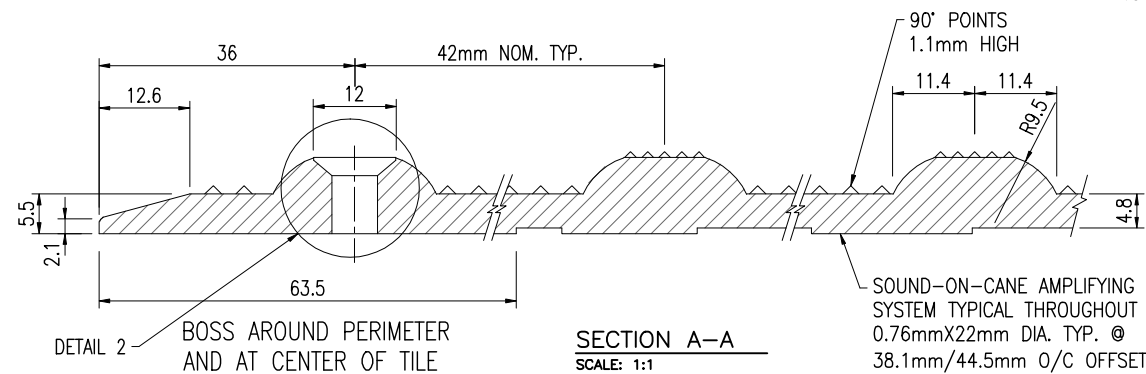
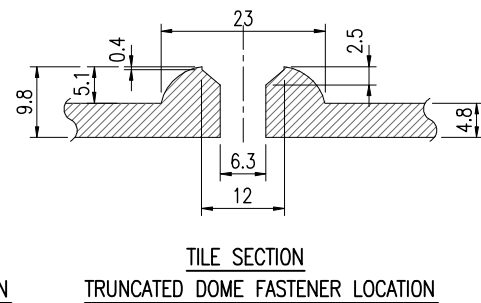
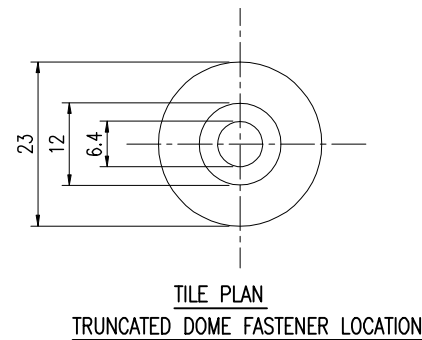
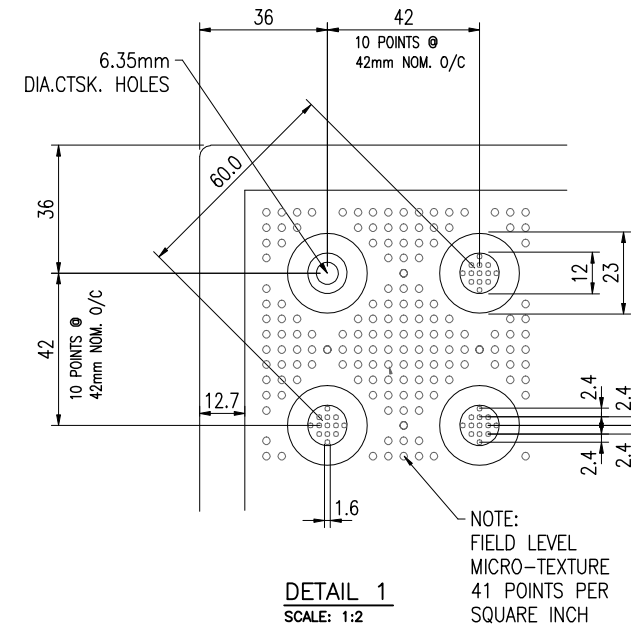
SUBJECT
Armor-Tile™
 SOUND AMPLIFYING TACTILE WALKING SURFACE INDICATOR TILE

PROJECT
TACTILE WALKING SURFACE INDICATOR TILE 330X330 SURFACE APPLIED INLINE DOME TACTILE TILE PLANS AND DETAILS

DRAWING NO. **ADA-S-1212** REV. NO. **0**



PLAN VIEW
SCALE: 1:10

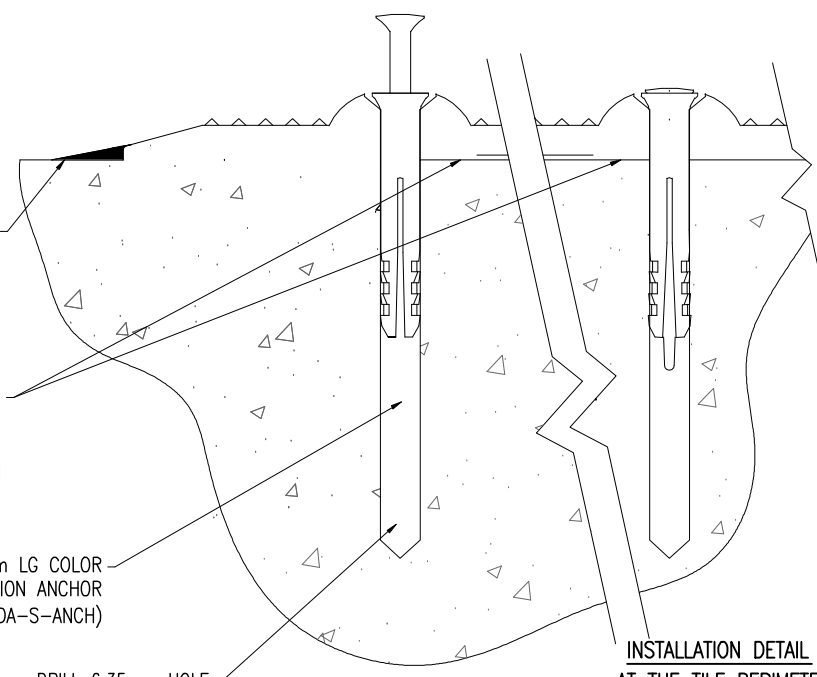


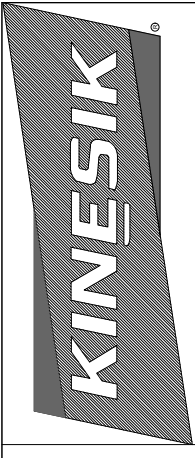
APPLY TACTILE BOND AND SEAL (PART NO. TBS-010) PERIMETER SEALANT AT PERIMETER OF TILE AFTER INSTALLING FASTENERS. TOOL SMOOTH TO BLEND TILE EDGE WITH ADJACENT SURFACE.

APPLY TACTILE BOND AND SEAL (PART NO. TBS-010) STRUCTURAL ADHESIVE AT PERIMETER AND THROUGH CENTER OF TILE EACH WAY ON BOSSED AREAS

6.35mm X 38.1mm LG COLOR MATCHED EXPANSION ANCHOR (PART NO. ADA-S-ANCH)

DRILL 6.35mm HOLE TO 89mm DEEP





ENGINEERED PRODUCTS

www.kinesik.ca

© KINESIK ENGINEERED PRODUCTS

CONFIDENTIAL AND PROPRIETARY DOCUMENT
 ANY ONE OR MORE OF THE FOLLOWING PATENTS MAY APPLY:
 U.S. PATENT NO. 5,303,669; 5,775,835; 6,449,790; AND
 6,895,622 BS.
 C.D.N. PATENT NO. 2,032,532; 2,070,984,
 US PATENTS PENDING.

© KENNETH E. SZEKELY

MATERIAL LIST

ITEM	DESCRIPTION	PART NO.	QTY
1	ARMOR-TILE	ADA-S-2424	1
2	EXPANSION ANCHOR	ADA-FAST	8
3	ARMOR-BOND	ADA-ADHE-EA	1
4	ARMOR-SEAL	ADA-SEAL-EA	1

REFERENCE DRAWINGS

DWG. NO.	DESCRIPTION

No.	DATE	REVISION	APPR.

SCALE AS NOTED

DESIGNED KES DATE 09/15/2014

DRAWN RWO DATE 09/15/2014

DRAWN KES

PROJECT MANAGER

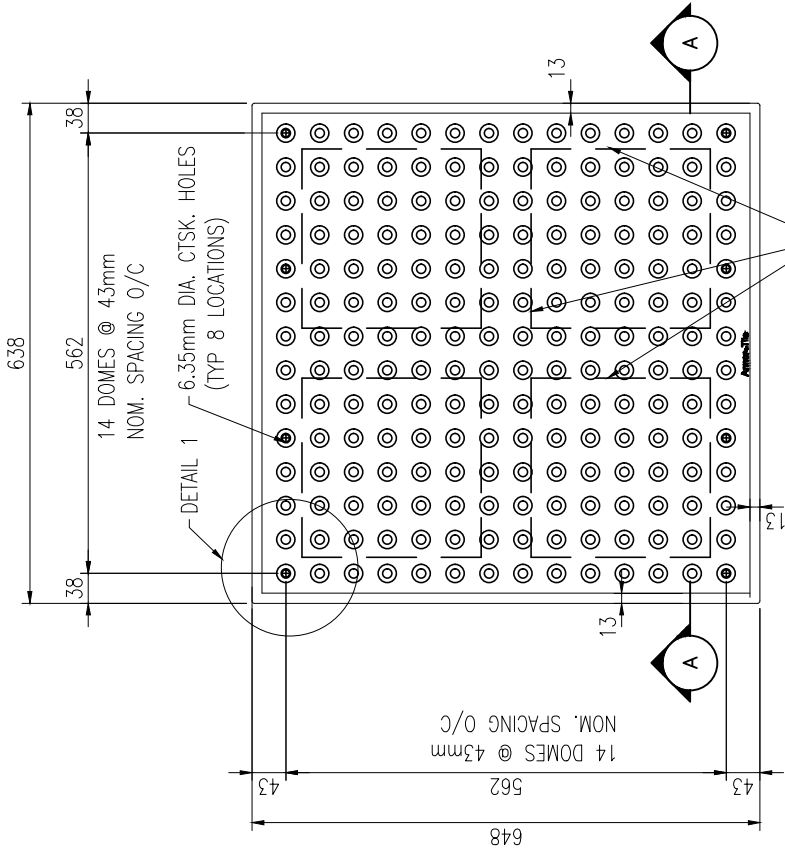
TRADE TWSI PART NO. ADA-S-2424

MATERIAL VITRIFIED POLYMER COMPOSITE

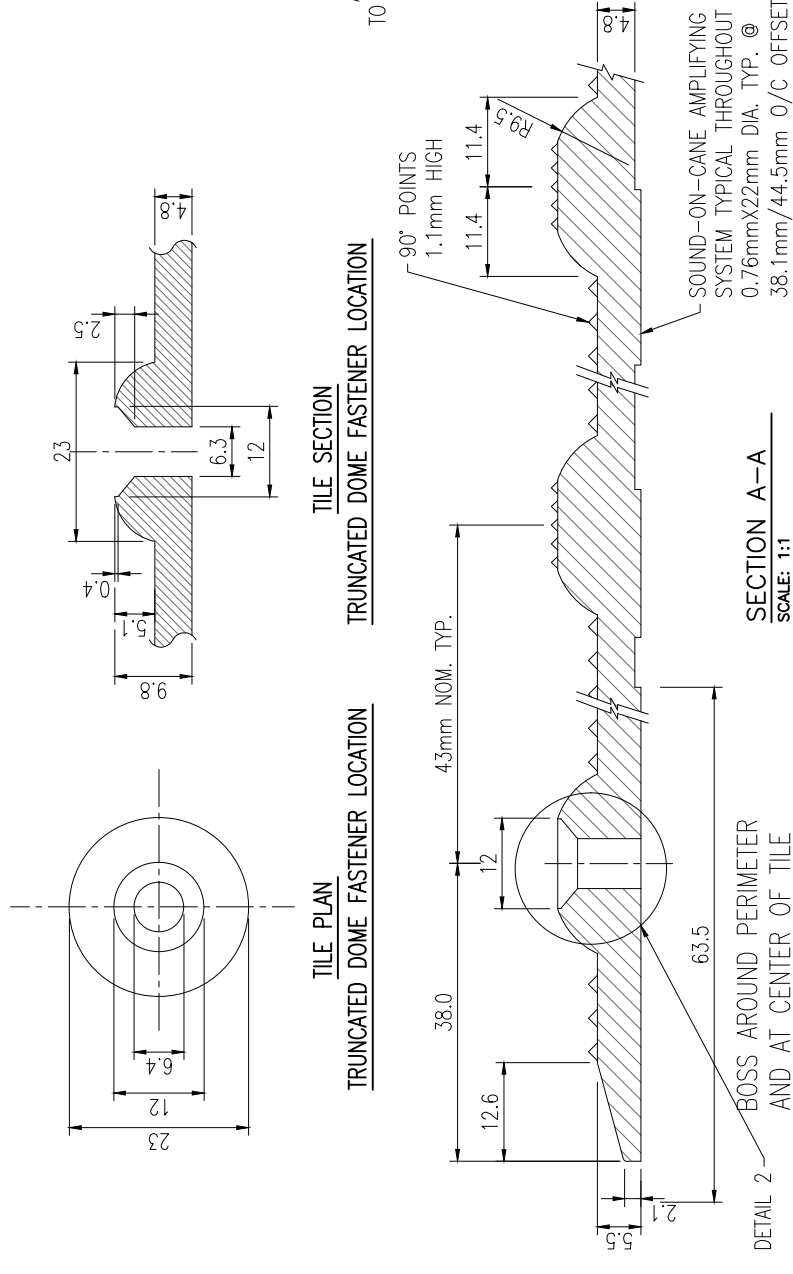
SUBJECT
Armor-tile™
 SOUND AMPLIFYING TACTILE
 WALKING SURFACE INDICATOR TILE

PROJECT
 TACTILE WALKING SURFACE
 INDICATOR TILE 648x648 SURFACE
 APPLIED INLINE DOME TACTILE TILE
 PLANS AND DETAILS

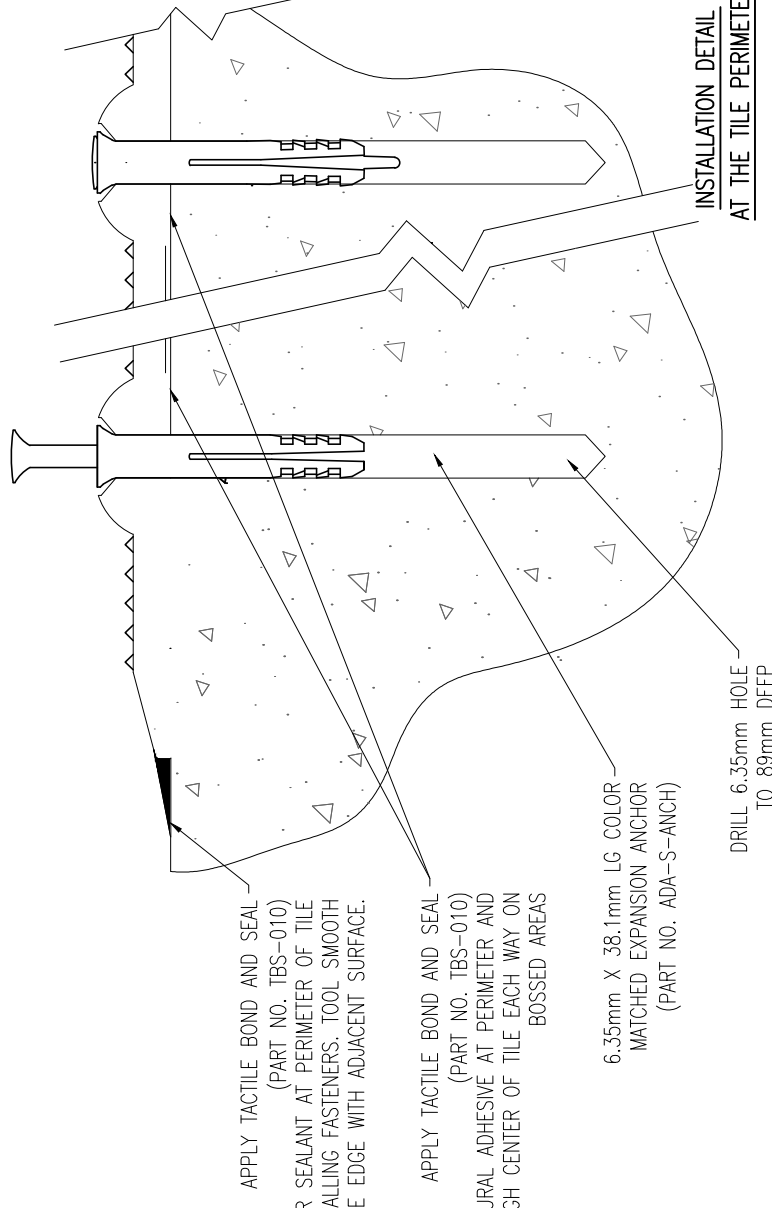
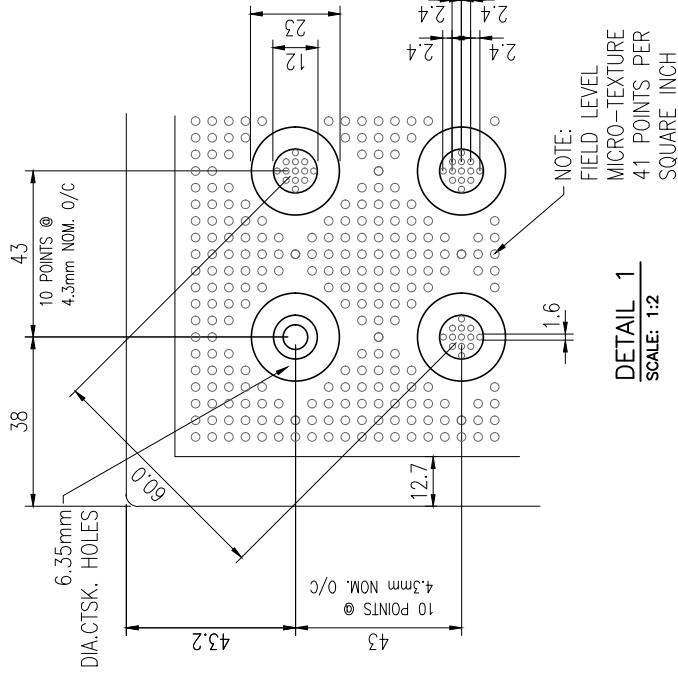
DRAWING NO. ADA-S-2424
 REV. NO. 0



PLAN VIEW
 SCALE: 1:10



SECTION A-A
 SCALE: 1:1





ENGINEERED PRODUCTS

www.kinesik.ca

© KINESIK ENGINEERED PRODUCTS
 CONFIDENTIAL AND PROPRIETARY DOCUMENT
 ANY ONE OR MORE OF THE FOLLOWING PATENTS MAY APPLY:
 U.S. PATENT NO. 5 303 060, 5 775 635, 6 449 790, AND 6 895 622 B2.
 C.D.N. PATENT NO. 2 032 532, 2 070 064,
 US PATENTS PENDING.

© KENNETH E. SZEKELY

MATERIAL LIST

ITEM	DESCRIPTION	PART NO.	QTY
1	ARMOR-TILE	ADA-S-2436	1
2	EXPANSION ANCHOR	ADA-FAST	8
3	ARMOR-BOND	ADA-ADHE-EA	1
4	ARMOR-SEAL	ADA-SEAL-EA	1

REFERENCE DRAWINGS

DWG. NO.	DESCRIPTION

No.	DATE	REVISION	APPR.

SCALE AS NOTED

DESIGNED	KES	DATE	09/15/2014
DRAWN	RWD	DATE	09/15/2014
DRAWN	KES		

PROJECT MANAGER

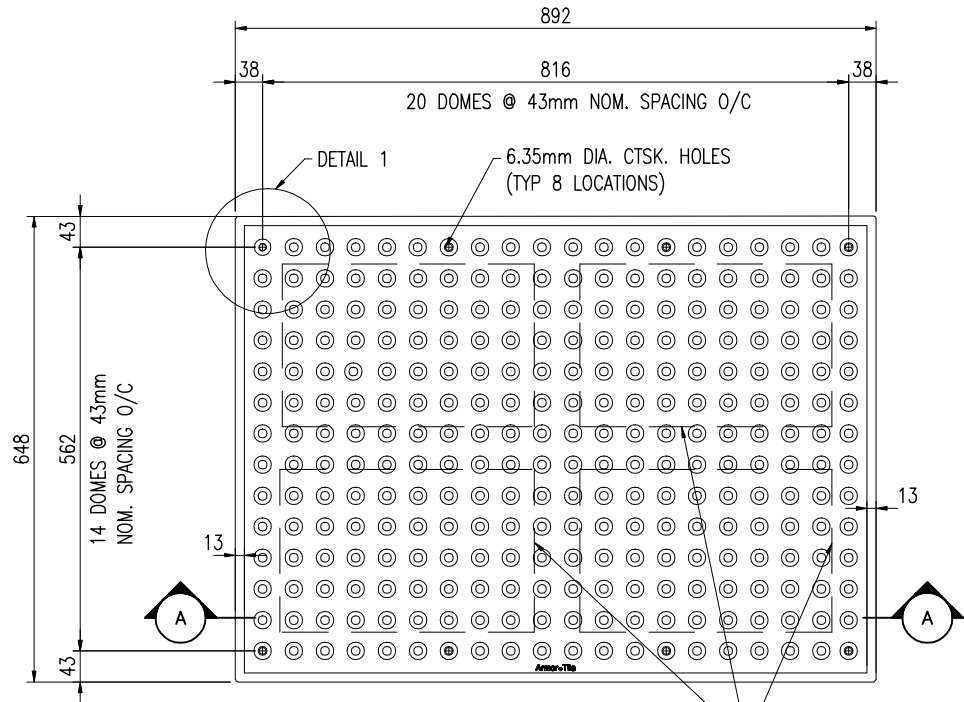
TRADE	TWSI	PART NO.	ADA-S-2436
-------	------	----------	------------

MATERIAL VITRIFIED POLYMER COMPOSITE

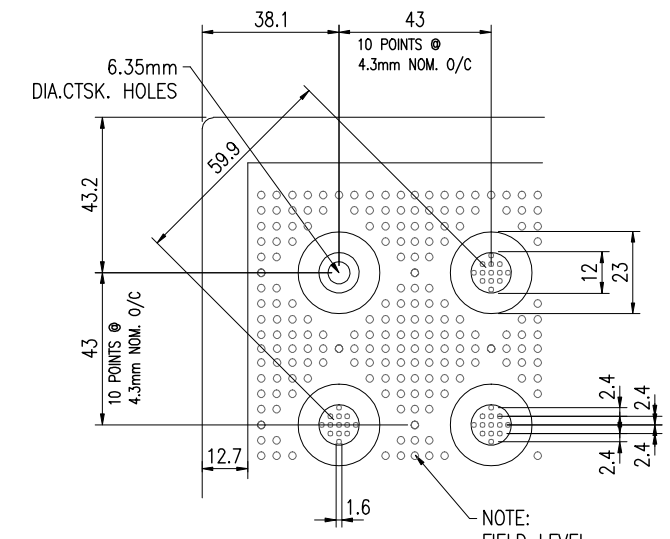
SUBJECT
Armor-Tile™
 SOUND AMPLIFYING TACTILE WALKING SURFACE INDICATOR TILE

PROJECT
TACTILE WALKING SURFACE INDICATOR TILE 648x892 SURFACE APPLIED INLINE DOME TACTILE TILE PLANS AND DETAILS

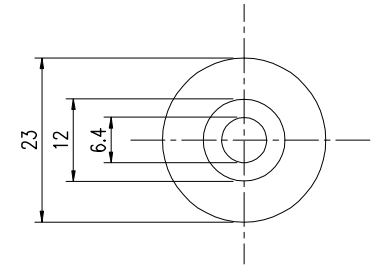
DRAWING NO.	ADA-S-2436	REV. NO.	0
-------------	------------	----------	---



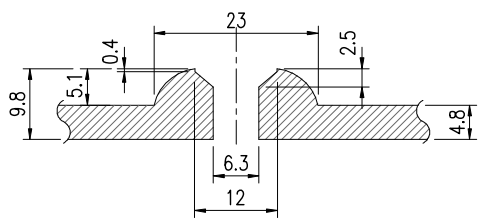
PLAN VIEW
SCALE: 1:10



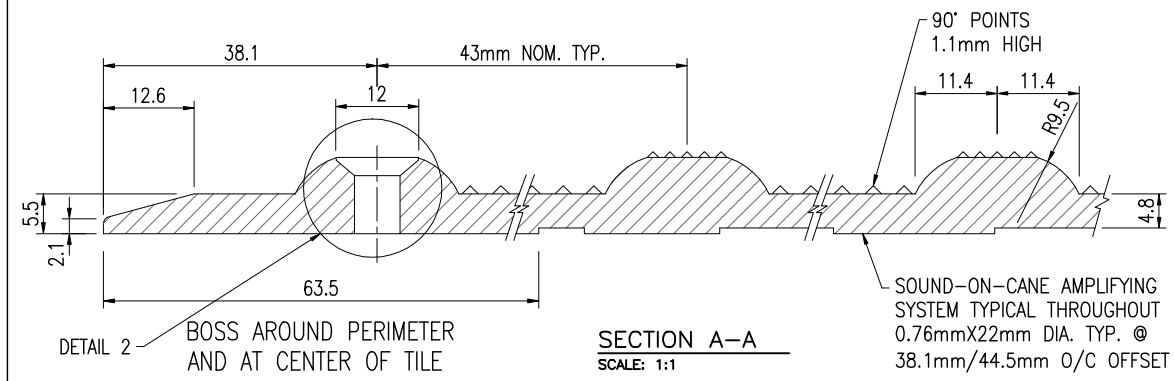
DETAIL 1
SCALE: 1:2



TILE PLAN
TRUNCATED DOME FASTENER LOCATION



TILE SECTION
TRUNCATED DOME FASTENER LOCATION



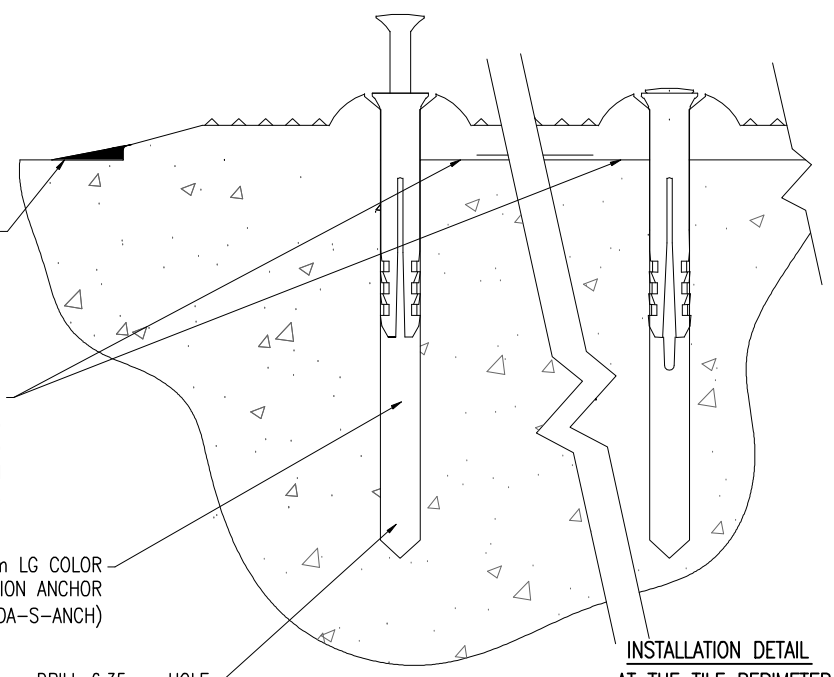
SECTION A-A
SCALE: 1:1

APPLY TACTILE BOND AND SEAL (PART NO. TBS-010) PERIMETER SEALANT AT PERIMETER OF TILE AFTER INSTALLING FASTENERS. TOOL SMOOTH TO BLEND TILE EDGE WITH ADJACENT SURFACE.

APPLY TACTILE BOND AND SEAL (PART NO. TBS-010) STRUCTURAL ADHESIVE AT PERIMETER AND THROUGH CENTER OF TILE EACH WAY ON BOSSED AREAS

6.35mm X 38.1mm LG COLOR MATCHED EXPANSION ANCHOR (PART NO. ADA-S-ANCH)

DRILL 6.35mm HOLE TO 89mm DEEP



INSTALLATION DETAIL
AT THE TILE PERIMETER

63.5mm WIDE X 0.76mm DEEP BOSS AT UNDERSIDE OF TILE FOR STRUCTURAL ADHESIVE AT PERIMETER AND THROUGH CENTER OF TILE



ENGINEERED PRODUCTS
www.kinesik.ca

© KINESIK ENGINEERED PRODUCTS
CONFIDENTIAL AND PROPRIETARY DOCUMENT
ANY ONE OR MORE OF THE FOLLOWING PATENTS MAY APPLY:
U.S. PATENT NO. 5 303 068, 5 775 835, 6 449 790, AND 6 895 622 B2,
C.D.N. PATENT NO. 2 032 532, 2 070 984,
US PATENTS PENDING.
© KENNETH E. SZEKELY

MATERIAL LIST

ITEM	DESCRIPTION	PART NO.	QTY
1	ARMOR-TILE	ADA-S-2448	1
2	EXPANSION ANCHOR	ADA-FAST	8
3	ARMOR-BOND	ADA-ADHE-EA	1
4	ARMOR-SEAL	ADA-SEAL-EA	1

REFERENCE DRAWINGS

DWG. NO.	DESCRIPTION

No.	DATE	REVISION	APPR.

SCALE AS NOTED

DESIGNED	KES	DATE	09/15/2014
DRAWN	RWO	DATE	09/15/2014
DRAWN	KES		

PROJECT MANAGER

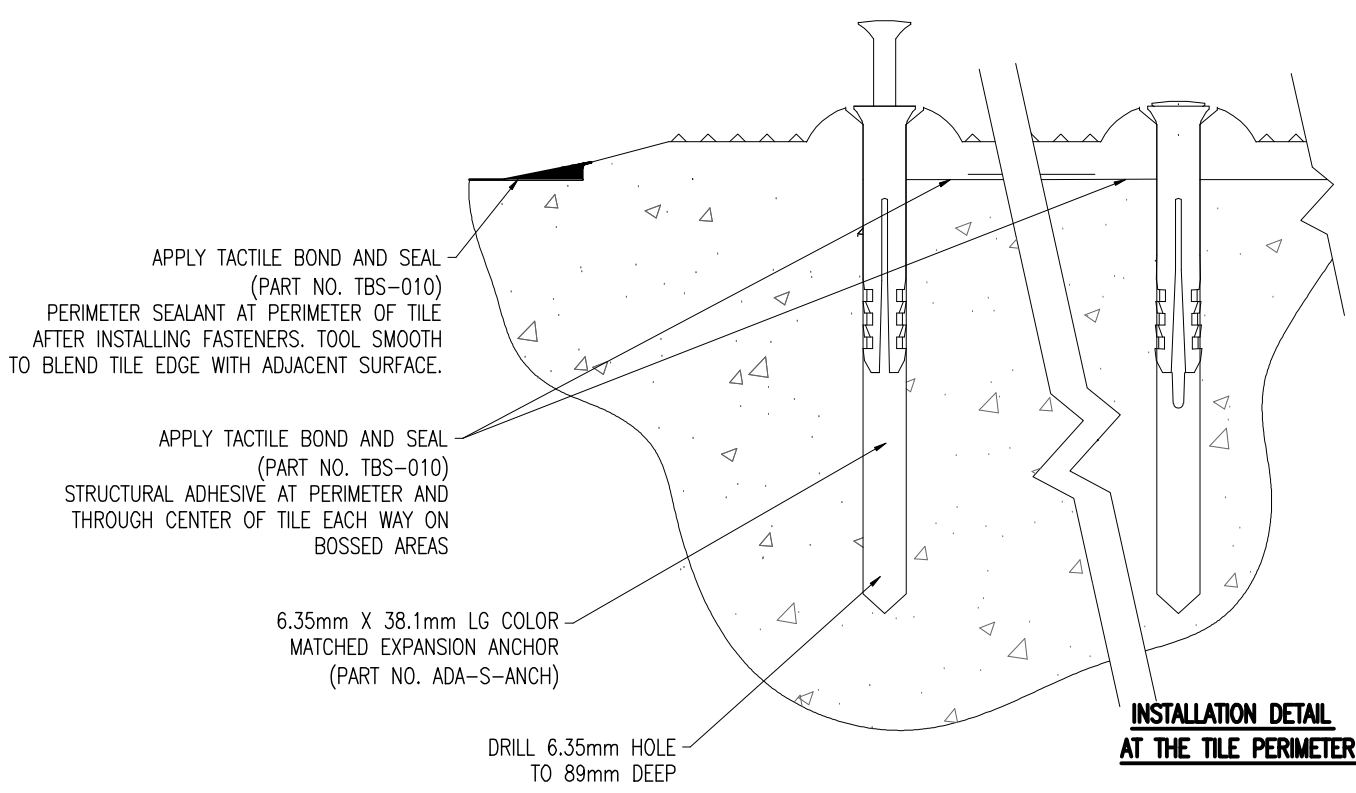
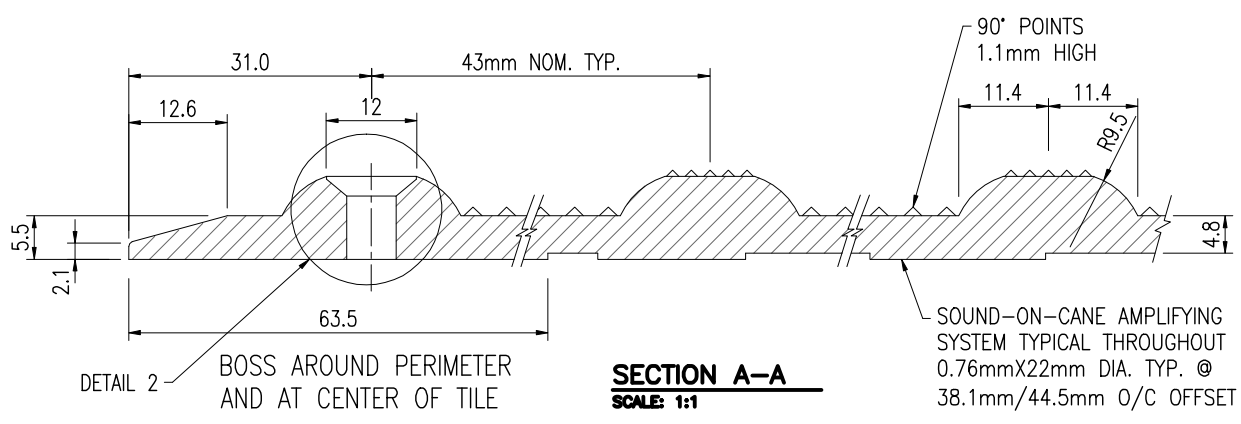
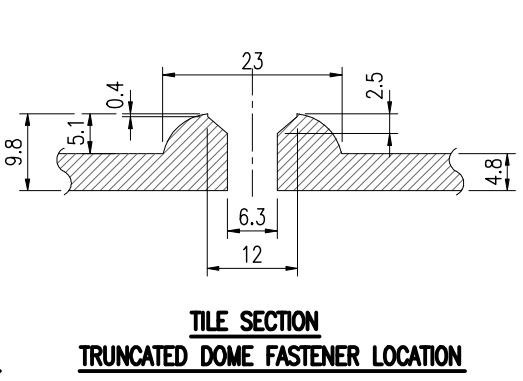
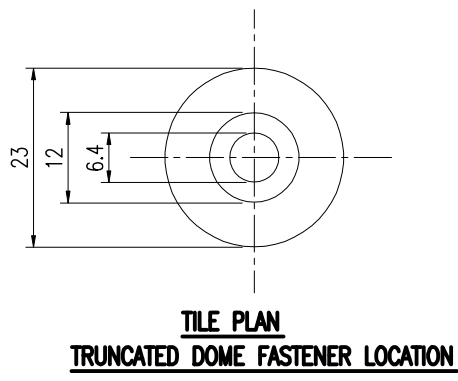
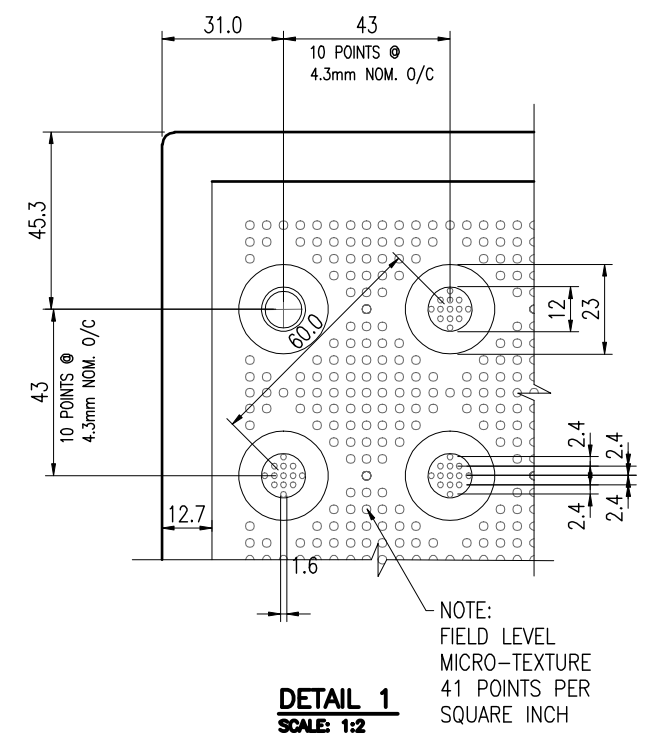
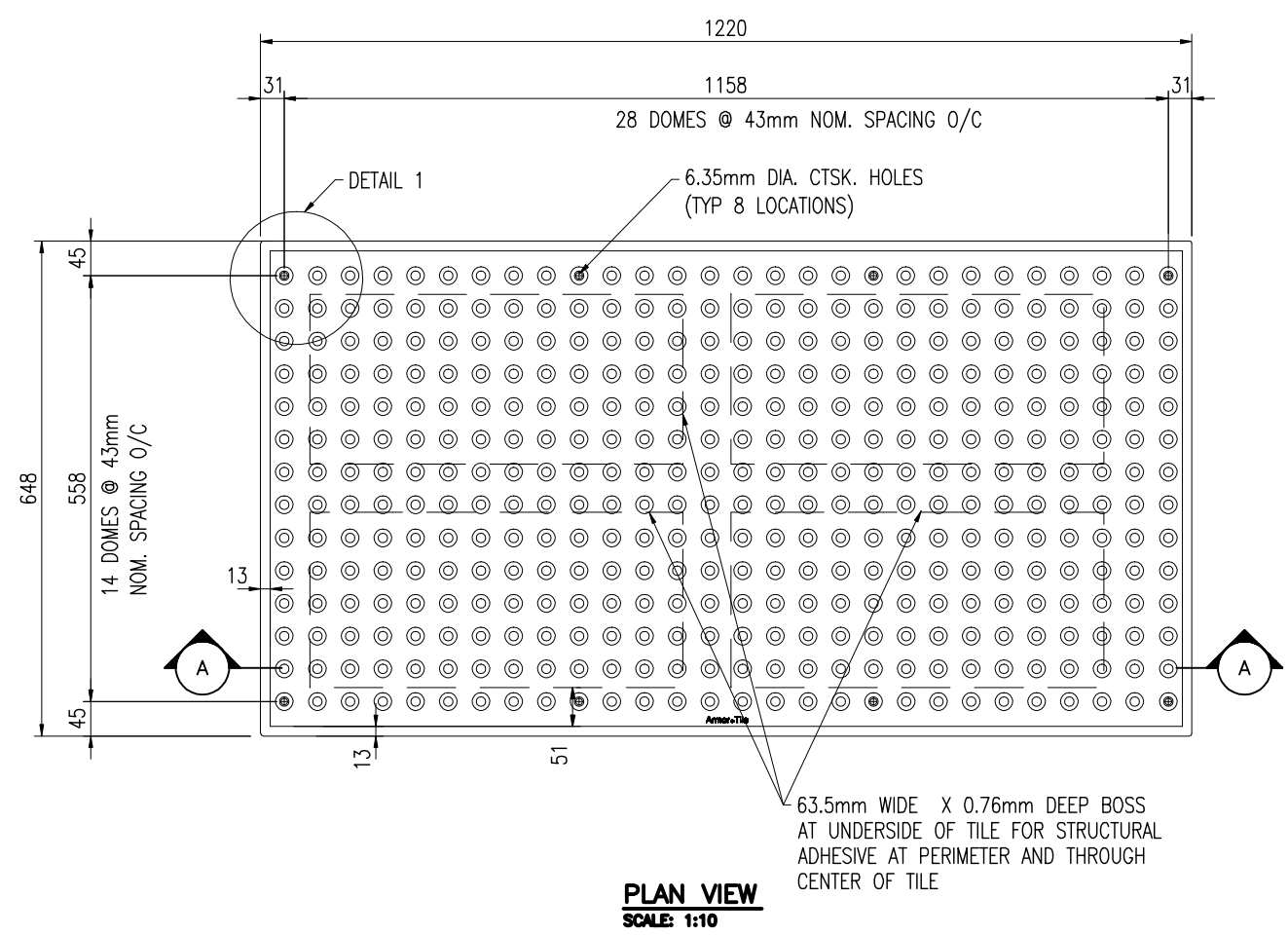
TRADE	TWSI	PART NO.	ADA-S-2448
-------	------	----------	------------

MATERIAL VITRIFIED POLYMER COMPOSITE

SUBJECT
Armor-Tile™
SOUND AMPLIFYING TACTILE
WALKING SURFACE INDICATOR TILE

PROJECT
**TACTILE WALKING SURFACE
INDICATOR TILE 648x1220 SURFACE
APPLIED INLINE DOME TACTILE TILE
PLANS AND DETAILS**

DRAWING NO.	ADA-S-2448	REV. NO.	0
-------------	------------	----------	---





ENGINEERED PRODUCTS

www.kinesik.ca

© KINESIK ENGINEERED PRODUCTS
 CONFIDENTIAL AND PROPRIETARY DOCUMENT
 ANY ONE OR MORE OF THE FOLLOWING PATENTS MAY APPLY:
 U.S. PATENT NO. 5 303 060, 5 775 635, 6 449 790, AND 6 895 622 B2.
 C.D.N. PATENT NO. 2 032 532, 2 070 064, US PATENTS PENDING.
 © KENNETH E. SZEKELY

MATERIAL LIST

ITEM	DESCRIPTION	PART NO.	QTY
1	ARMOR-TILE	ADA-S-2460	1
2	EXPANSION ANCHOR	ADA-FAST	10
3	ARMOR-BOND	ADA-ADHE-EA	1
4	ARMOR-SEAL	ADA-SEAL-EA	1

REFERENCE DRAWINGS

DWG. NO.	DESCRIPTION

No.	DATE	REVISION	APPR.

SCALE AS NOTED

DESIGNED	KES	DATE	09/15/2014
DRAWN	RWD	DATE	09/15/2014
DRAWN	KES		

PROJECT MANAGER

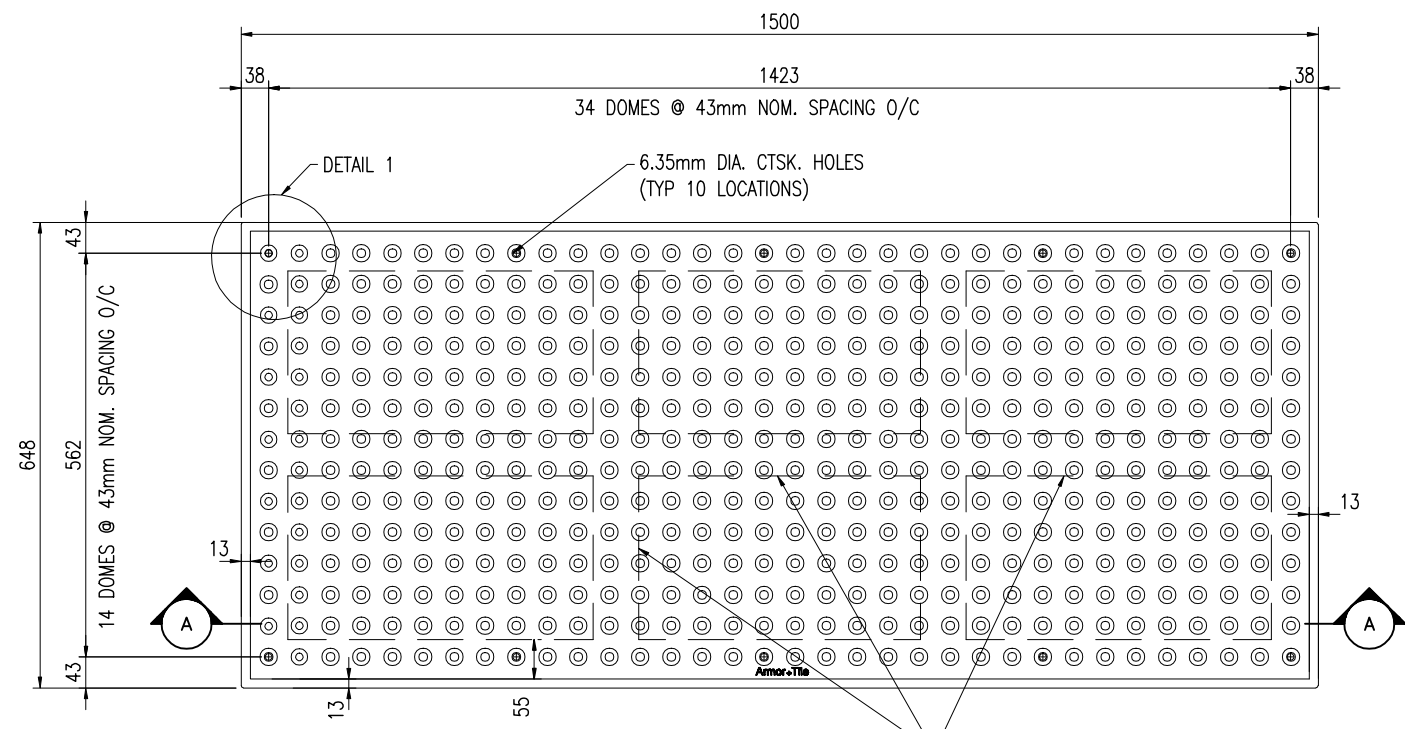
TRADE	TWSI	PART NO.	ADA-S-2460
-------	------	----------	------------

MATERIAL VITRIFIED POLYMER COMPOSITE

SUBJECT
Armor-Tile™
 SOUND AMPLIFYING TACTILE WALKING SURFACE INDICATOR TILE

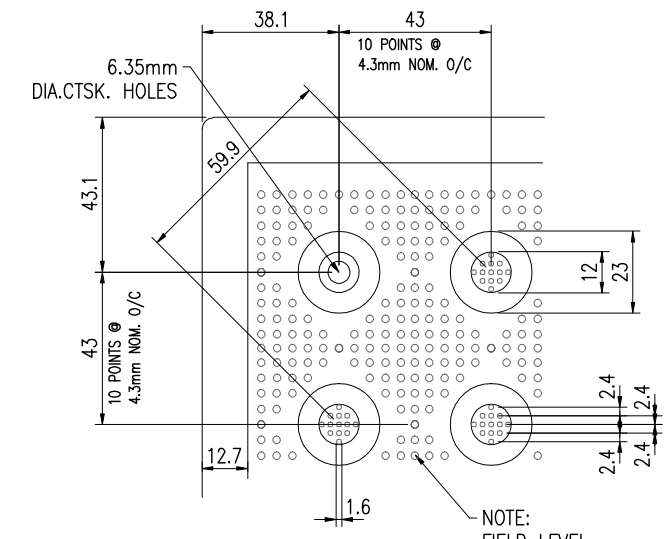
PROJECT
TACTILE WALKING SURFACE INDICATOR TILE 648x1500 SURFACE APPLIED INLINE DOME TACTILE TILE PLANS AND DETAILS

DRAWING NO.	ADA-S-2460	REV. NO.	0
-------------	------------	----------	---

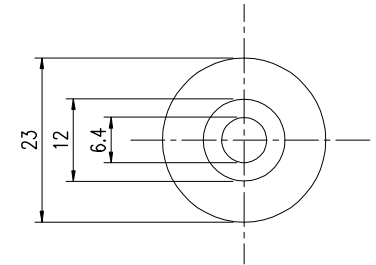


PLAN VIEW
SCALE: 1:10

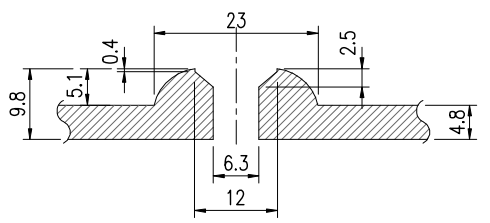
63.5mm WIDE X 0.76mm DEEP BOSS AT UNDERSIDE OF TILE FOR STRUCTURAL ADHESIVE AT PERIMETER AND THROUGH CENTER OF TILE



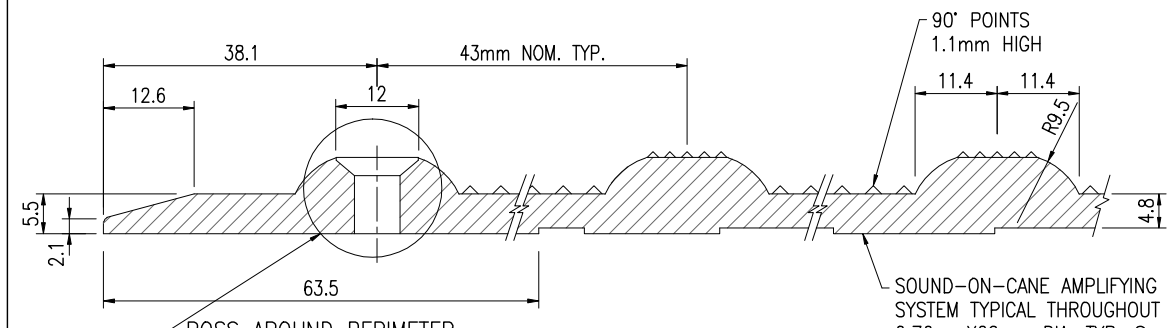
DETAIL 1
SCALE: 1:2



TILE PLAN
TRUNCATED DOME FASTENER LOCATION



TILE SECTION
TRUNCATED DOME FASTENER LOCATION



SECTION A-A
SCALE: 1:1

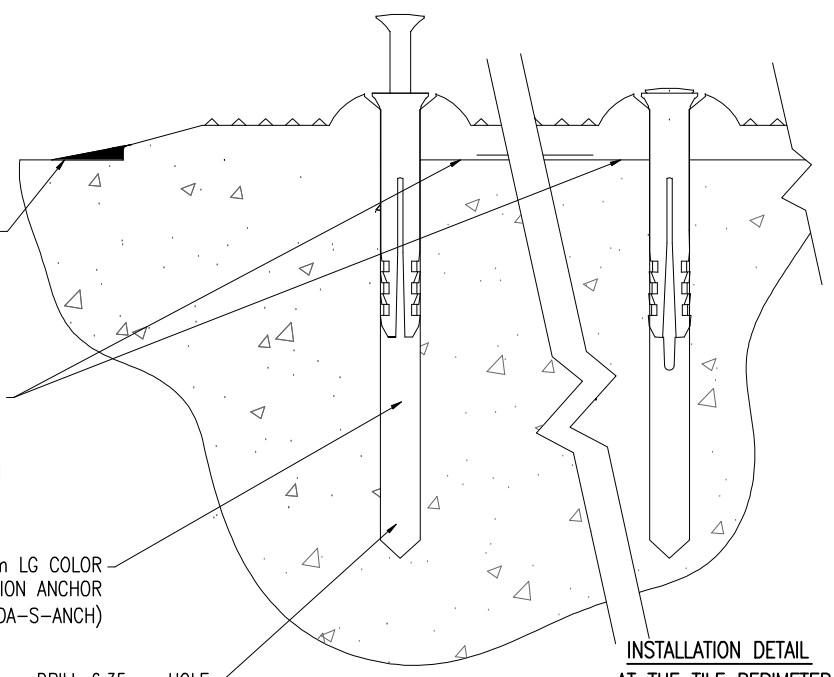
DETAIL 2 BOSS AROUND PERIMETER AND AT CENTER OF TILE

APPLY TACTILE BOND AND SEAL (PART NO. TBS-010) PERIMETER SEALANT AT PERIMETER OF TILE AFTER INSTALLING FASTENERS. TOOL SMOOTH TO BLEND TILE EDGE WITH ADJACENT SURFACE.

APPLY TACTILE BOND AND SEAL (PART NO. TBS-010) STRUCTURAL ADHESIVE AT PERIMETER AND THROUGH CENTER OF TILE EACH WAY ON BOSSED AREAS

6.35mm X 38.1mm LG COLOR MATCHED EXPANSION ANCHOR (PART NO. ADA-S-ANCH)

DRILL 6.35mm HOLE TO 89mm DEEP



INSTALLATION DETAIL
AT THE TILE PERIMETER



ENGINEERED PRODUCTS
www.kinesik.ca

© KINESIK ENGINEERED PRODUCTS
CONFIDENTIAL AND PROPRIETARY DOCUMENT
ANY ONE OR MORE OF THE FOLLOWING PATENTS MAY APPLY:
U.S. PATENT NO. 5 303 060, 5 775 635, 6 449 790, AND 6 895 622 B2.
C.D.N. PATENT NO. 2 032 532, 2 070 064,
US PATENTS PENDING.
© KENNETH E. SZEKELY

MATERIAL LIST

ITEM	DESCRIPTION	PART NO.	QTY
1	ARMOR-TILE	ADA-S-3648-W	1
2	EXPANSION ANCHOR	ADA-S-ANCH	12
3	TACTILE BOND AND SEAL	TBS-010	2

REFERENCE DRAWINGS

DWG. NO.	DESCRIPTION

No.	DATE	REVISION	APPR.

SCALE AS NOTED

DESIGNED	KES	DATE	09/15/2014
DRAWN	RWO	DATE	09/15/2014
DRAWN	KES		

PROJECT MANAGER

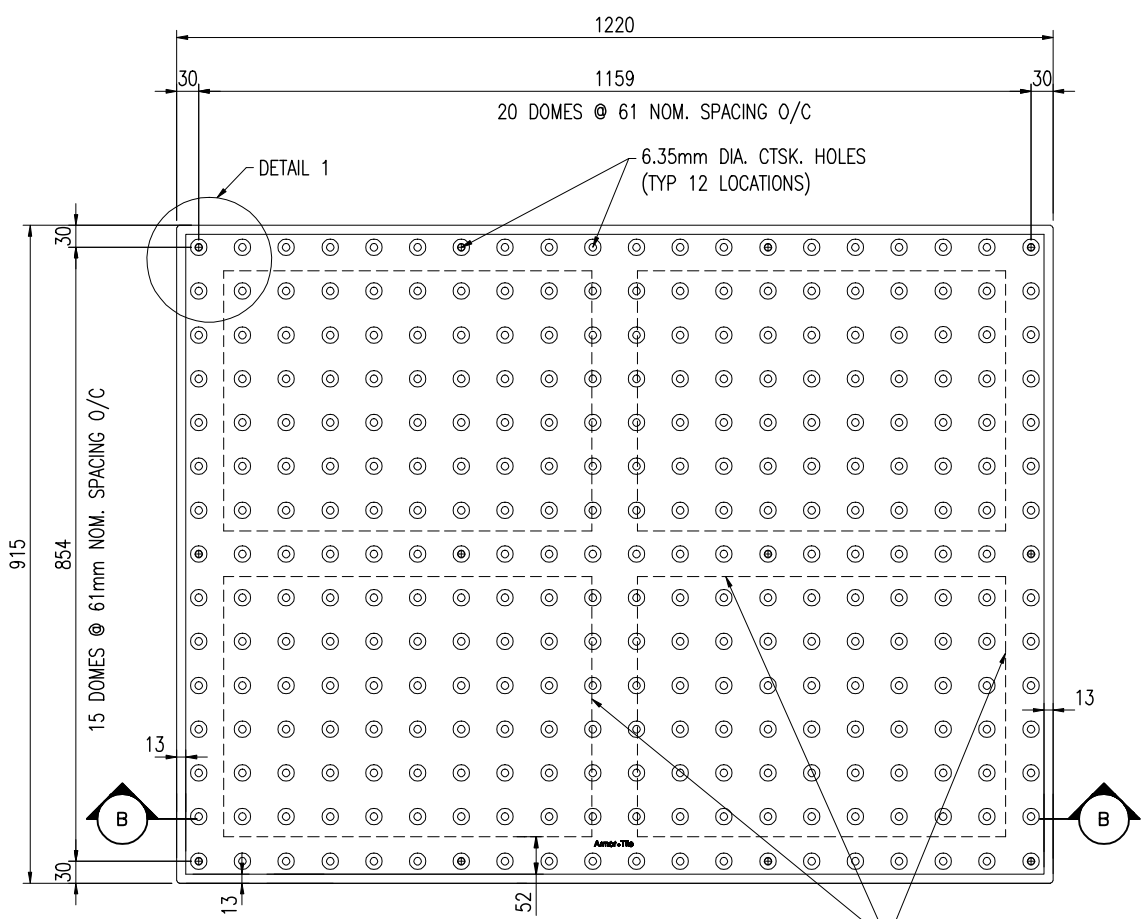
TRADE	TWSI	PART NO.	ADA-S-3648-W
-------	------	----------	--------------

MATERIAL VITRIFIED POLYMER COMPOSITE

SUBJECT
Armor-Tile™
SOUND AMPLIFYING TACTILE WALKING SURFACE INDICATOR TILE

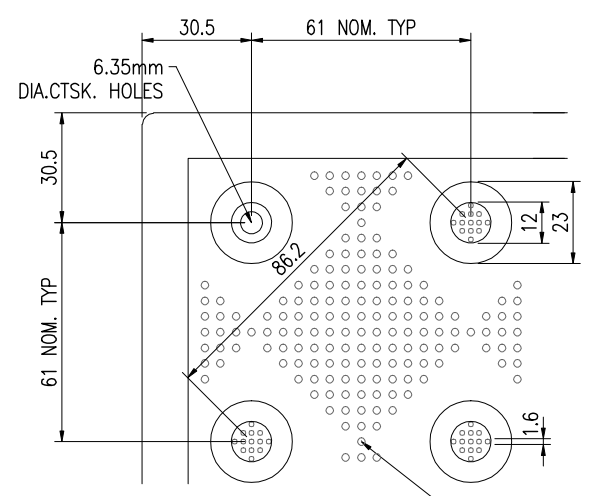
PROJECT
TACTILE WALKING SURFACE INDICATOR TILE 915X1220 SURFACE APPLIED INLINE DOME TACTILE TILE PLANS AND DETAILS

DRAWING NO.	ADA-S-3648W	REV. NO.	0
-------------	-------------	----------	---



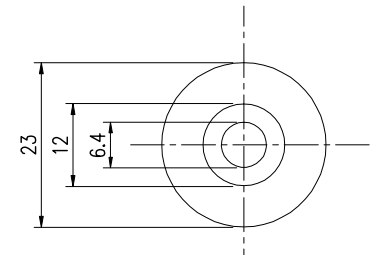
PLAN VIEW
SCALE: 1:10

63.5mm WIDE X 0.76mm DEEP BOSS AT UNDERSIDE OF TILE FOR STRUCTURAL ADHESIVE AT PERIMETER AND THROUGH CENTER OF TILE

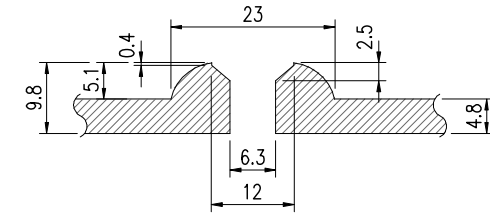


DETAIL 1
SCALE: 1:2

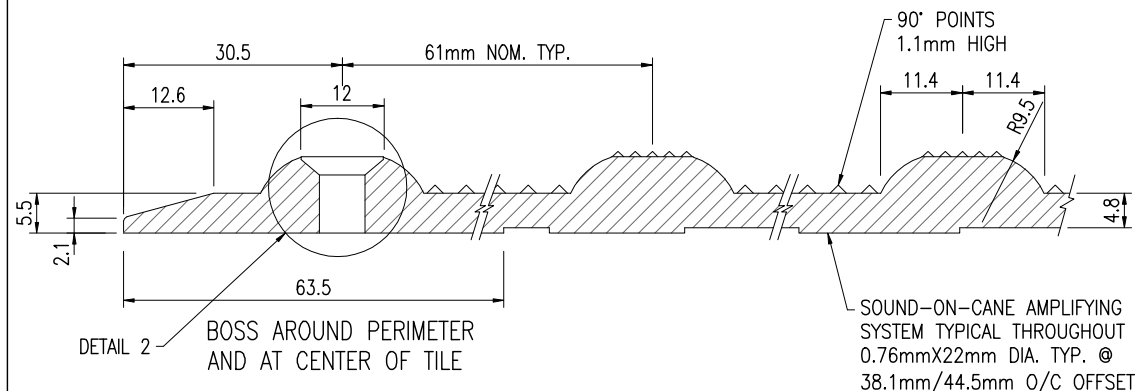
NOTE:
FIELD LEVEL MICRO-TEXTURE 36 POINTS PER SQUARE INCH



TILE PLAN
TRUNCATED DOME FASTENER LOCATION



TILE SECTION
TRUNCATED DOME FASTENER LOCATION



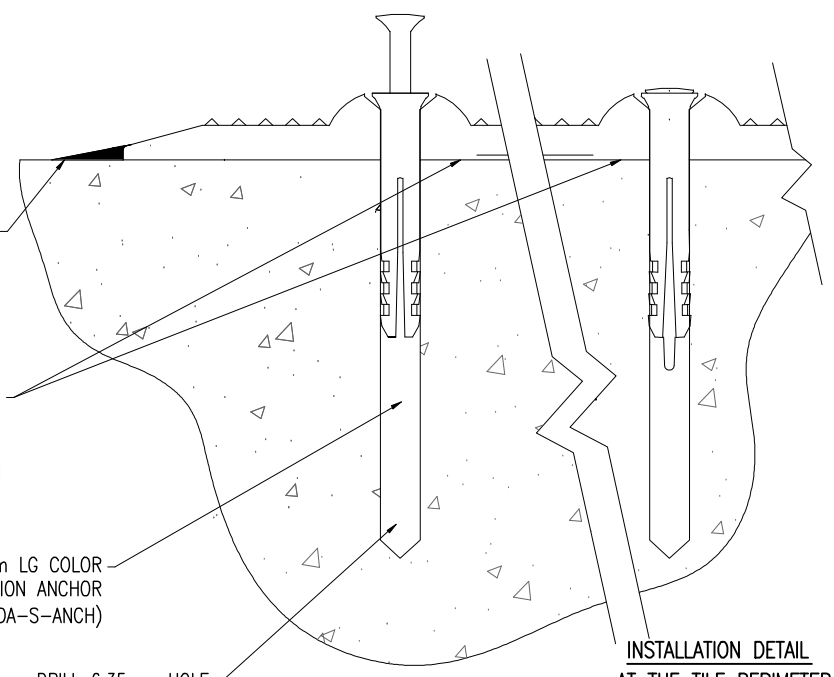
SECTION A-A
SCALE: 1:1

APPLY TACTILE BOND AND SEAL (PART NO. TBS-010) PERIMETER SEALANT AT PERIMETER OF TILE AFTER INSTALLING FASTENERS. TOOL SMOOTH TO BLEND TILE EDGE WITH ADJACENT SURFACE.

APPLY TACTILE BOND AND SEAL (PART NO. TBS-010) STRUCTURAL ADHESIVE AT PERIMETER AND THROUGH CENTER OF TILE EACH WAY ON BOSSED AREAS

6.35mm X 38.1mm LG COLOR MATCHED EXPANSION ANCHOR (PART NO. ADA-S-ANCH)

DRILL 6.35mm HOLE TO 89mm DEEP



INSTALLATION DETAIL
AT THE TILE PERIMETER



ENGINEERED PRODUCTS
www.kinesik.ca

© KINESIK ENGINEERED PRODUCTS
CONFIDENTIAL AND PROPRIETARY DOCUMENT
ANY ONE OR MORE OF THE FOLLOWING PATENTS MAY APPLY:
U.S. PATENT NO. 5 303 060, 5 775 635, 6 449 790, AND 6 895 622 B2.
C.D.N. PATENT NO. 2 032 532, 2 070 064, US PATENTS PENDING.
© KENNETH E. SZEKELY

MATERIAL LIST

ITEM	DESCRIPTION	PART NO.	QTY
1	ARMOR-TILE	ADA-S-3660-W	1
2	EXPANSION ANCHOR	ADA-S-ANCH	15
3	TACTILE BOND AND SEAL	TBS-010	2

REFERENCE DRAWINGS

DWG. NO.	DESCRIPTION

No.	DATE	REVISION	APPR.

SCALE AS NOTED

DESIGNED	KES	DATE	09/15/2014
DRAWN	RWO	DATE	09/15/2014
DRAWN	KES		

PROJECT MANAGER

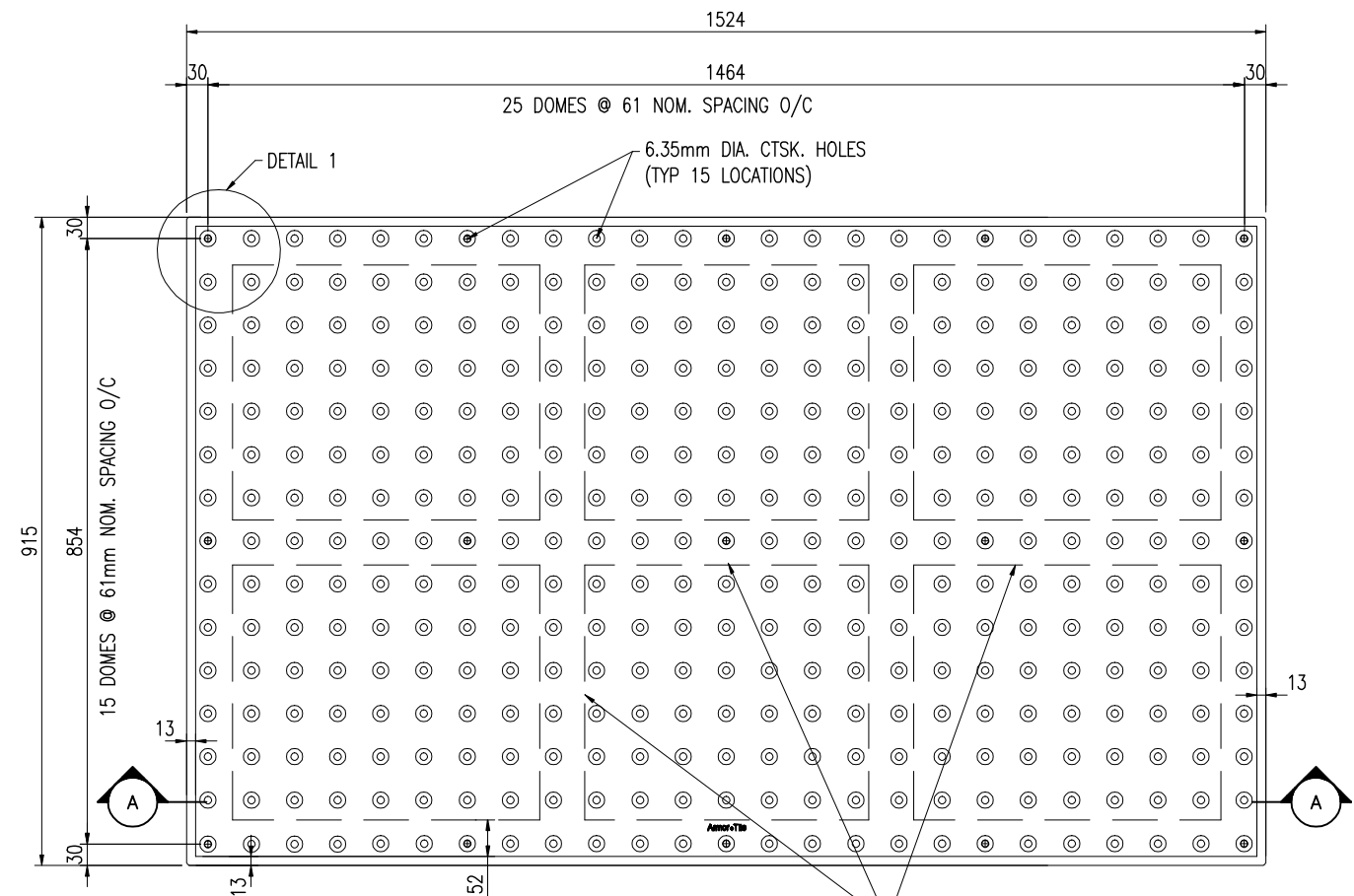
TRADE	TWSI	PART NO.	ADA-S-3660-W
-------	------	----------	--------------

MATERIAL VITRIFIED POLYMER COMPOSITE

SUBJECT
Armor-Tile™
SOUND AMPLIFYING TACTILE WALKING SURFACE INDICATOR TILE

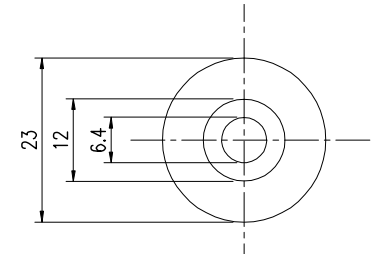
PROJECT
TACTILE WALKING SURFACE INDICATOR TILE 915X1524 SURFACE APPLIED INLINE DOME TACTILE TILE PLANS AND DETAILS

DRAWING NO.	ADA-S-3660W	REV. NO.	0
-------------	-------------	----------	---

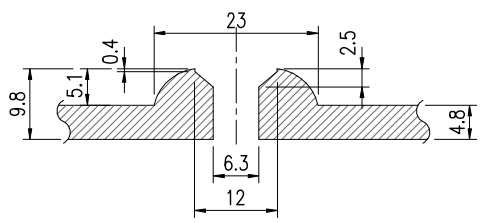


PLAN VIEW
SCALE: 1:10

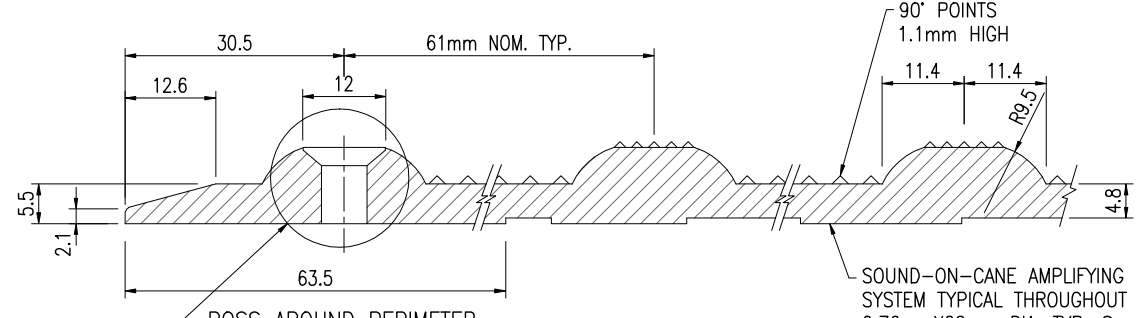
63.5mm WIDE X 0.76mm DEEP BOSS AT UNDERSIDE OF TILE FOR STRUCTURAL ADHESIVE AT PERIMETER AND THROUGH CENTER OF TILE



TILE PLAN
TRUNCATED DOME FASTENER LOCATION



TILE SECTION
TRUNCATED DOME FASTENER LOCATION



SECTION A-A
SCALE: 1:1

DETAIL 2 BOSS AROUND PERIMETER AND AT CENTER OF TILE

APPLY TACTILE BOND AND SEAL (PART NO. TBS-010) PERIMETER SEALANT AT PERIMETER OF TILE AFTER INSTALLING FASTENERS. TOOL SMOOTH TO BLEND TILE EDGE WITH ADJACENT SURFACE.

APPLY TACTILE BOND AND SEAL (PART NO. TBS-010) STRUCTURAL ADHESIVE AT PERIMETER AND THROUGH CENTER OF TILE EACH WAY ON BOSSED AREAS

6.35mm X 38.1mm LG COLOR MATCHED EXPANSION ANCHOR (PART NO. ADA-S-ANCH)

DRILL 6.35mm HOLE TO 89mm DEEP

