



ENGINEERED PRODUCTS
www.kinesik.ca

© KINESIK ENGINEERED PRODUCTS
CONFIDENTIAL AND PROPRIETARY DOCUMENT
ANY ONE OR MORE OF THE FOLLOWING PATENTS MAY APPLY:
U.S. PATENT NO. 5 303 060, 5 775 635, 6 449 790, AND 6 895 622 B2.
C.D.N. PATENT NO. 2 032 532, 2 070 064, US PATENTS PENDING.
© KENNETH E. SZEKELY

MATERIAL LIST

ITEM	DESCRIPTION	PART NO.	QTY
1	ARMOR-TILE	ADA-C-1212	1

REFERENCE DRAWINGS

DWG. NO.	DESCRIPTION

No.	DATE	REVISION	APPR.

SCALE AS NOTED

DESIGNED	KES	DATE	09/15/2014
DRAWN	RWO		09/15/2014
DRAWN	KES		

PROJECT MANAGER

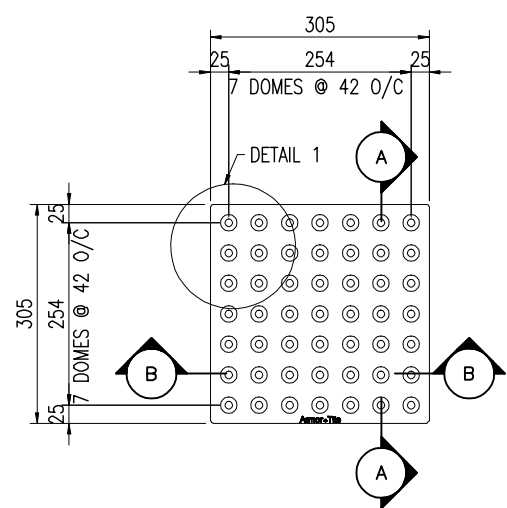
TRADE	TWSI	PART NO.	ADA-C-1212
-------	------	----------	------------

MATERIAL VITRIFIED POLYMER COMPOSITE

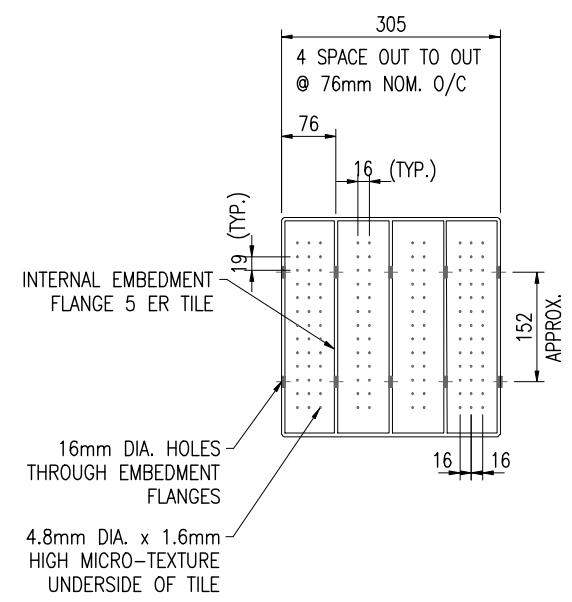
SUBJECT
Armor-Tile™
SOUND AMPLIFYING TACTILE WALKING SURFACE INDICATOR TILE

PROJECT
TACTILE WALKING SURFACE INDICATOR TILE 305X305 CAST IN PLACE INLINE DOME TACTILE TILE PLANS AND DETAILS

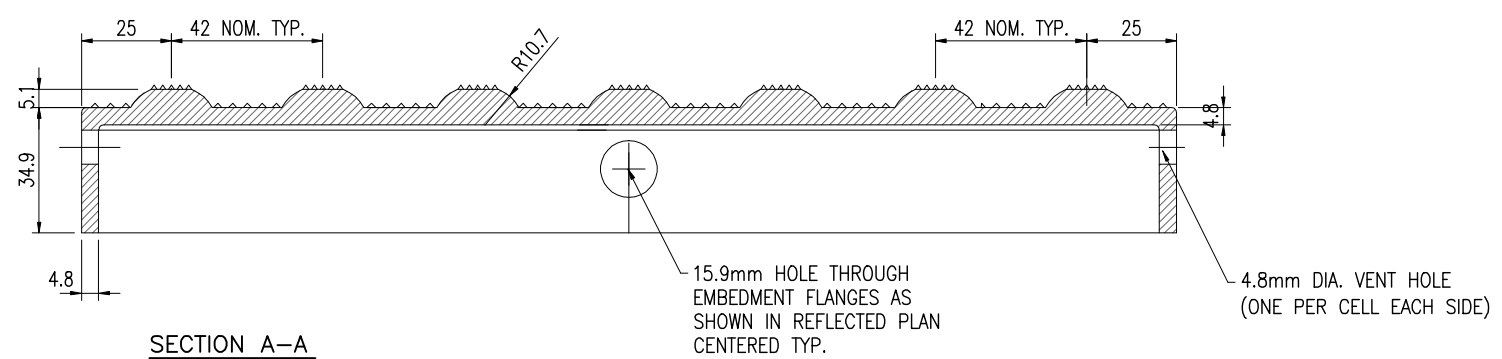
DRAWING NO.	ADA-C-1212	REV. NO.	0
-------------	------------	----------	---



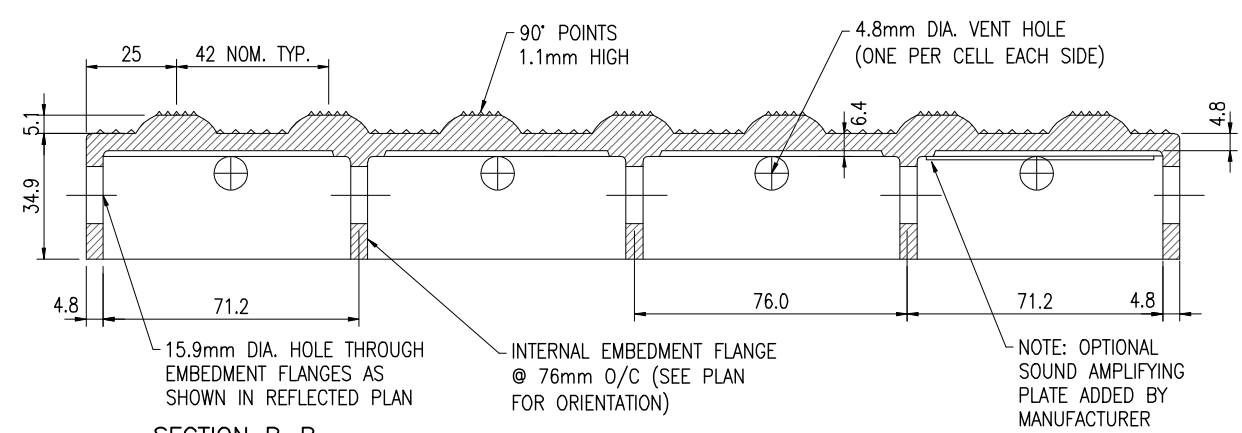
PLAN VIEW
SCALE: 1:10



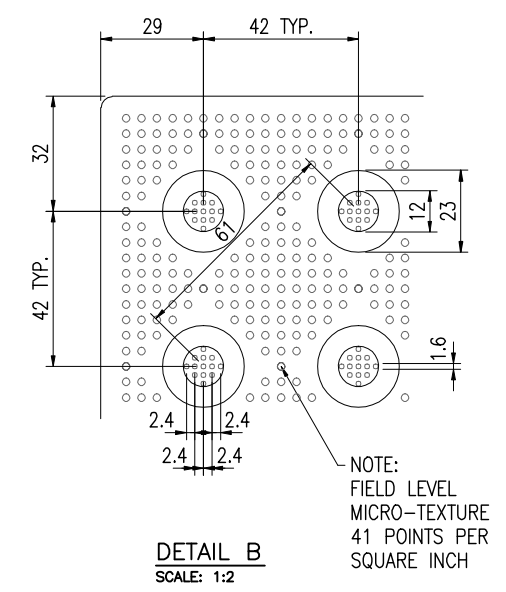
REFLECTED PLAN VIEW
SCALE: 1:10



SECTION A-A
SCALE: 1:2



SECTION B-B
SCALE: 1:2



DETAIL B
SCALE: 1:2



ENGINEERED PRODUCTS

www.kinesik.ca

© KINESIK ENGINEERED PRODUCTS
 CONFIDENTIAL AND PROPRIETARY DOCUMENT
 ANY ONE OR MORE OF THE FOLLOWING PATENTS MAY APPLY:
 U.S. PATENT NO. 5 303 060, 5 775 835, 6 449 790, AND
 6 895 622 BS,
 C.D.N. PATENT NO. 2 032 532, 2 070 984,
 US PATENTS PENDING.
 © KENNETH E. SZEKELY

MATERIAL LIST

ITEM	DESCRIPTION	PART NO.	QTY
1	ARMOR-TILE	ADA-C-2424	1

REFERENCE DRAWINGS

DWG. NO.	DESCRIPTION

No.	DATE	REVISION	APPR.

SCALE AS NOTED

DESIGNED	KES	DATE	09/15/2014
DRAWN	RWO	DATE	09/15/2014
DRAWN	KES		

PROJECT MANAGER

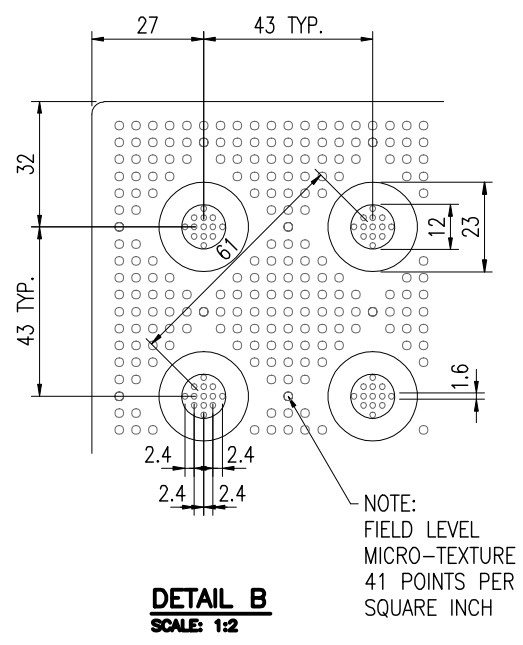
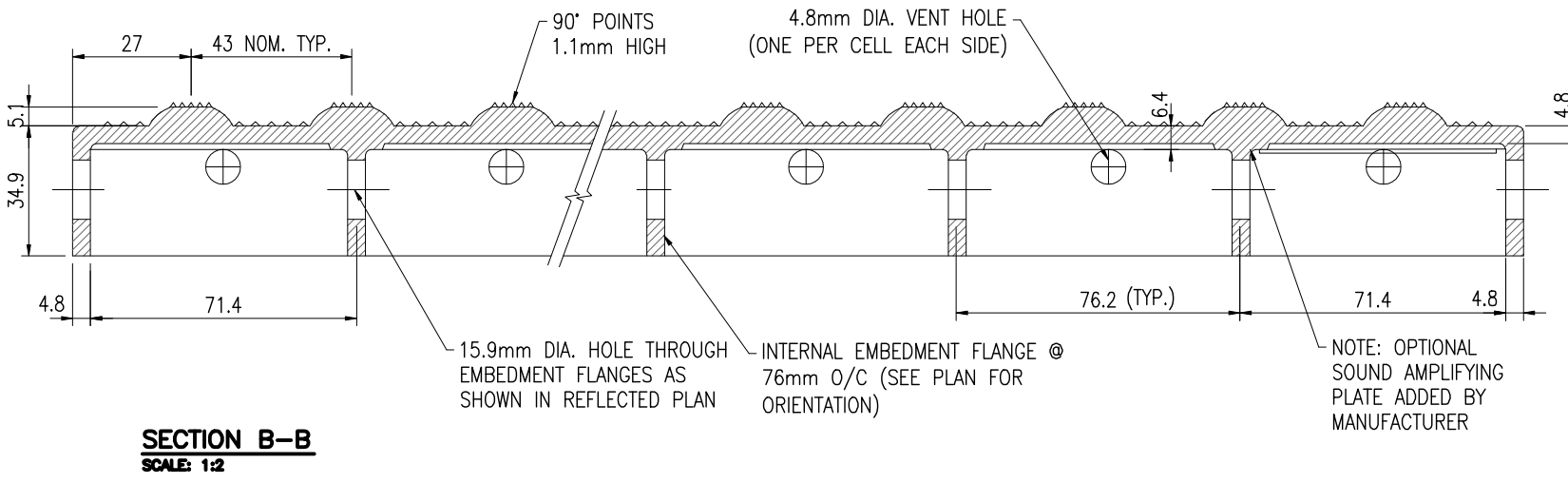
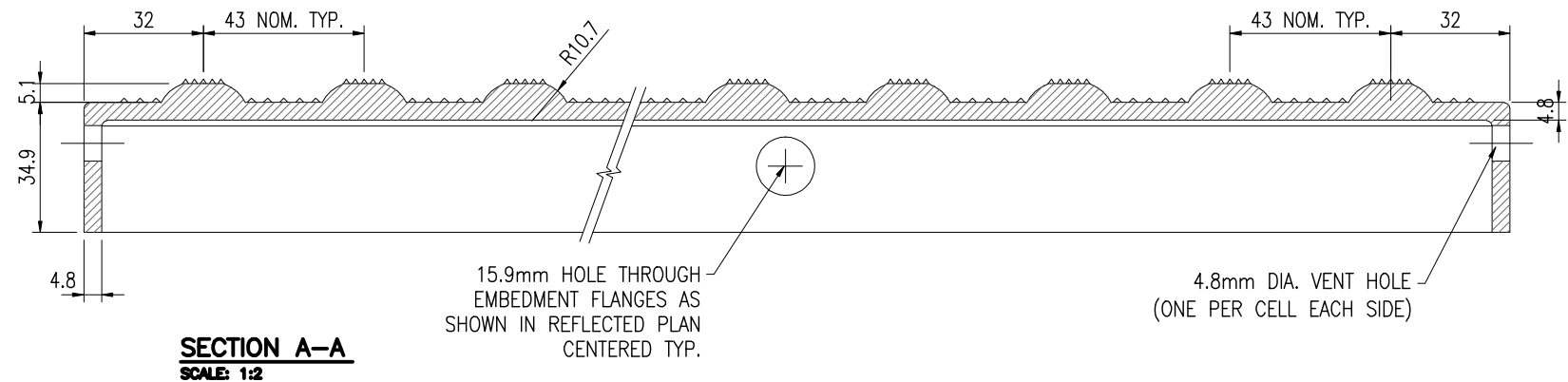
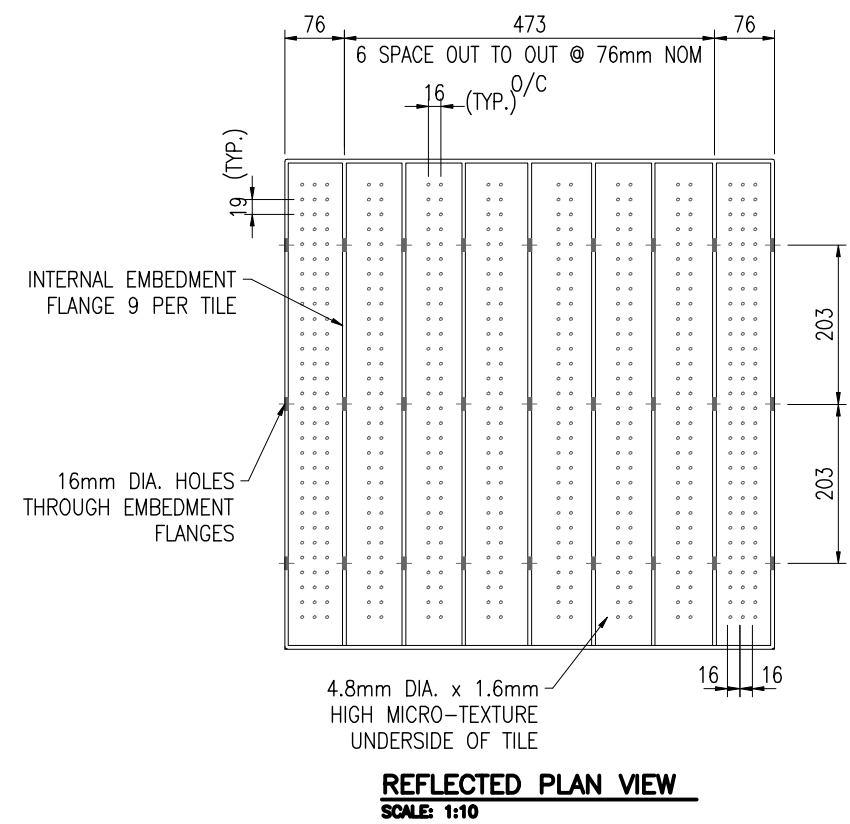
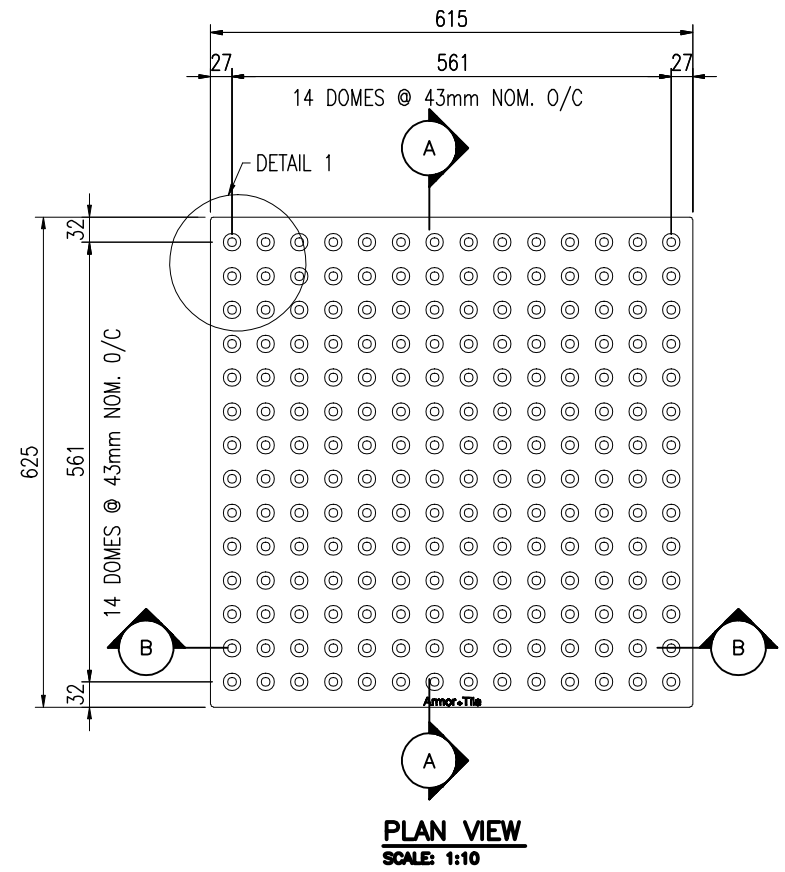
TRADE	TWSI	PART NO.	ADA-C-2424
-------	------	----------	------------

MATERIAL VITRIFIED POLYMER COMPOSITE

SUBJECT
Armor-Tile™
 SOUND AMPLIFYING TACTILE
 WALKING SURFACE INDICATOR TILE

PROJECT
**TACTILE WALKING SURFACE
 INDICATOR TILE 625X625 CAST IN
 PLACE INLINE DOME TACTILE
 TILE PLANS AND DETAILS**

DRAWING NO.	ADA-C-2424	REV. NO.	0
-------------	------------	----------	---





ENGINEERED PRODUCTS

www.kinesik.ca

© KINESIK ENGINEERED PRODUCTS
 CONFIDENTIAL AND PROPRIETARY DOCUMENT
 ANY ONE OR MORE OF THE FOLLOWING PATENTS MAY APPLY:
 U.S. PATENT NO. 5 303 069, 5 775 835, 6 449 790, AND 6 895 622 BS,
 C.D.N. PATENT NO. 2 032 532, 2 070 984,
 US PATENTS PENDING.
 © KENNETH E. SZEKELY

MATERIAL LIST

ITEM	DESCRIPTION	PART NO.	QTY
1	ARMOR-TILE	ADA-C-2436	1

REFERENCE DRAWINGS

DWG. NO.	DESCRIPTION

No.	DATE	REVISION	APPR.

SCALE AS NOTED

DESIGNED	KES	DATE	09/15/2014
DRAWN	RWO	DATE	09/15/2014
DRAWN	KES		

PROJECT MANAGER

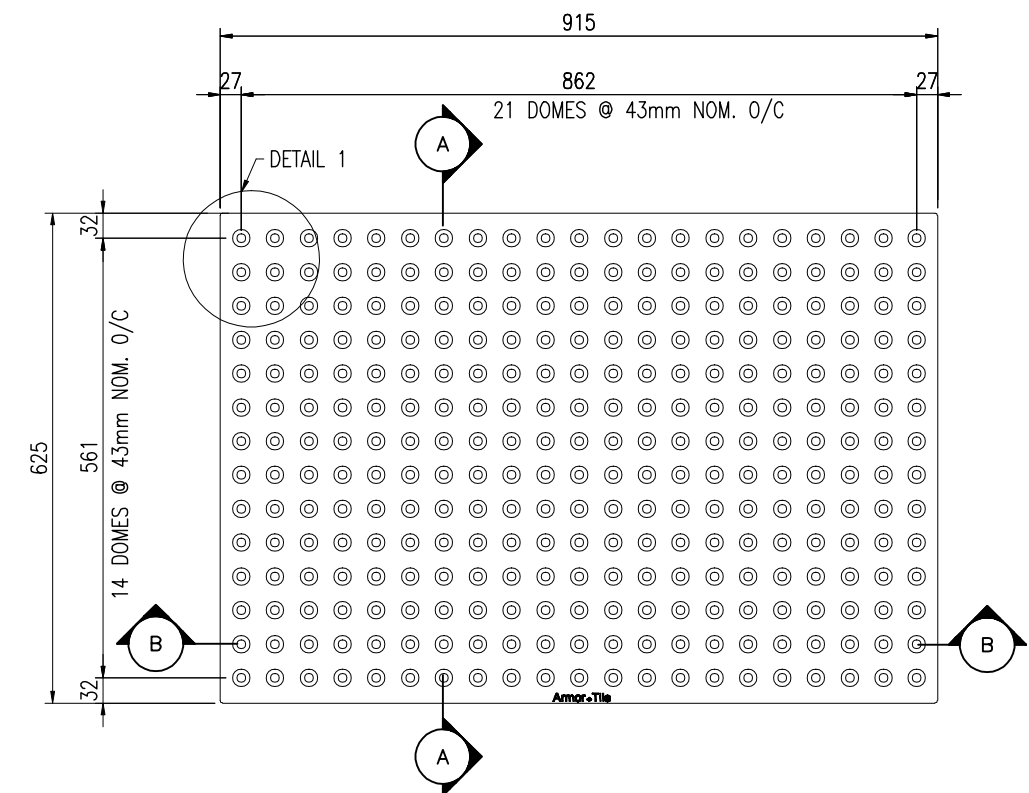
TRADE	TWSI	PART NO.	ADA-C-2436
-------	------	----------	------------

MATERIAL VITRIFIED POLYMER COMPOSITE

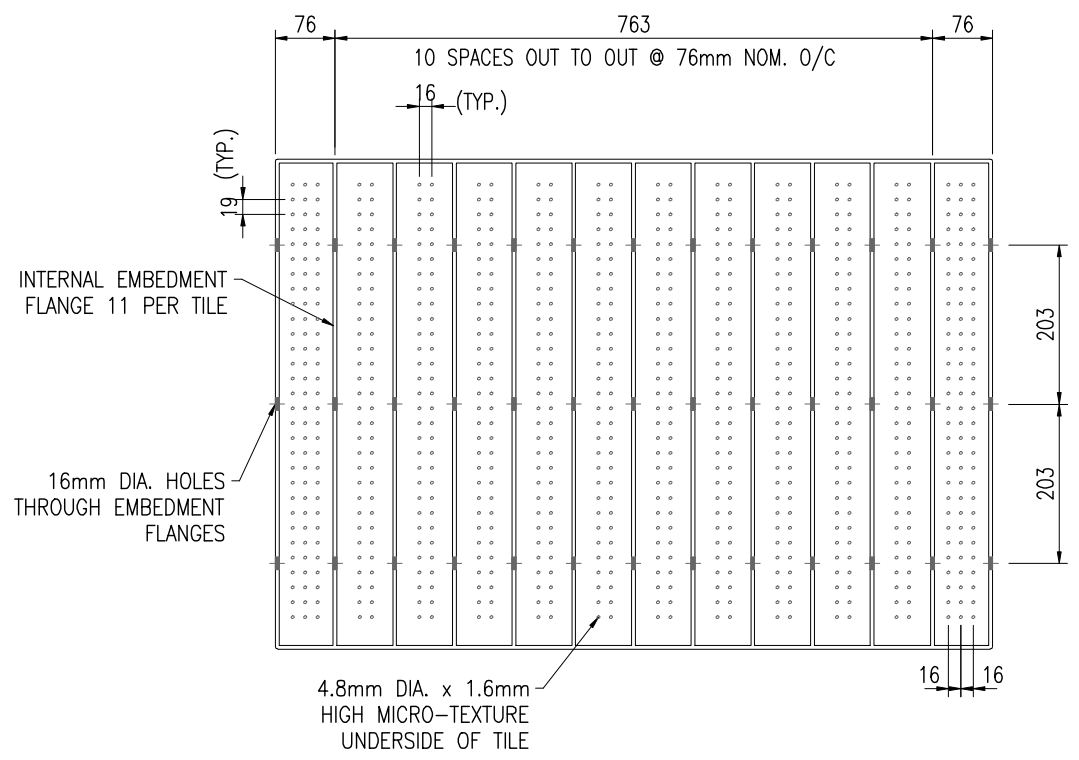
SUBJECT
Armor-Tile™
 SOUND AMPLIFYING TACTILE WALKING SURFACE INDICATOR TILE

PROJECT
TACTILE WALKING SURFACE INDICATOR TILE 625X915 CAST IN PLACE INLINE DOME TACTILE TILE PLANS AND DETAILS

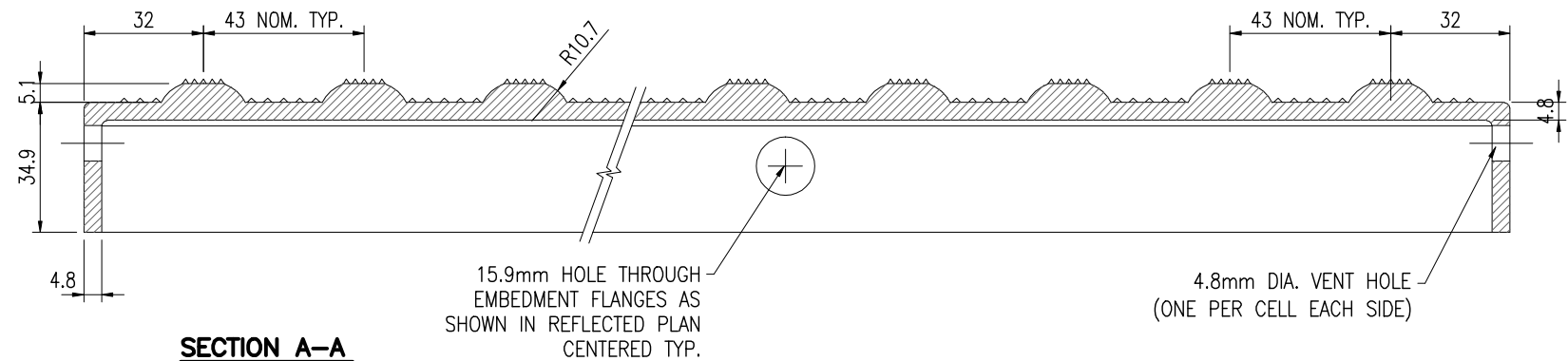
DRAWING NO.	ADA-C-2436	REV. NO.	0
-------------	------------	----------	---



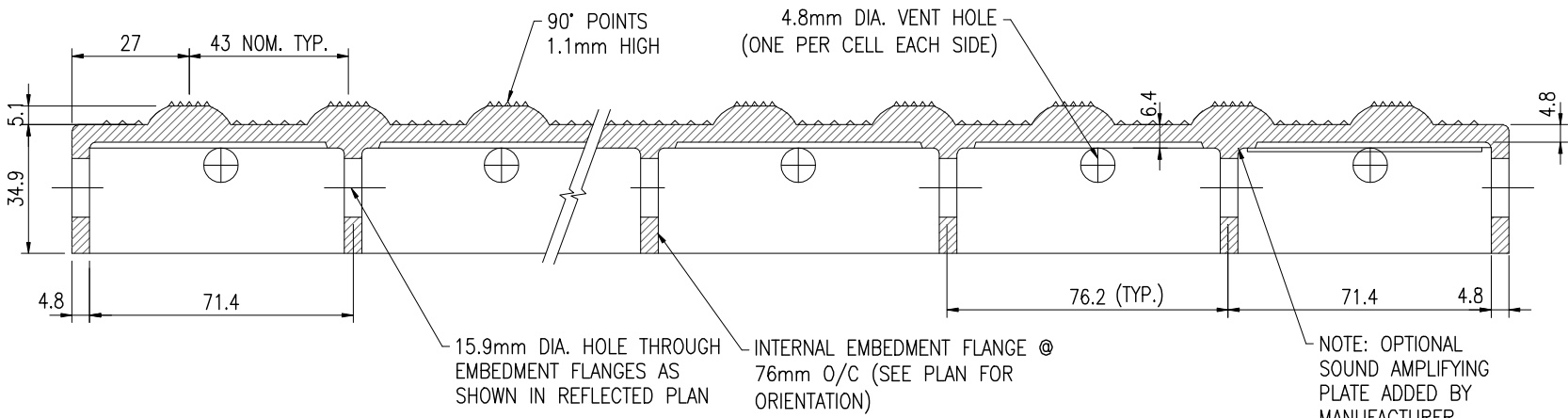
PLAN VIEW
SCALE: 1:10



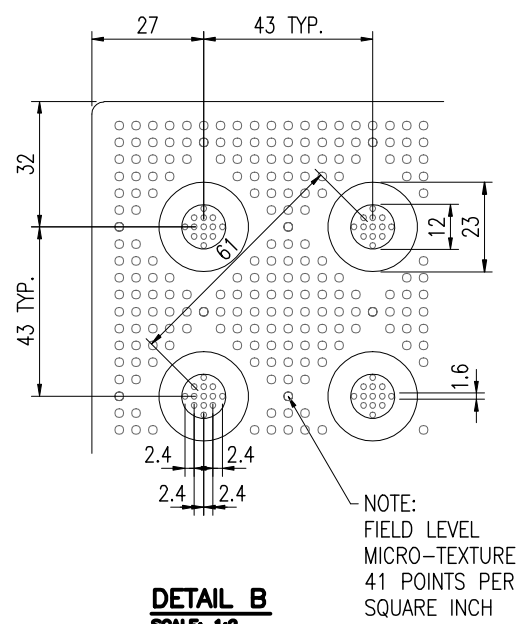
REFLECTED PLAN VIEW
SCALE: 1:10



SECTION A-A
SCALE: 1:2

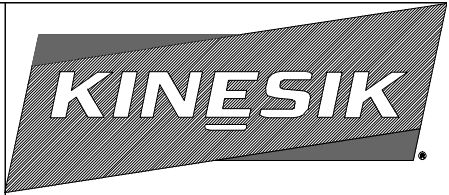


SECTION B-B
SCALE: 1:2



DETAIL B
SCALE: 1:2

NOTE:
FIELD LEVEL
MICRO-TEXTURE
41 POINTS PER
SQUARE INCH



ENGINEERED PRODUCTS

www.kinesik.ca

© KINESIK ENGINEERED PRODUCTS
 CONFIDENTIAL AND PROPRIETARY DOCUMENT
 ANY ONE OR MORE OF THE FOLLOWING PATENTS MAY APPLY:
 U.S. PATENT NO. 5 303 069, 5 775 835, 6 449 790, AND 6 895 622 BS,
 C.D.N. PATENT NO. 2 032 532, 2 070 984,
 US PATENTS PENDING.
 © KENNETH E. SZEKELY

MATERIAL LIST

ITEM	DESCRIPTION	PART NO.	QTY
1	ARMOR-TILE	ADA-C-2448	1

REFERENCE DRAWINGS

DWG. NO.	DESCRIPTION

No.	DATE	REVISION	APPR.

SCALE AS NOTED

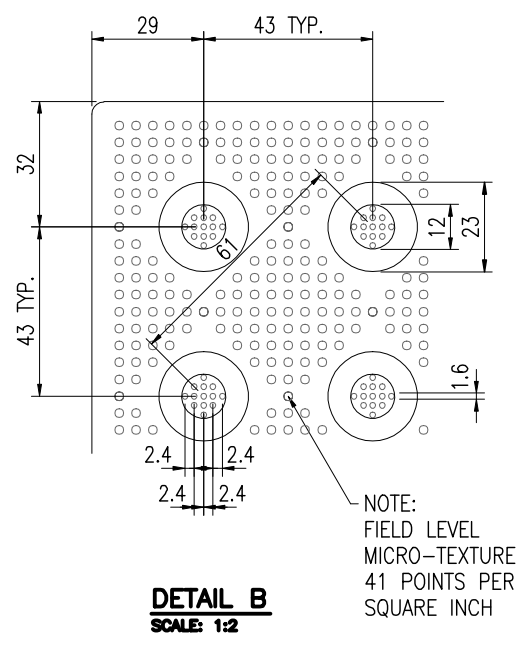
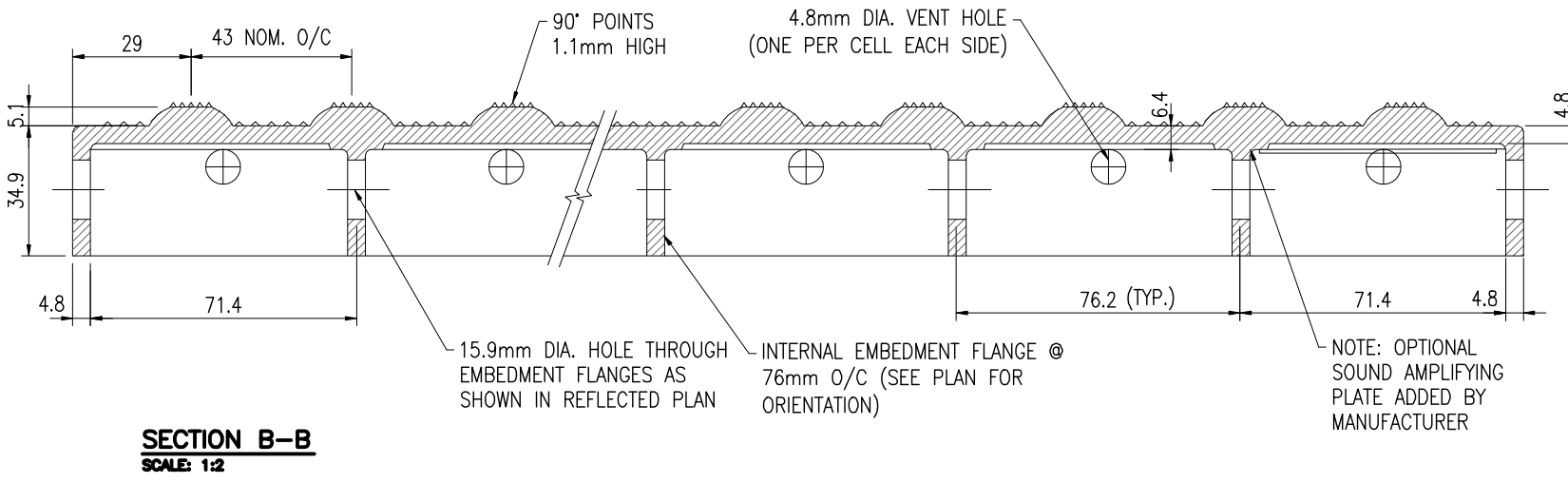
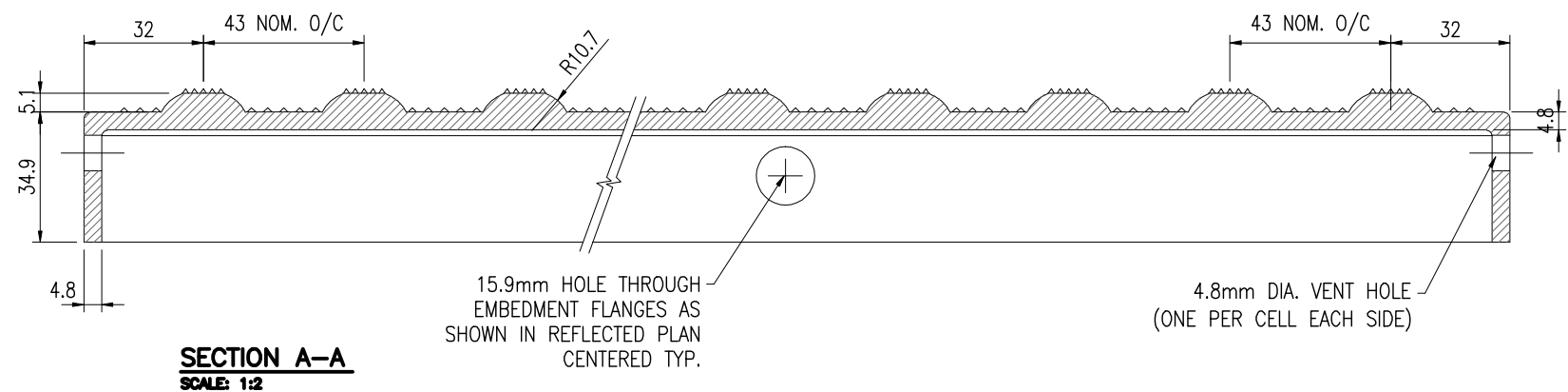
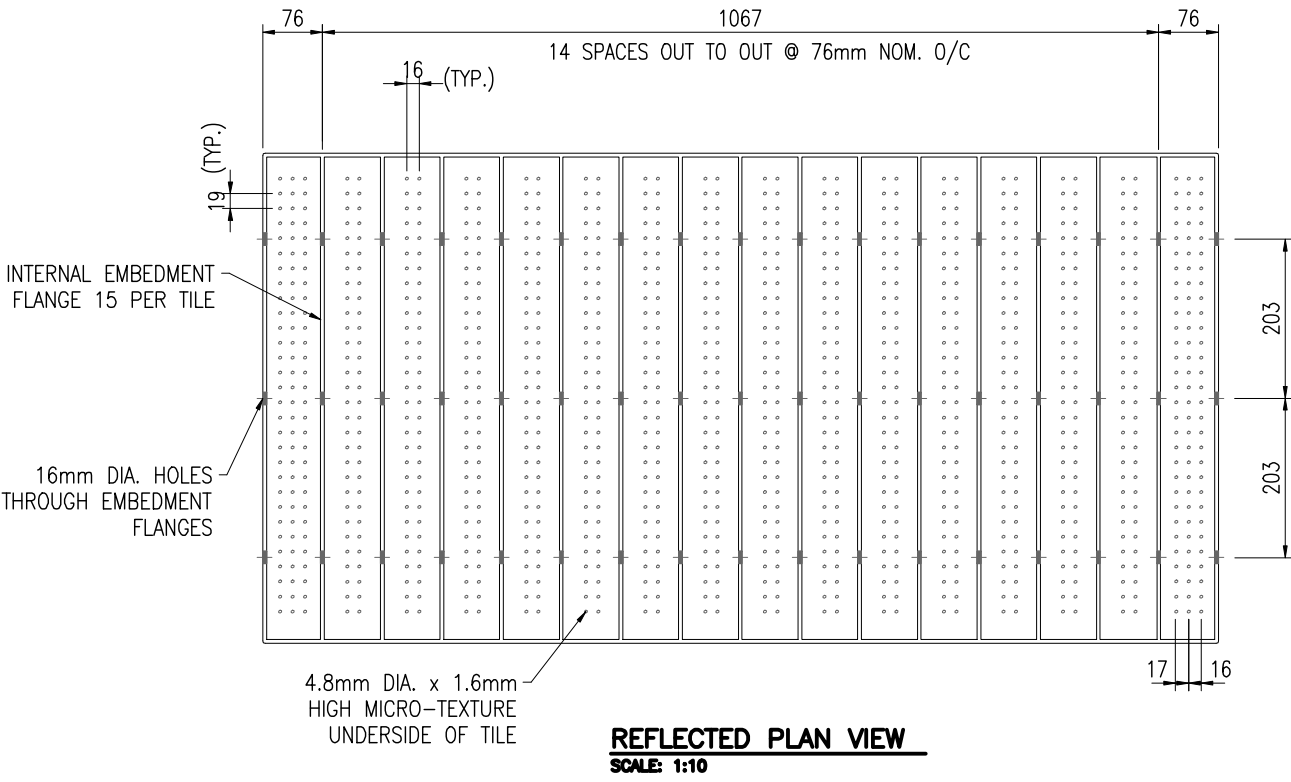
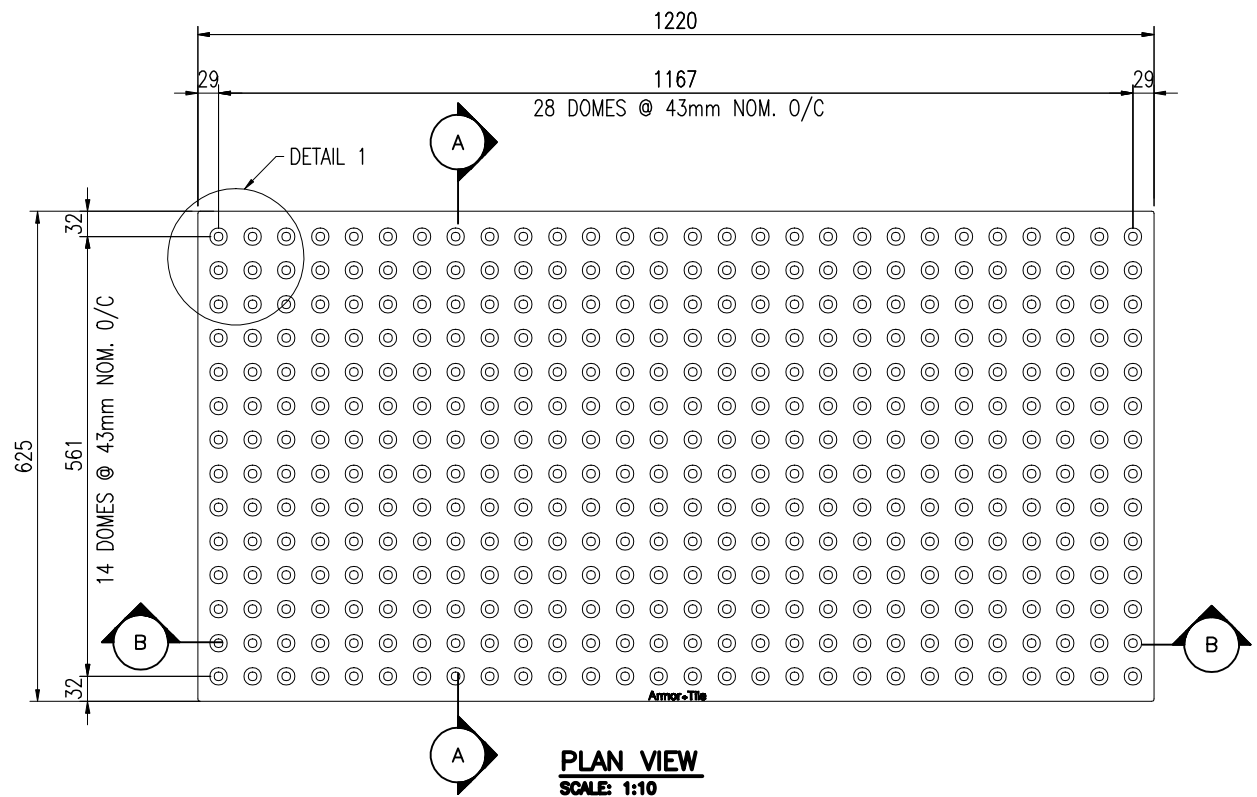
DESIGNED	KES	DATE	09/15/2014
DRAWN	RWO	DATE	09/15/2014
DRAWN	KES		

PROJECT MANAGER	
TRADE	TWSI
PART NO.	ADA-C-2448
MATERIAL	VITRIFIED POLYMER COMPOSITE

SUBJECT
Armor-Tile™
 SOUND AMPLIFYING TACTILE WALKING SURFACE INDICATOR TILE

PROJECT
TACTILE WALKING SURFACE INDICATOR TILE 625X1220 CAST IN PLACE INLINE DOME TACTILE TILE PLANS AND DETAILS

DRAWING NO.	ADA-C-2448	REV. NO.	0
-------------	------------	----------	---





ENGINEERED PRODUCTS

www.kinesik.ca

© KINESIK ENGINEERED PRODUCTS
 CONFIDENTIAL AND PROPRIETARY DOCUMENT
 ANY ONE OR MORE OF THE FOLLOWING PATENTS MAY APPLY:
 U.S. PATENT NO. 5 303 060, 5 775 035, 6 449 790, AND 6 895 622 B2,
 C.D.N. PATENT NO. 2 032 532, 2 070 064,
 US PATENTS PENDING.
 © KENNETH E. SZEKELY

MATERIAL LIST

ITEM	DESCRIPTION	PART NO.	QTY
1	ARMOR-TILE	ADA-C-2460	1

REFERENCE DRAWINGS

DWG. NO.	DESCRIPTION

No.	DATE	REVISION	APPR.

SCALE AS NOTED

DESIGNED	KES	DATE	09/15/2014
DRAWN	RWO	DATE	09/15/2014
DRAWN	KES		

PROJECT MANAGER

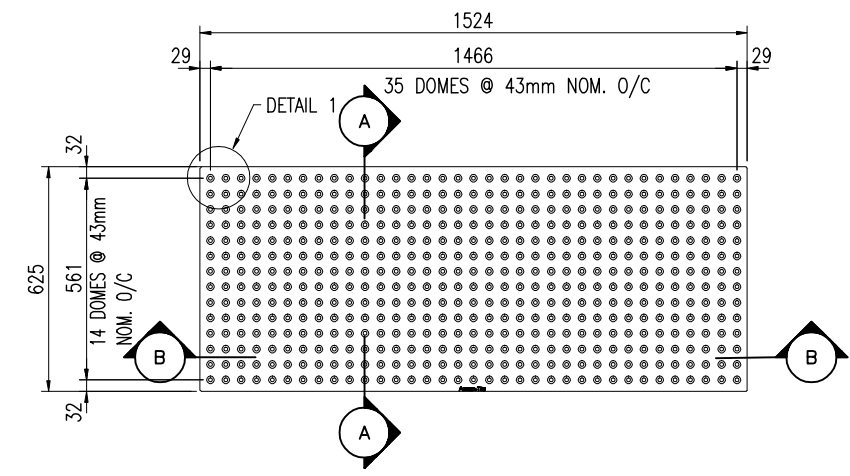
TRADE	TWSI	PART NO.	ADA-C-2460
-------	------	----------	------------

MATERIAL VITRIFIED POLYMER COMPOSITE

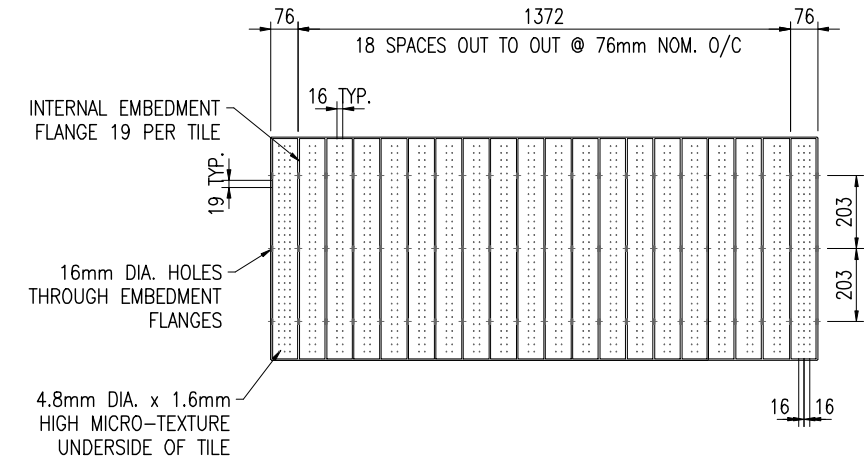
SUBJECT
Armor-Tile™
 SOUND AMPLIFYING TACTILE WALKING SURFACE INDICATOR TILE

PROJECT
TACTILE WALKING SURFACE INDICATOR TILE 625X1524 CAST IN PLACE INLINE DOME TACTILE TILE PLANS AND DETAILS

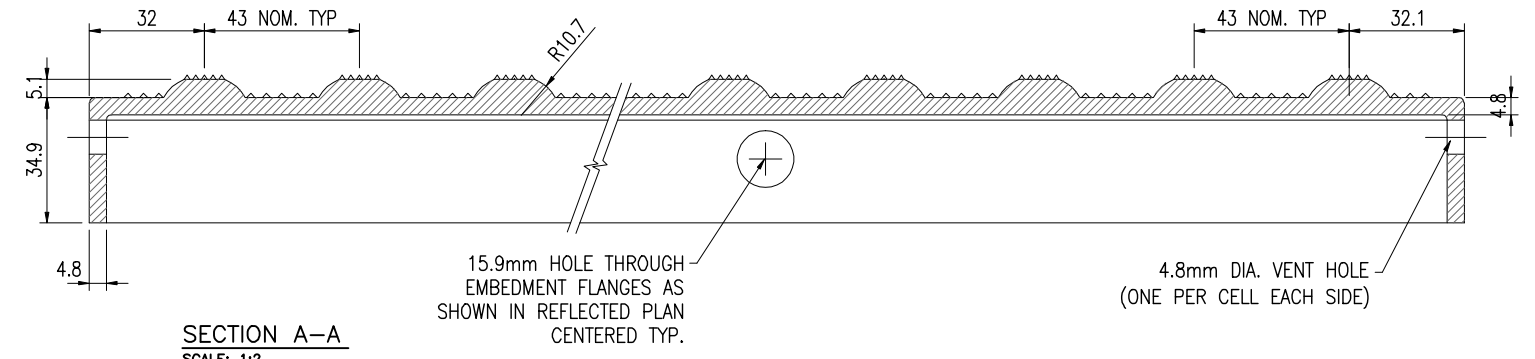
DRAWING NO.	ADA-C-2460	REV. NO.	0
-------------	------------	----------	---



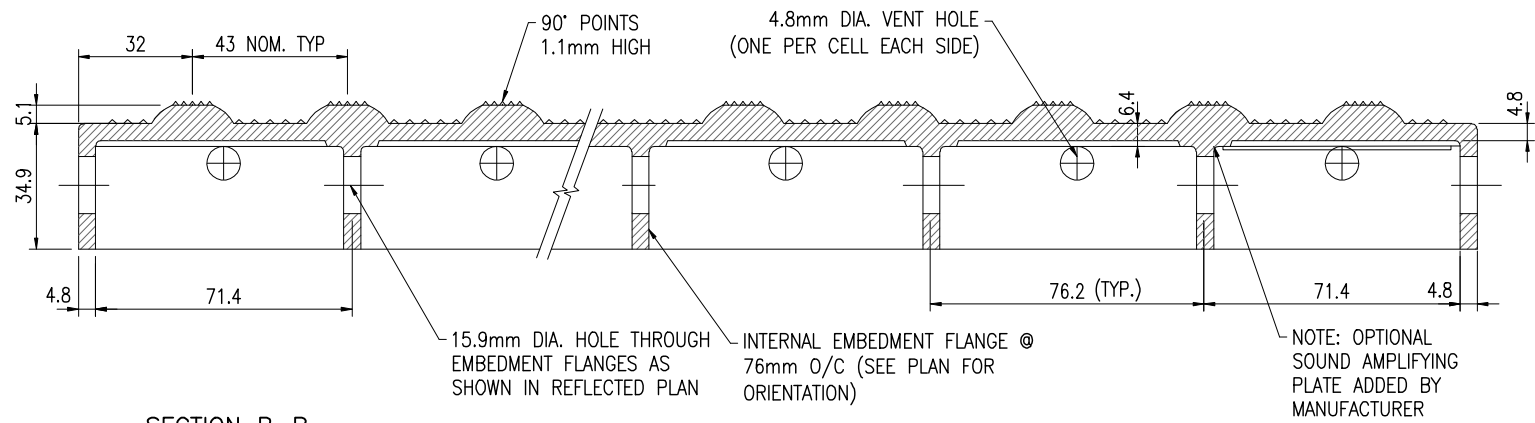
PLAN VIEW
SCALE: 1:20



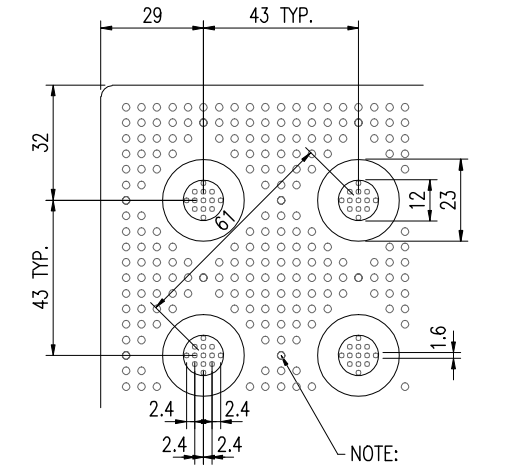
REFLECTED PLAN
SCALE: 1:20



SECTION A-A
SCALE: 1:2



SECTION B-B
SCALE: 1:2



DETAIL B
SCALE: 1:2

NOTE:
FIELD LEVEL
MICRO-TEXTURE
41 POINTS PER
SQUARE INCH



ENGINEERED PRODUCTS
www.kinesik.ca

© KINESIK ENGINEERED PRODUCTS
CONFIDENTIAL AND PROPRIETARY DOCUMENT
ANY ONE OR MORE OF THE FOLLOWING PATENTS MAY APPLY:
U.S. PATENT NO. 5 303 060, 5 775 035, 6 449 790, AND 6 895 622 B2.
C.D.N. PATENT NO. 2 032 532, 2 070 064, US PATENTS PENDING.
© KENNETH E. SZEKELY

MATERIAL LIST

ITEM	DESCRIPTION	PART NO.	QTY
1	ARMOR-TILE	ADA-C-3648W	1

REFERENCE DRAWINGS

DWG. NO.	DESCRIPTION

No.	DATE	REVISION	APPR.

SCALE AS NOTED

DESIGNED	KES	DATE	09/15/2014
DRAWN	RWD	DATE	09/15/2014
DRAWN	KES		

PROJECT MANAGER

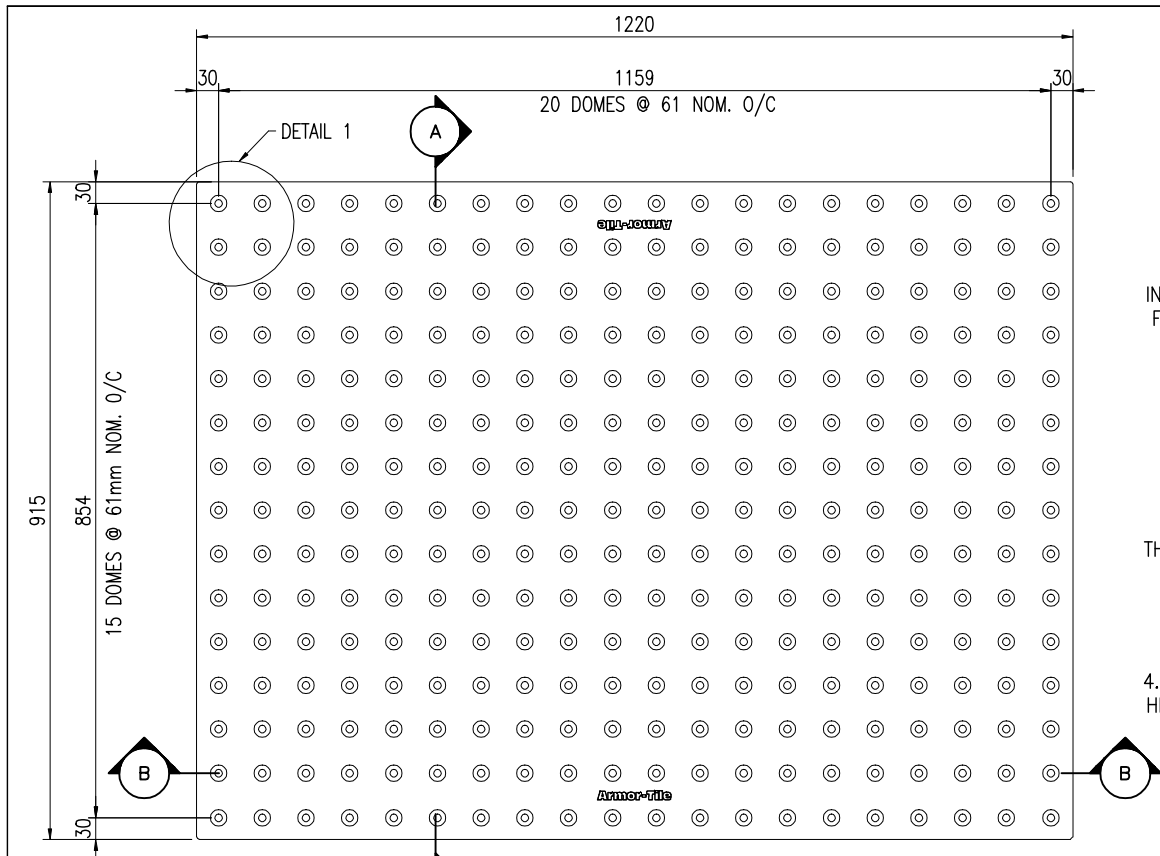
TRADE	TWSI	PART NO.	ADA-C-3648W
-------	------	----------	-------------

MATERIAL VITRIFIED POLYMER COMPOSITE

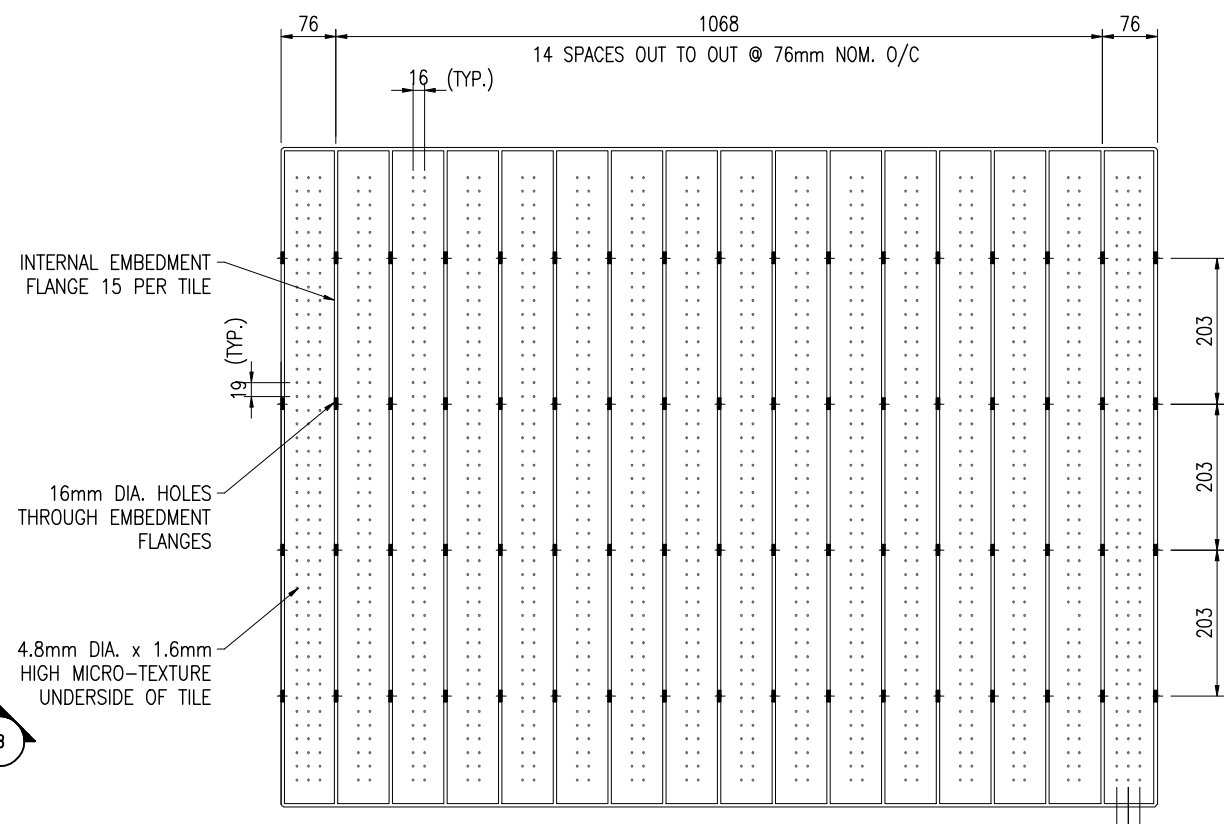
SUBJECT
Armor-Tile™
SOUND AMPLIFYING TACTILE WALKING SURFACE INDICATOR TILE

PROJECT
TACTILE WALKING SURFACE INDICATOR TILE 915X1220 CAST IN PLACE INLINE DOME TACTILE TILE PLANS AND DETAILS

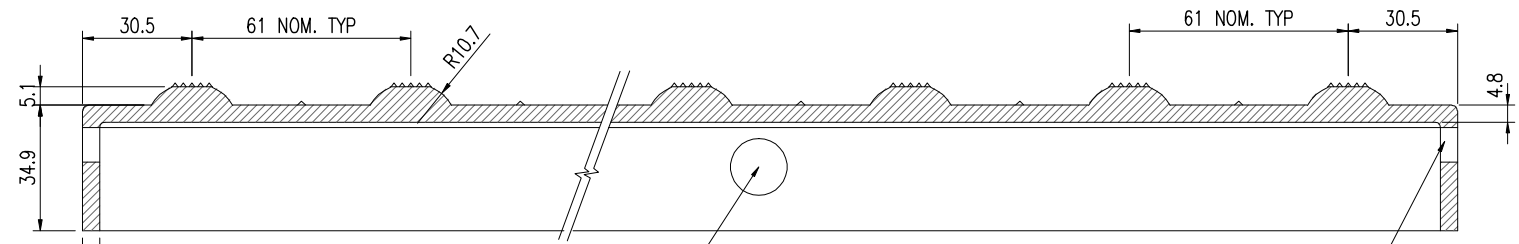
DRAWING NO.	ADA-C-3648W	REV. NO.	0
-------------	-------------	----------	---



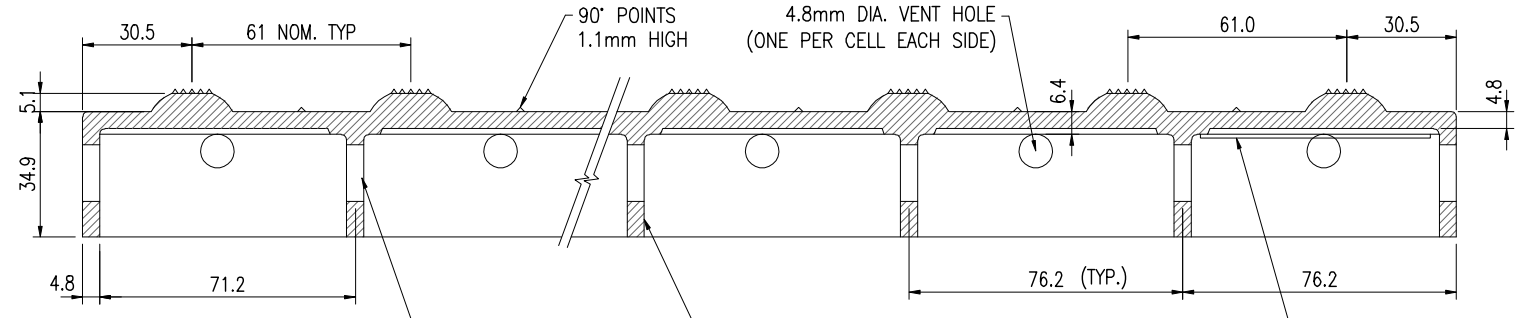
PLAN VIEW
SCALE: 1:10



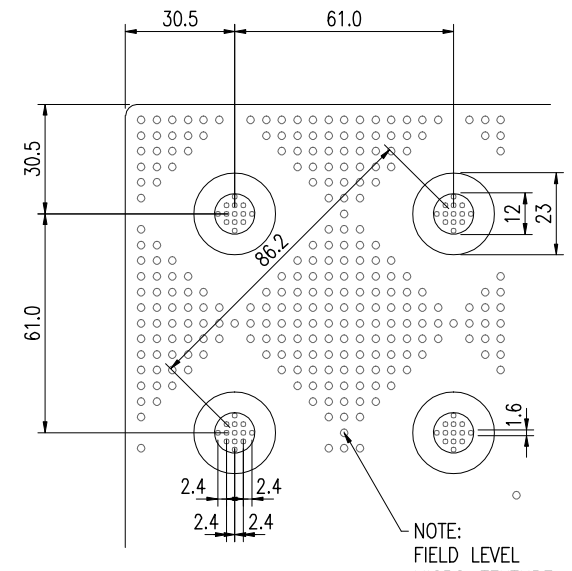
REFLECTED PLAN VIEW
SCALE: 1:10



SECTION A-A
SCALE: 1:2



SECTION B-B
SCALE: 1:2



DETAIL B
SCALE: 1:2

NOTE: FIELD LEVEL MICRO-TEXTURE 36 POINTS PER SQUARE INCH

NOTE: OPTIONAL SOUND AMPLIFYING PLATE ADDED BY MANUFACTURER



ENGINEERED PRODUCTS
www.kinesik.ca

© KINESIK ENGINEERED PRODUCTS
CONFIDENTIAL AND PROPRIETARY DOCUMENT
ANY ONE OR MORE OF THE FOLLOWING PATENTS MAY APPLY:
U.S. PATENT NO. 5 303 060, 5 775 035, 6 449 790, AND 6 895 622 B2.
C.D.N. PATENT NO. 2 032 532, 2 070 064,
US PATENTS PENDING.
© KENNETH E. SZEKELY

MATERIAL LIST

ITEM	DESCRIPTION	PART NO.	QTY
1	ARMOR-TILE	ADA-C-3660W	1

REFERENCE DRAWINGS

DWG. NO.	DESCRIPTION

No.	DATE	REVISION	APPR.

SCALE AS NOTED

DESIGNED	KES	DATE	09/15/2014
DRAWN	RWO		09/15/2014
DRAWN	KES		

PROJECT MANAGER

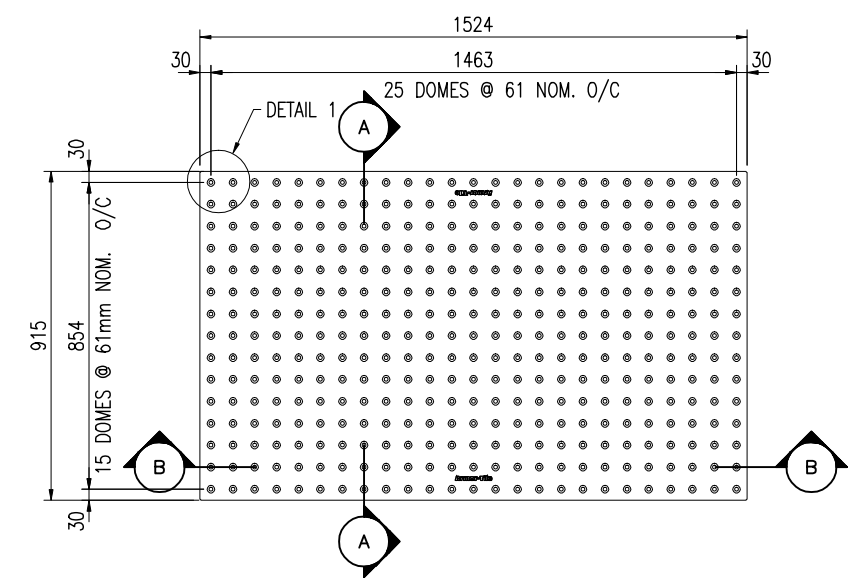
TRADE	TWSI	PART NO.	ADA-C-3660W
-------	------	----------	-------------

MATERIAL VITRIFIED POLYMER COMPOSITE

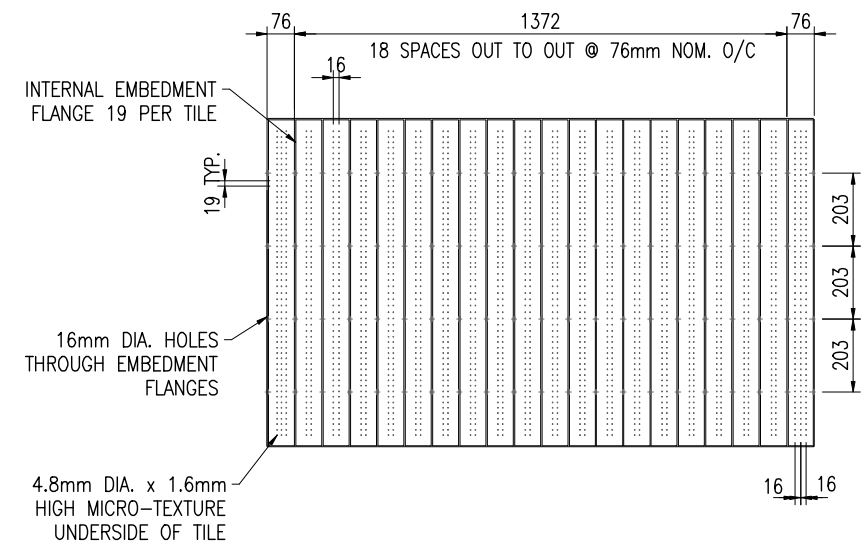
SUBJECT
Armor-Tile™
SOUND AMPLIFYING TACTILE
WALKING SURFACE INDICATOR TILE

PROJECT
**TACTILE WALKING SURFACE
INDICATOR TILE 915X1524 CAST
IN PLACE INLINE DOME TACTILE
TILE PLANS AND DETAILS**

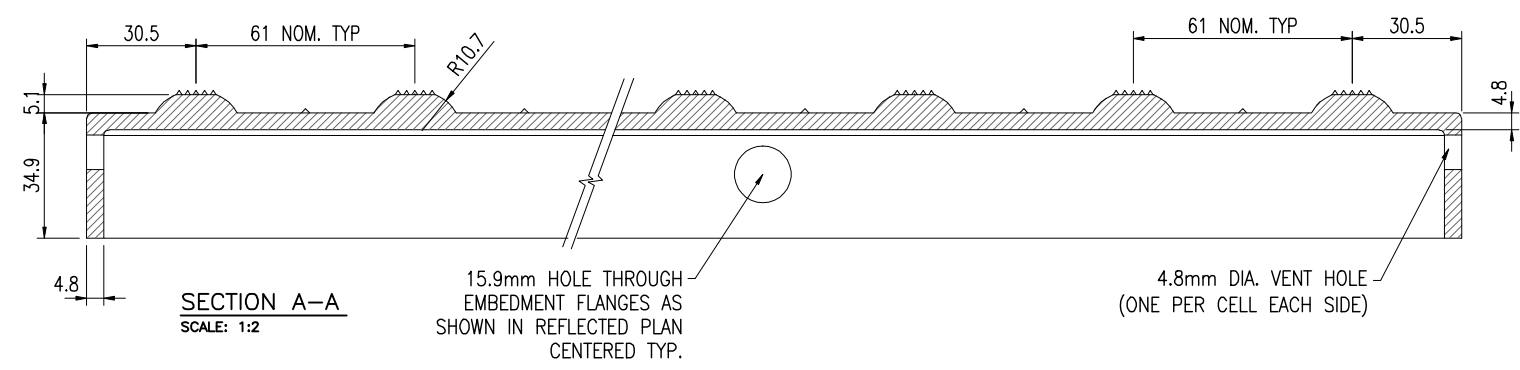
DRAWING NO.	ADA-C-3660W	REV. NO.	0
-------------	-------------	----------	---



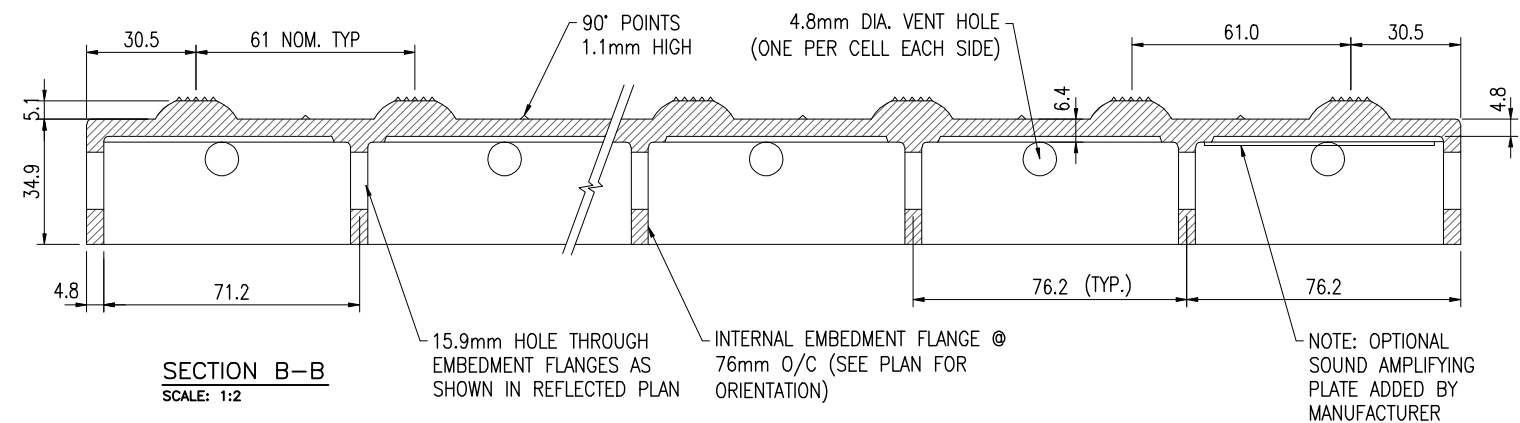
PLAN VIEW
SCALE: 1:20



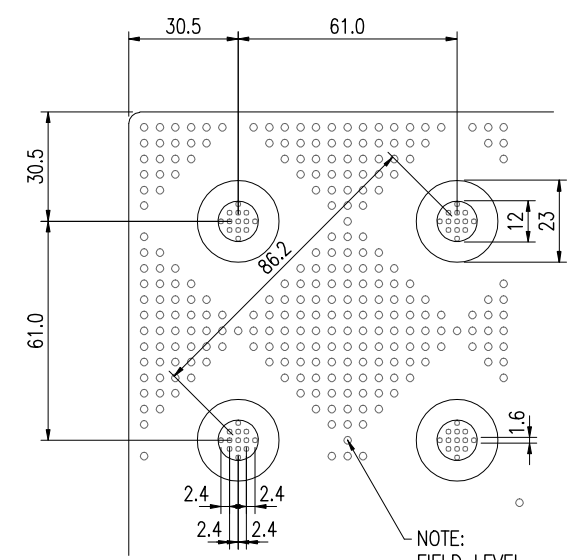
REFLECTED PLAN
SCALE: 1:20



SECTION A-A
SCALE: 1:2



SECTION B-B
SCALE: 1:2



DETAIL B
SCALE: 1:2

NOTE:
FIELD LEVEL
MICRO-TEXTURE
36 POINTS PER
SQUARE INCH