



ENGINEERED PRODUCTS

www.kinesik.ca

© KINESIK ENGINEERED PRODUCTS

ACCESS, ACCESS TILE, ACCESS + AND THE TWO AND THREE DIMENSIONAL DESIGNS ON THE DOMES ARE TRADEMARKS OF ENGINEERED SYSTEMS INC. PATENTS PENDING IN THE USA, CANADA AND INTERNATIONALLY. DISTRIBUTED UNDER LICENSE BY KINESIK ENGINEERED PRODUCTS.

© KENNETH E. SZEKELY

MATERIAL LIST

ITEM	DESCRIPTION	PART NO.	QTY
1	ACCESS TILE	ACC-S-1212	1
2	TeK™ ANCHOR	ADA-FAST	4
3	TACTILE BOND AND SEAL	TBS-010	1 ea

NOTE: ANCHORS ARE INCLUDED AND ASSEMBLED ON TILE.

REFERENCE DRAWINGS

DWG. NO.	DESCRIPTION

No.	DATE	REVISION	APPR.

SCALE N.T.S.

DESIGNED	KES	DATE	09/15/2014
DRAWN	M.T.	DATE	20/07/2017
DRAWN	D.D.		

PROJECT MANAGER

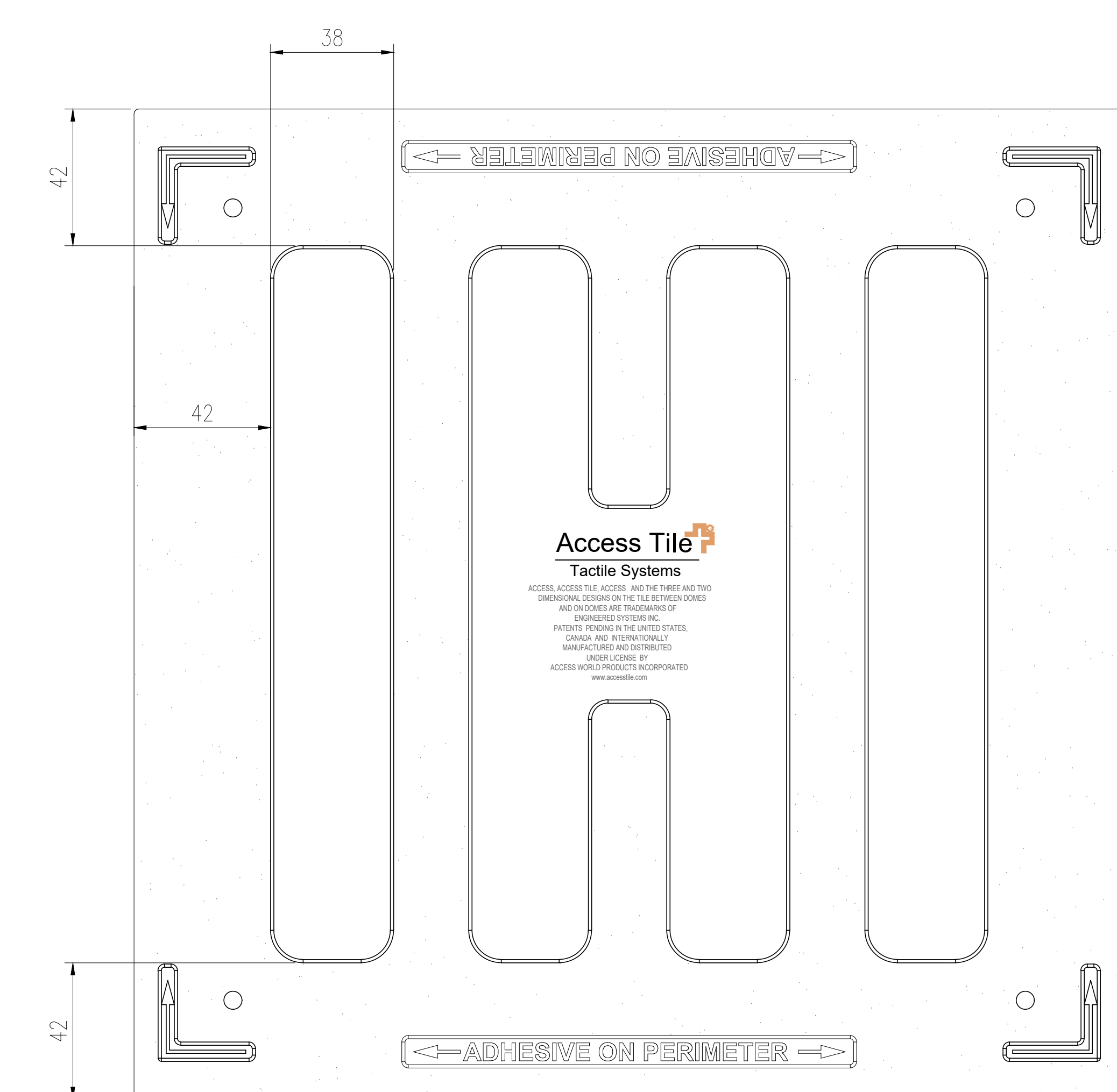
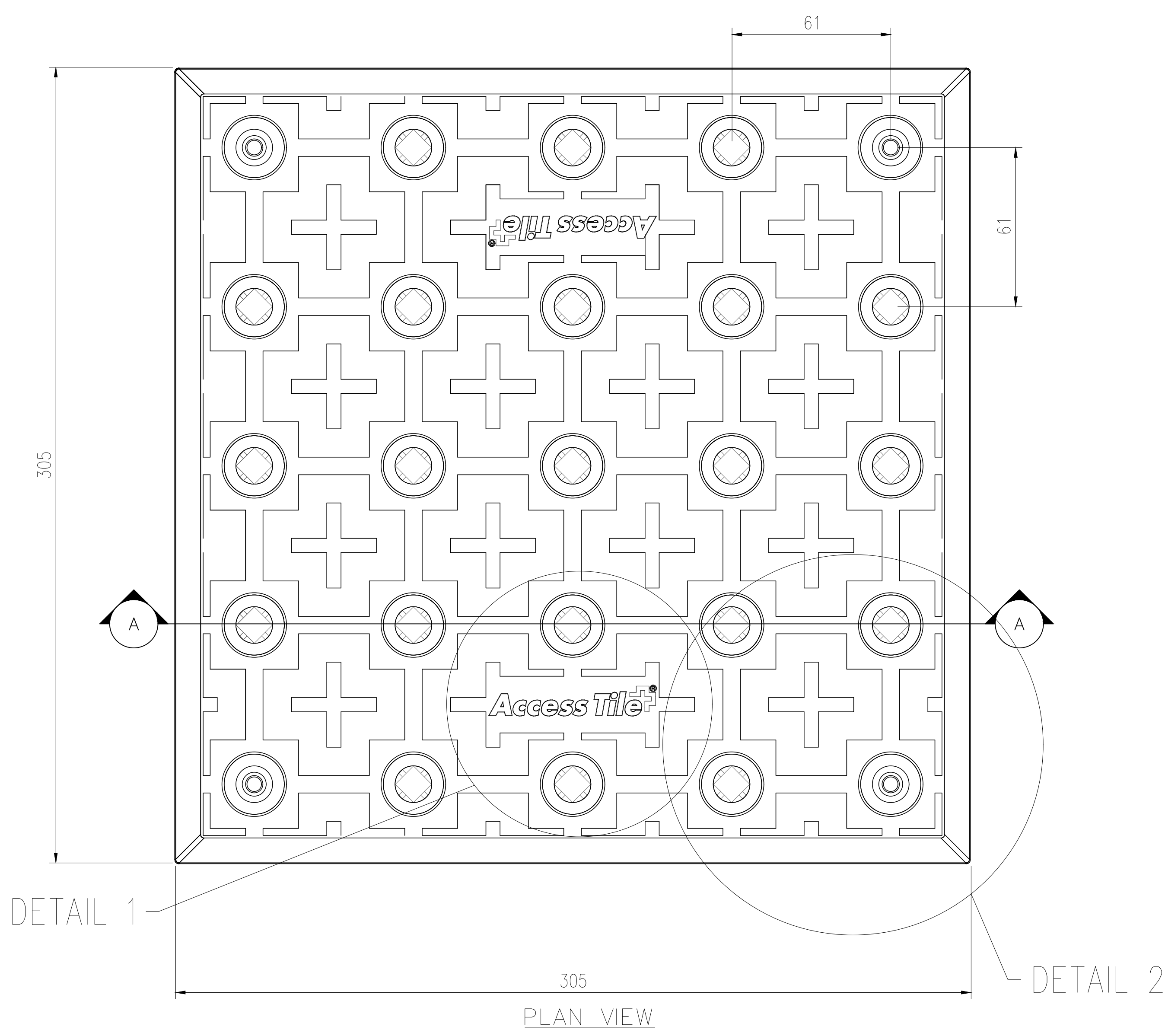
TRADE	TWSI	PART NO.	ACC-S-1212
-------	------	----------	------------

MATERIAL POLYMER COMPOSITE

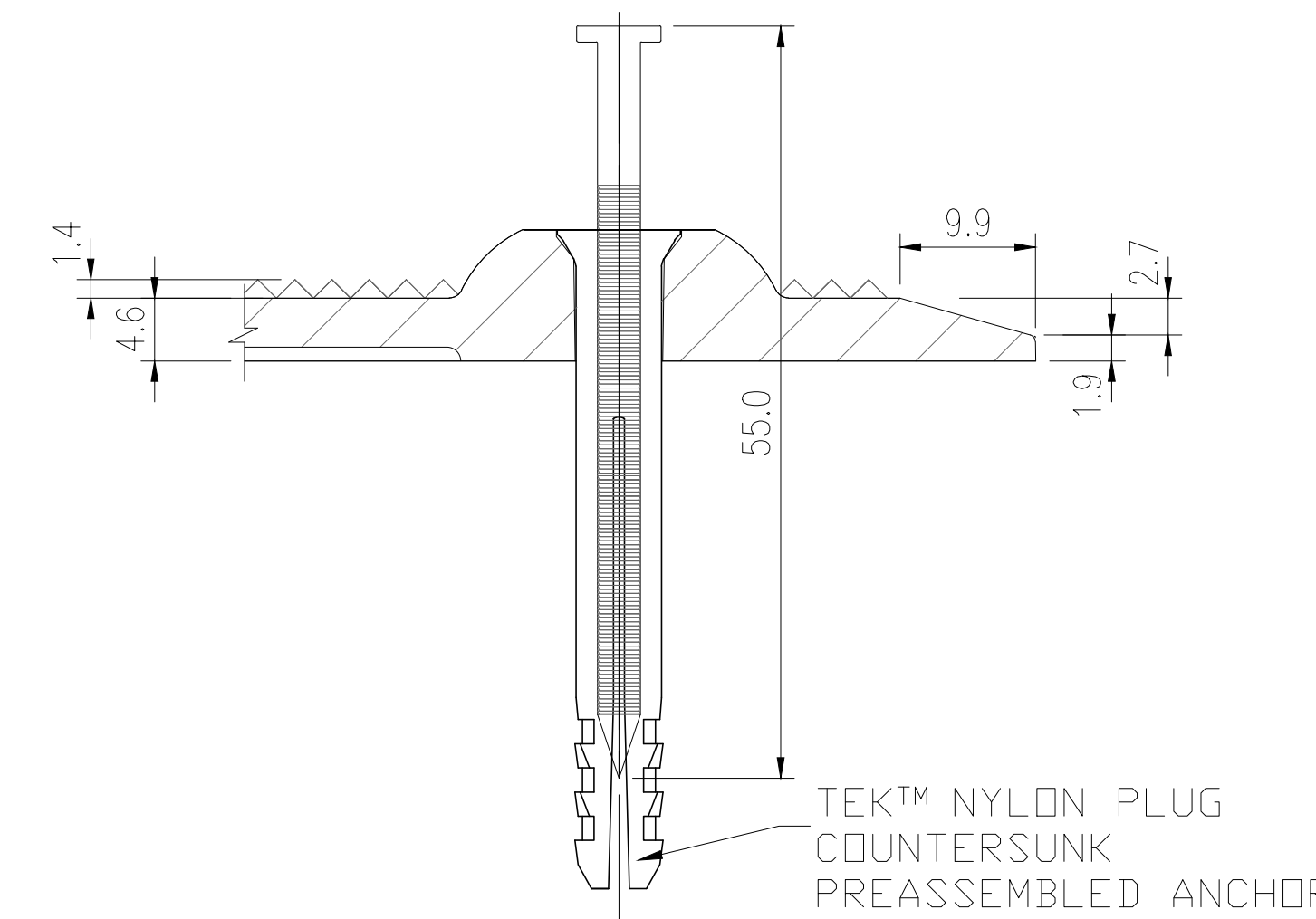
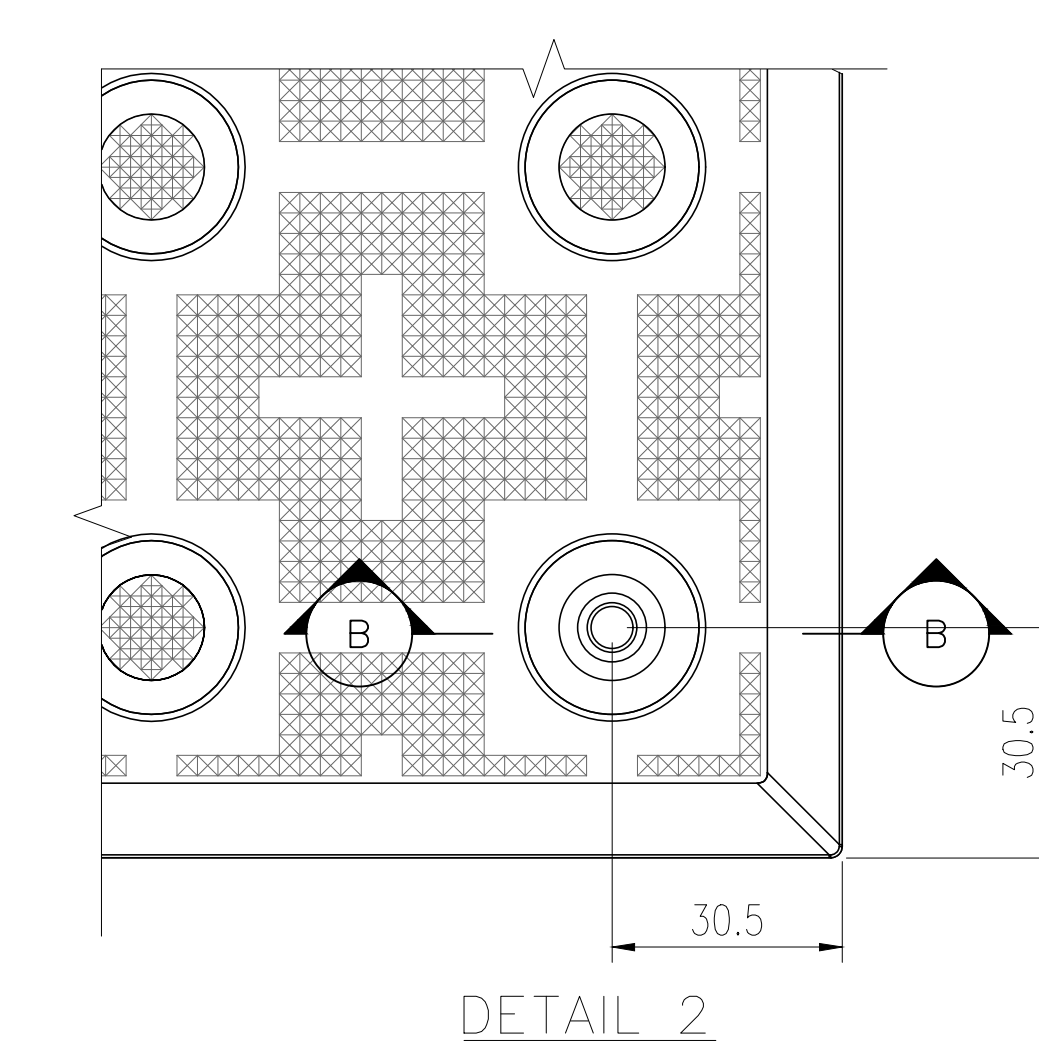
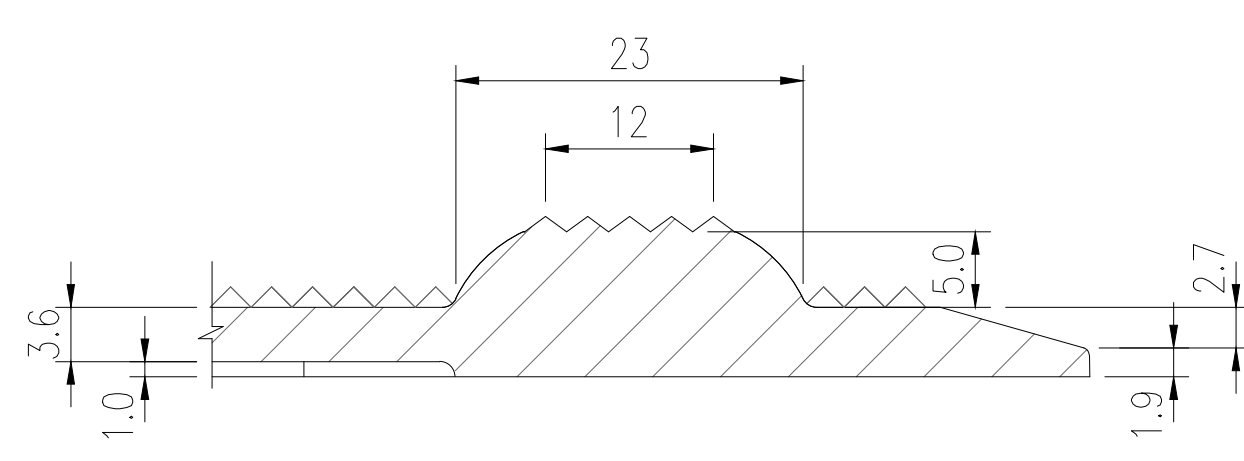
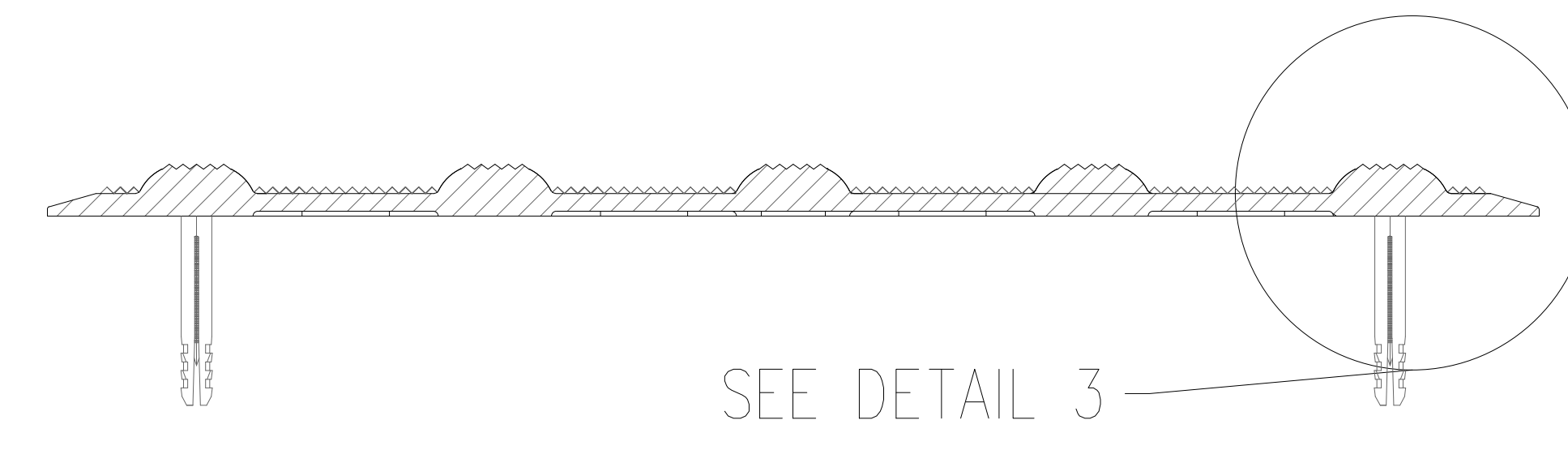
SUBJECT **Access Tile**
TRUNCATED DOME, TACTILE WALKING SURFACE INDICATOR TILE

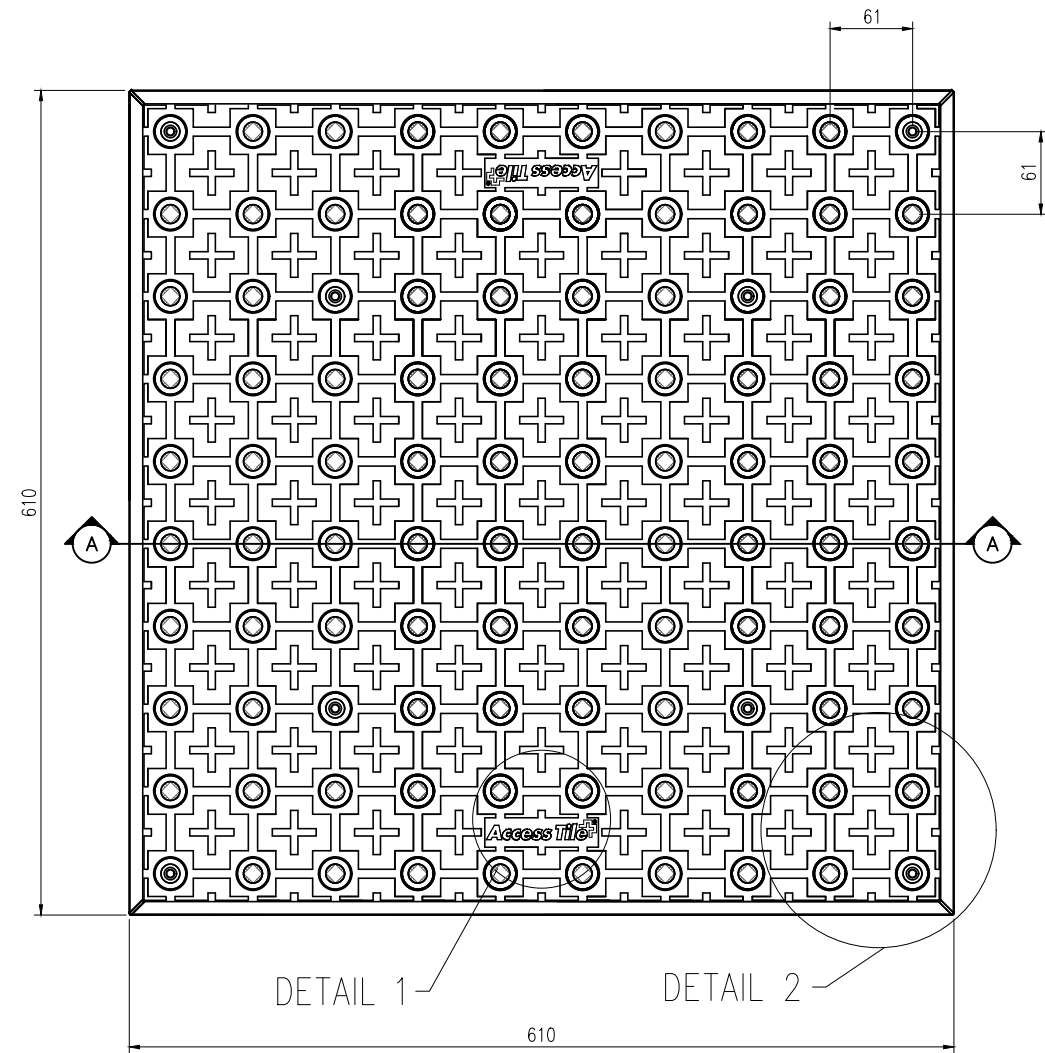
PROJECT
TRUNCATED DOME, TACTILE WALKING SURFACE INDICATOR 305 x 305 SURFACE APPLIED
INLINE DOME TILE DRAWING

DRAWING NO.	ACC-S-1212	REV. NO.	0
-------------	------------	----------	---



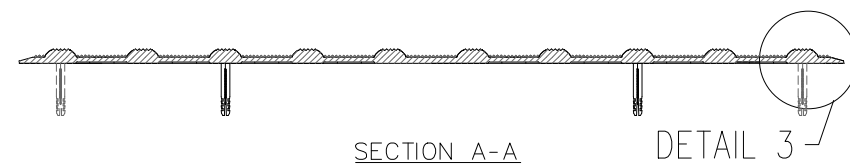
UNDERSIDE VIEW





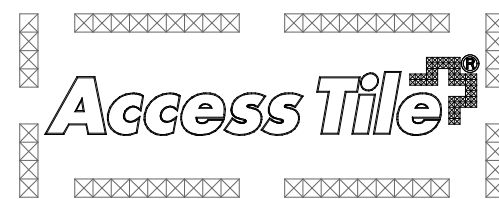
DETAIL 1 DETAIL 2

PLAN VIEW

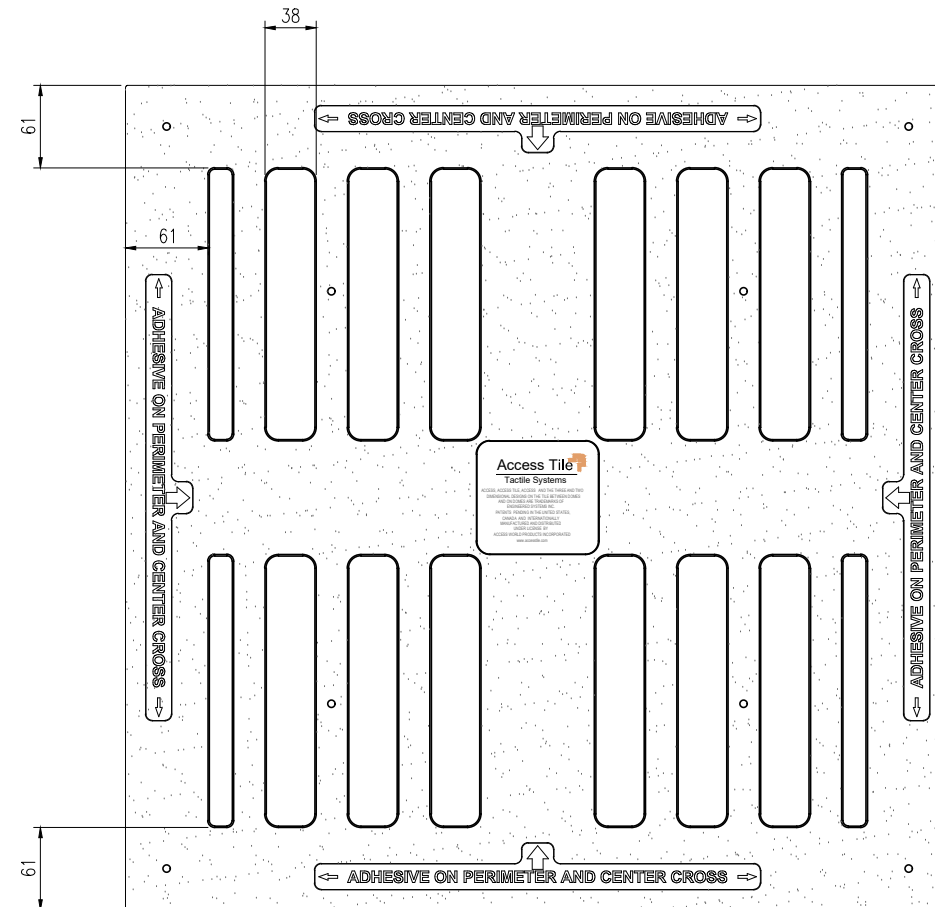


SECTION A-A

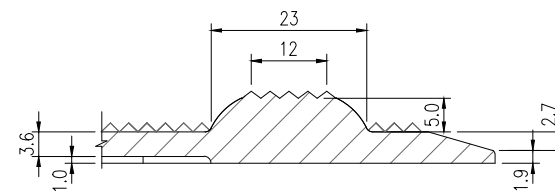
DETAIL 3



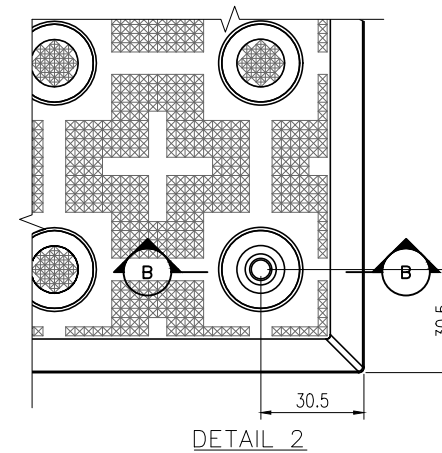
DETAIL 1



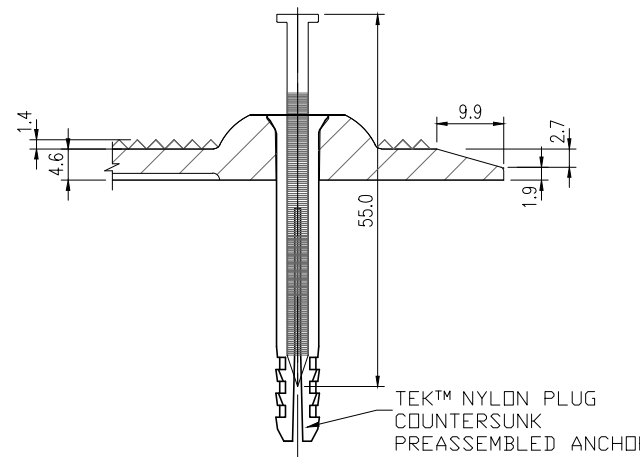
UNDERSIDE VIEW



DETAIL 3



DETAIL 2



DETAIL 4

TEK™ NYLON PLUG
COUNTERSUNK
PREASSEMBLED ANCHOR



ENGINEERED PRODUCTS

www.kinesik.ca

© KINESIK ENGINEERED PRODUCTS

ACCESS, ACCESS TILE, ACCESS + AND THE TWO AND THREE DIMENSIONAL DESIGNS ON THE DOMES ARE TRADEMARKS OF ENGINEERED SYSTEMS INC. PATENTS PENDING IN THE USA, CANADA AND INTERNATIONALLY. DISTRIBUTED UNDER LICENSE BY KINESIK ENGINEERED PRODUCTS.

© KENNETH E. SZEKELY

MATERIAL LIST

ITEM	DESCRIPTION	PART NO.	QTY
1	ACCESS TILE	ACC-S-2424	1
2	TeK™ ANCHOR	ADA-FAST	8
3	TACTILE BOND AND SEAL	TBS-010	1 ea

NOTE: ANCHORS ARE INCLUDED AND ASSEMBLED ON TILE.

REFERENCE DRAWINGS

DWG. NO.	DESCRIPTION

No.	DATE	REVISION	APPR.

SCALE

N.T.S.

DESIGNED KES DATE 09/15/2014

DRAWN M.T. DATE 20/07/2017

DRAWN D.D.

PROJECT MANAGER

TRADE TWSI PART NO. ACC-S-2424

MATERIAL POLYMER COMPOSITE

SUBJECT
Access Tile
TRUNCATED DOME, TACTILE WALKING SURFACE INDICATOR TILE

PROJECT
TRUNCATED DOME, TACTILE WALKING SURFACE INDICATOR 610 x 610 SURFACE APPLIED INLINE DOME TILE DRAWING

DRAWING NO. ACC-S-2424 REV. NO. 0



ENGINEERED PRODUCTS

www.kinesik.ca

© KINESIK ENGINEERED PRODUCTS

ACCESS, ACCESS TILE, ACCESS + AND THE TWO AND THREE DIMENSIONAL DESIGNS ON THE DOMES ARE TRADEMARKS OF ENGINEERED SYSTEMS INC. PATENTS PENDING IN THE USA, CANADA AND INTERNATIONALLY. DISTRIBUTED UNDER LICENSE BY KINESIK ENGINEERED PRODUCTS.

© KENNETH E. SZEKELY

MATERIAL LIST

ITEM	DESCRIPTION	PART NO.	QTY
1	ACCESS TILE	ACC-S-2436	1
2	TeK™ ANCHOR	ADA-FAST	8
3	TACTILE BOND AND SEAL	TBS-010	1 ea

NOTE: ANCHORS ARE INCLUDED AND ASSEMBLED ON TILE.

REFERENCE DRAWINGS

DWG. NO.	DESCRIPTION

No.	DATE	REVISION	APPR.

SCALE N.T.S.

DESIGNED	KES	DATE	09/15/2014
DRAWN	M.T.	DATE	20/07/2017
DRAWN	D.D.		

PROJECT MANAGER

TRADE	TWSI	PART NO.	ACC-S-2436
-------	------	----------	------------

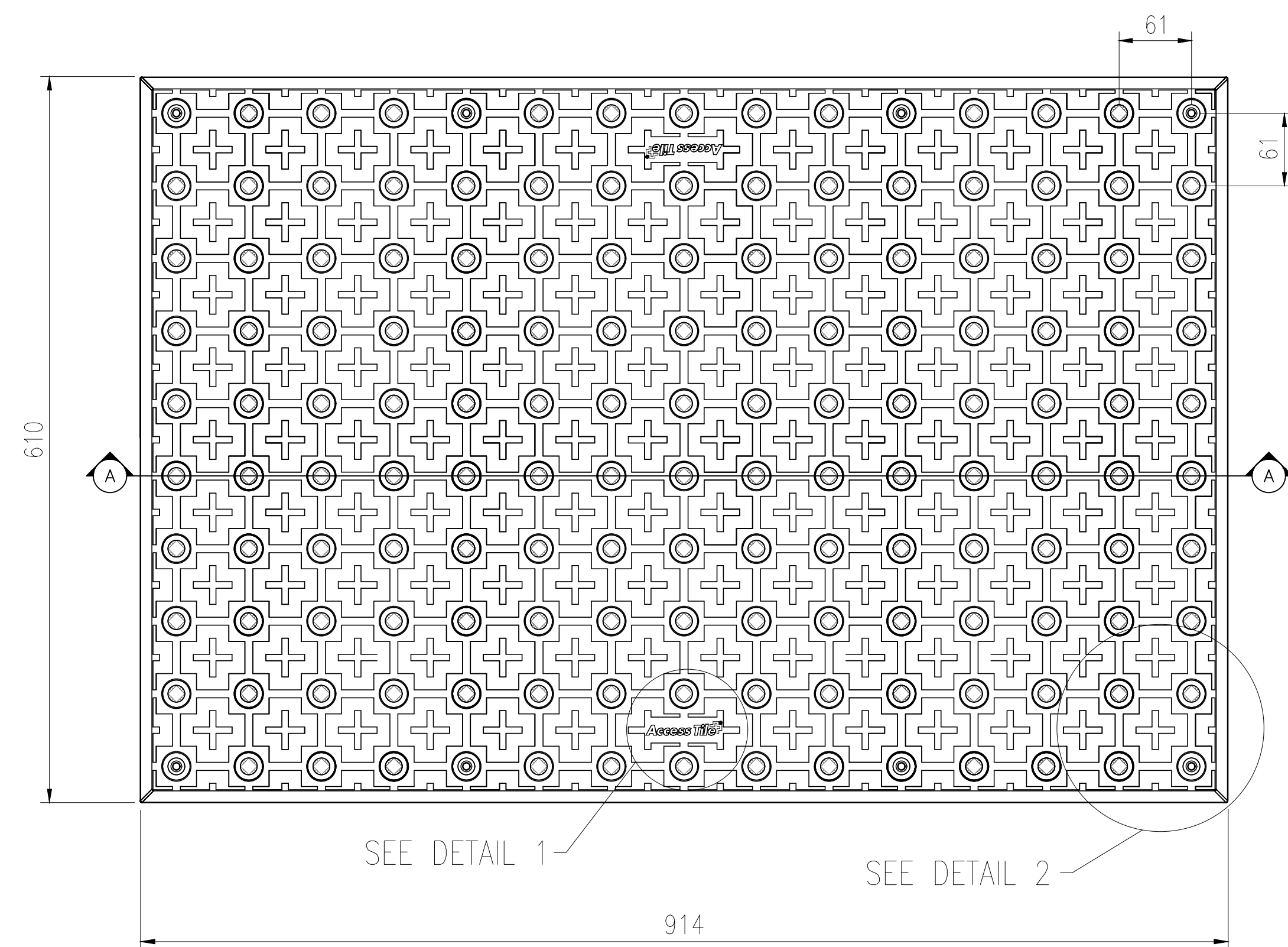
MATERIAL POLYMER COMPOSITE

SUBJECT

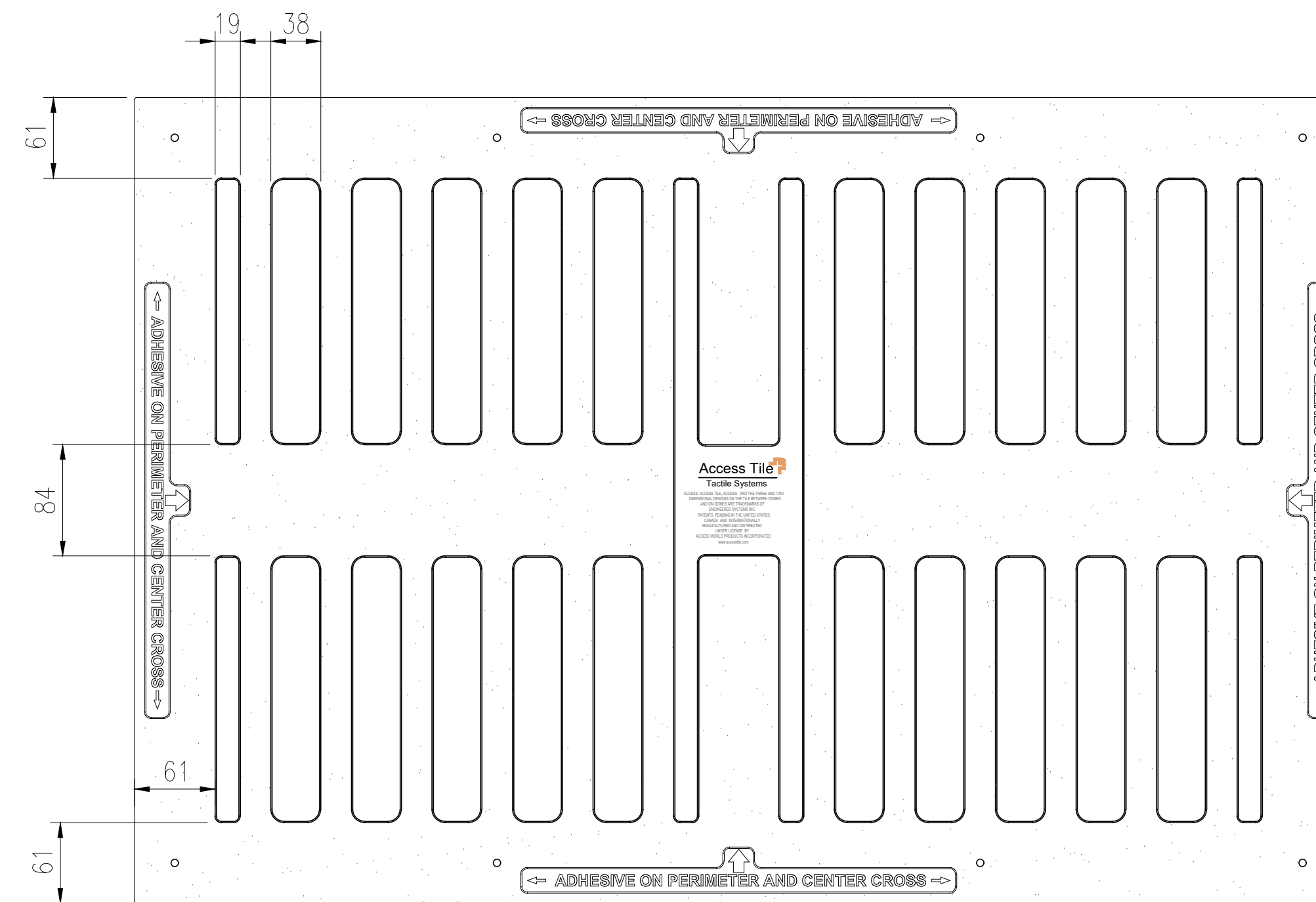
TRUNCATED DOME, TACTILE WALKING SURFACE INDICATOR TILE

PROJECT
TRUNCATED DOME, TACTILE WALKING SURFACE INDICATOR 610 x 914 SURFACE APPLIED INLINE DOME TILE DRAWING

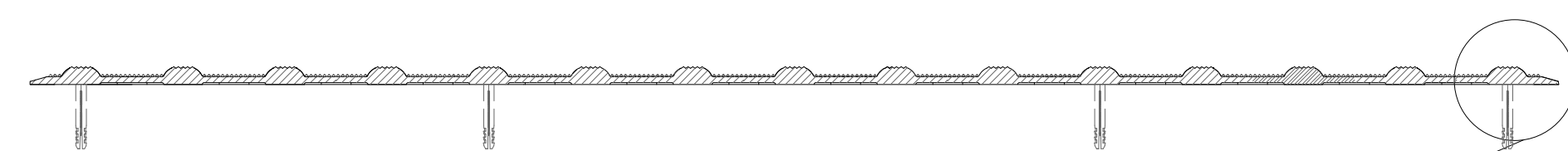
DRAWING NO.	ACC-S-2436	REV. NO.	0
-------------	------------	----------	---



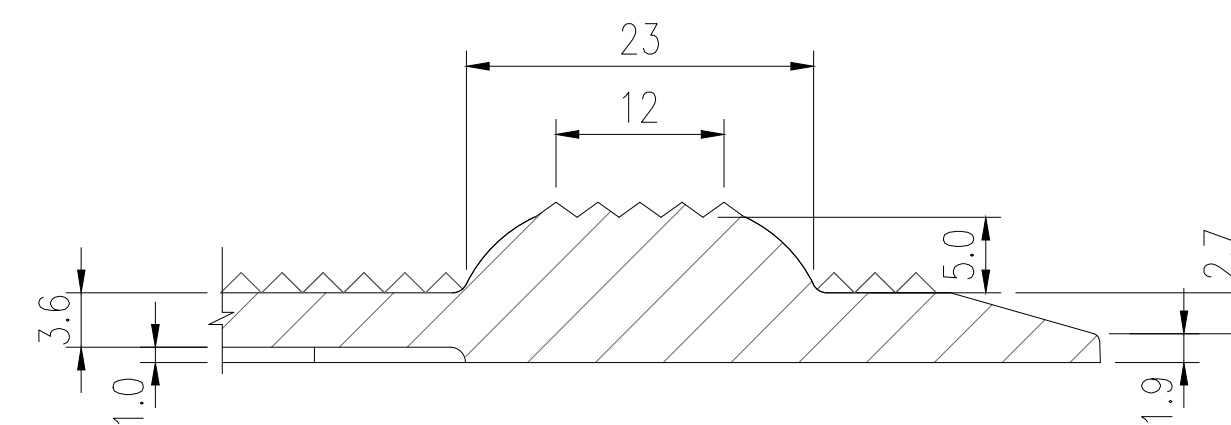
PLAN VIEW



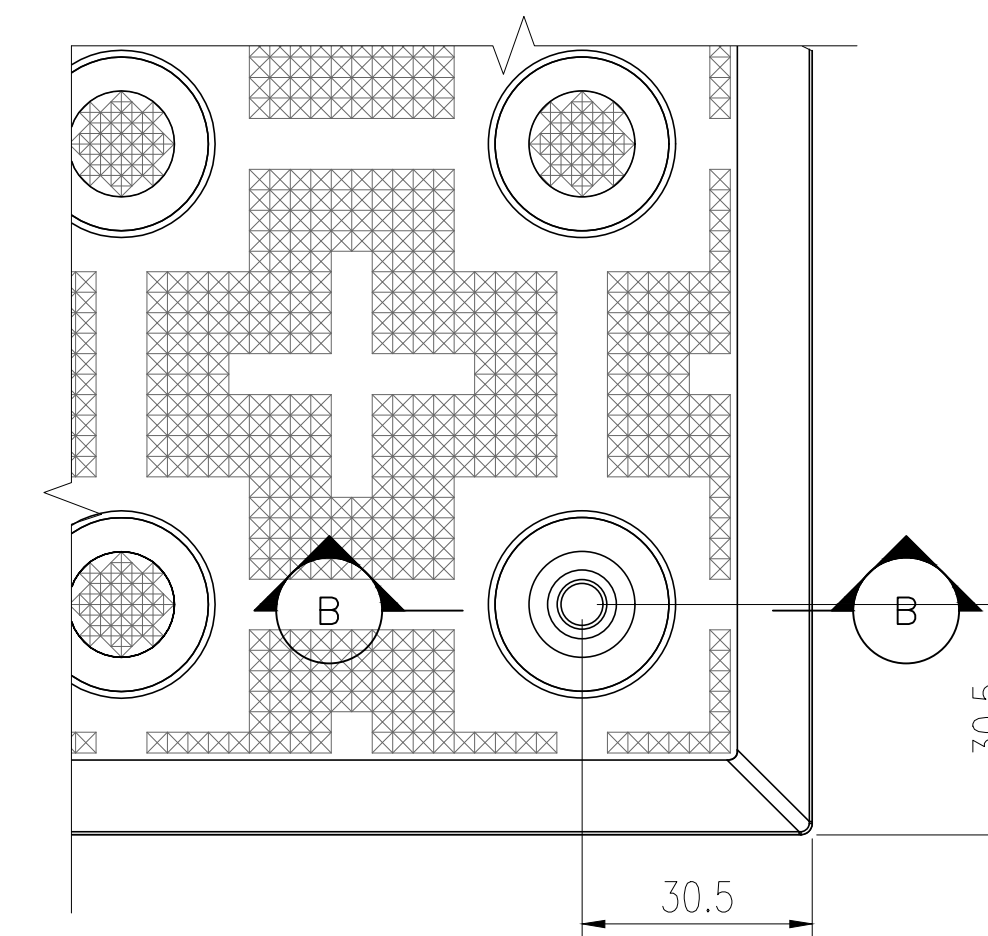
UNDERSIDE VIEW



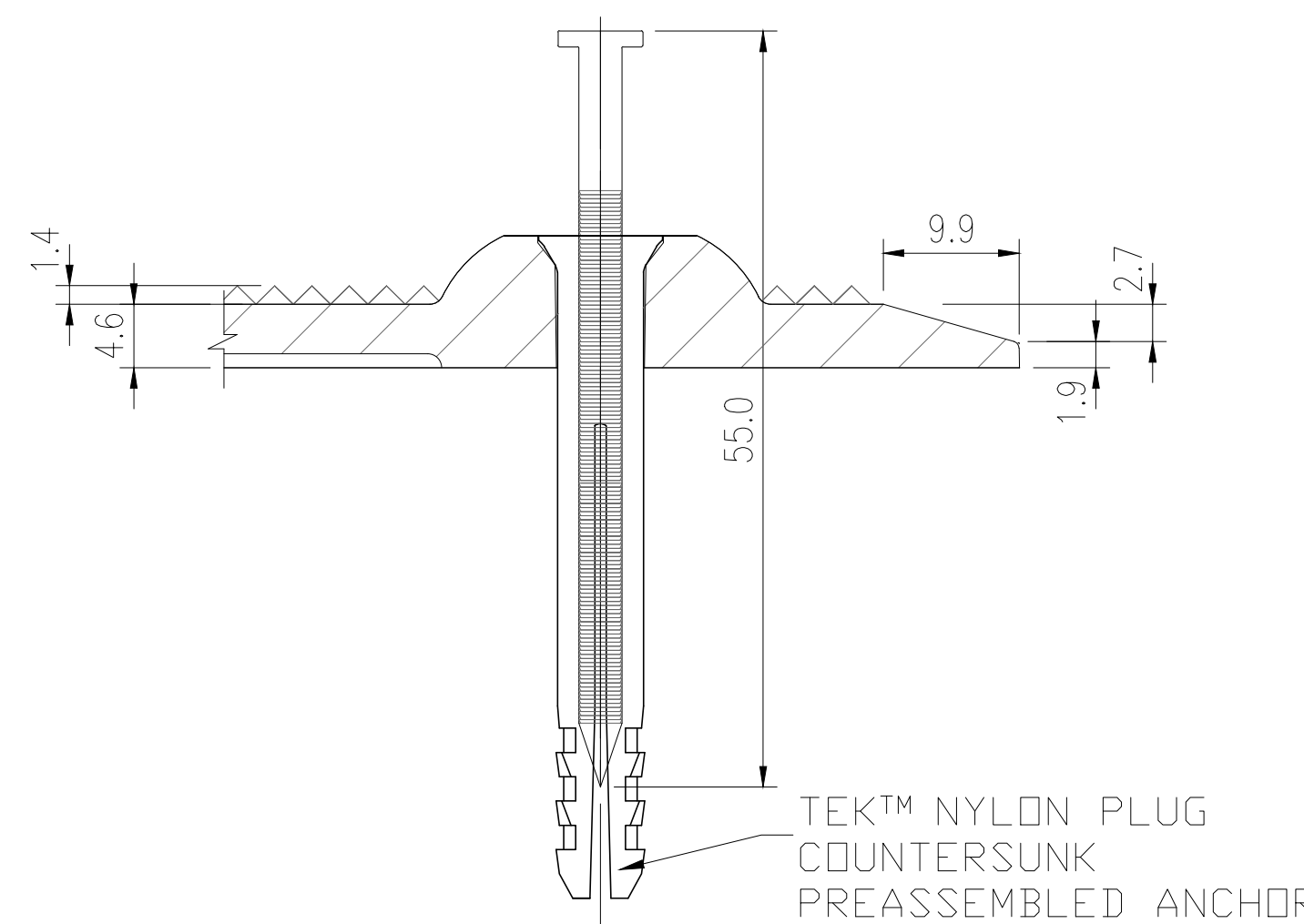
SECTION A-A



DETAIL 3



DETAIL 2



SECTION B-B



DETAIL 1



ENGINEERED PRODUCTS

www.kinesik.ca

© KINESIK ENGINEERED PRODUCTS
 ACCESS, ACCESS TILE, ACCESS + AND THE TWO AND THREE DIMENSIONAL DESIGNS ON THE DOMES ARE TRADEMARKS OF ENGINEERED SYSTEMS INC. PATENTS PENDING IN THE USA, CANADA AND INTERNATIONALLY. DISTRIBUTED UNDER LICENSE BY KINESIK ENGINEERED PRODUCTS.

© KENNETH E. SZEKELY

MATERIAL LIST

ITEM	DESCRIPTION	PART NO.	QTY
1	ACCESS TILE	ACC-R-2448	1
2	TeK™ ANCHOR	ADA-FAST	8
3	TACTILE BOND AND SEAL	TBS-010	1 ea

NOTE: ANCHORS ARE INCLUDED AND ASSEMBLED ON TILE.

REFERENCE DRAWINGS

DWG. NO.	DESCRIPTION

No.	DATE	REVISION	APPR.

SCALE
N.T.S.

DESIGNED	KES	DATE	09/15/2014
DRAWN	M.T.	DATE	20/07/2017
DRAWN	D.D.		

PROJECT MANAGER	
TRADE	TWSI
PART NO.	ACC-S-2448

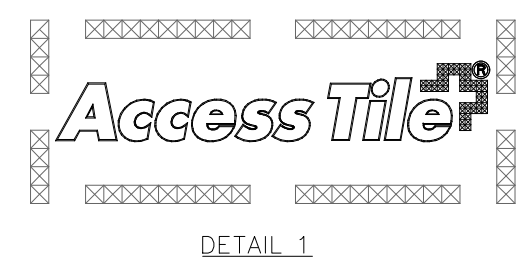
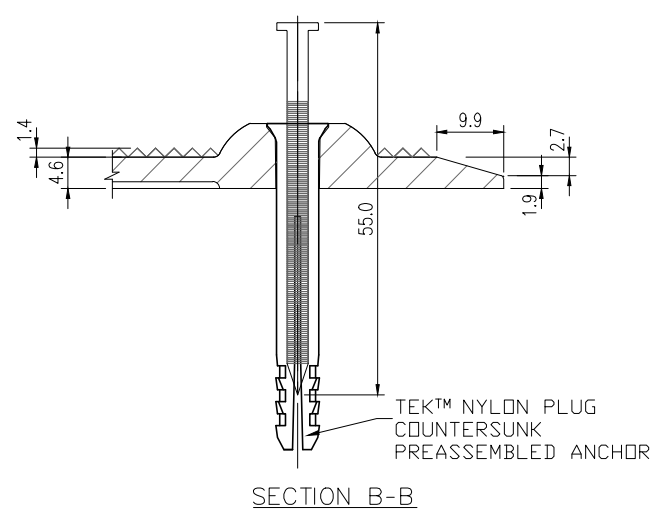
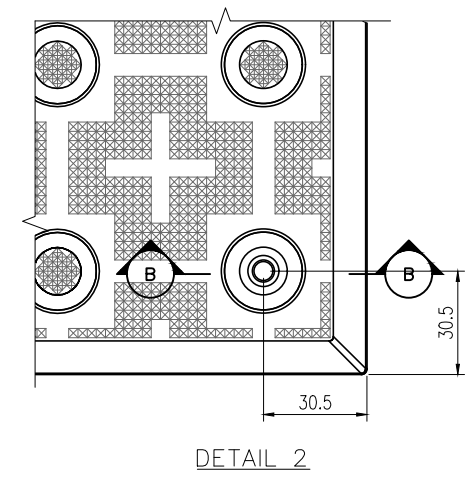
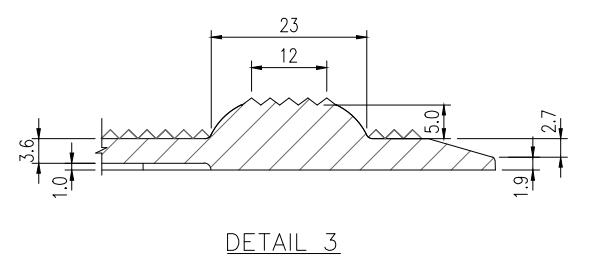
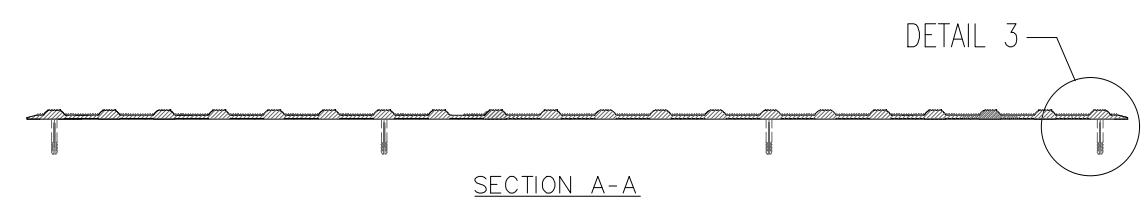
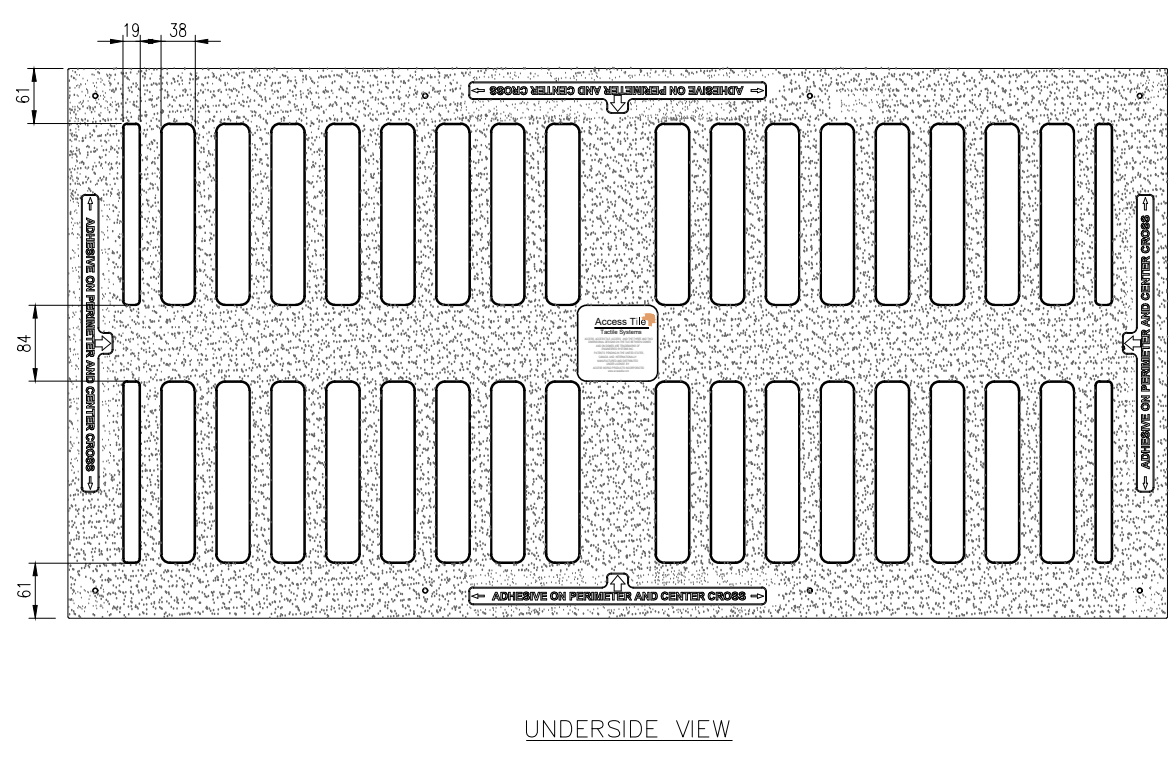
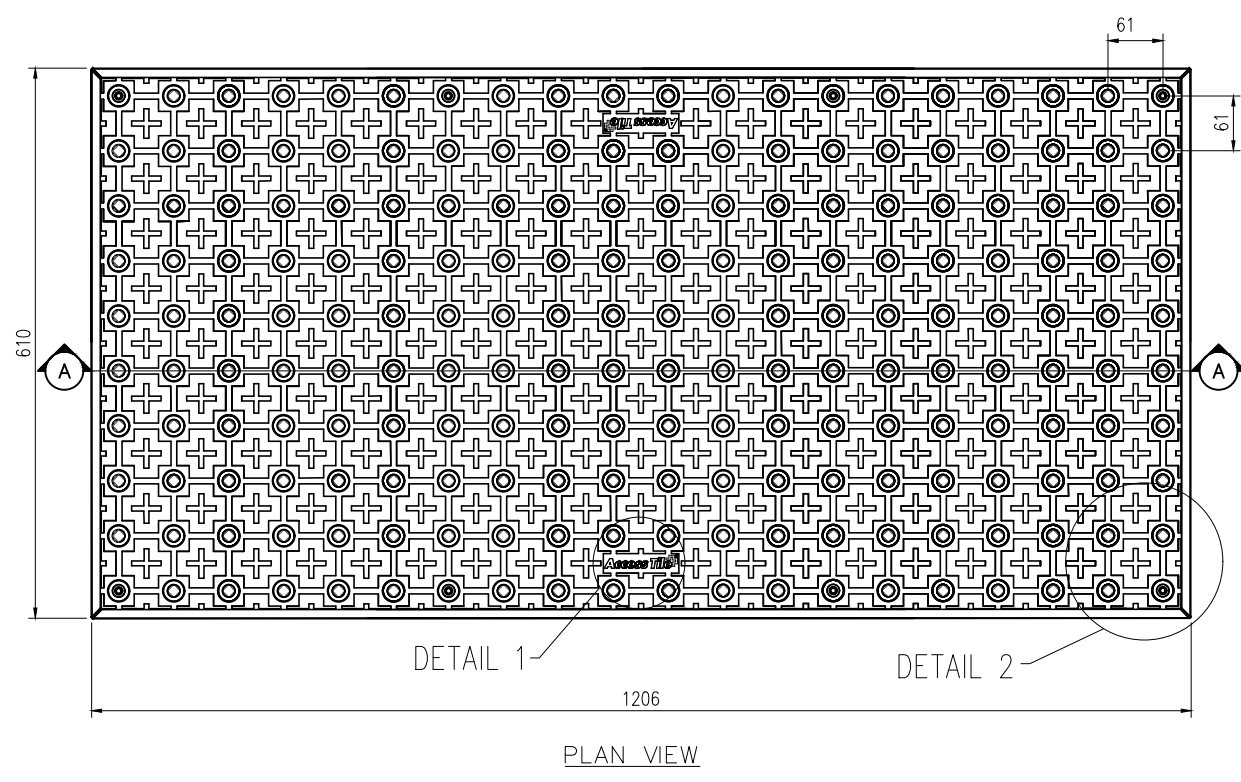
MATERIAL
POLYMER COMPOSITE

SUBJECT

TRUNCATED DOME, TACTILE WALKING SURFACE INDICATOR TILE

PROJECT
 TRUNCATED DOME, TACTILE WALKING SURFACE INDICATOR 610 x 1206 SURFACE APPLIED INLINE DOME TILE DRAWING

DRAWING NO.	ACC-S-2448	REV. NO.	0
-------------	------------	----------	---





ENGINEERED PRODUCTS

www.kinesik.ca

© KINESIK ENGINEERED PRODUCTS
 ACCESS, ACCESS TILE, ACCESS + AND THE TWO AND THREE DIMENSIONAL DESIGNS ON THE DOMES ARE TRADEMARKS OF ENGINEERED SYSTEMS INC. PATENTS PENDING IN THE USA, CANADA AND INTERNATIONALLY. DISTRIBUTED UNDER LICENSE BY KINESIK ENGINEERED PRODUCTS.

© KENNETH E. SZEKELY

MATERIAL LIST

ITEM	DESCRIPTION	PART NO.	QTY
1	ACCESS TILE	ACC-S-2460	1
2	TeK™ ANCHOR	ADA-FAST	10
3	TACTILE BOND AND SEAL	TBS-010	1 ea

NOTE: ANCHORS ARE INCLUDED AND ASSEMBLED ON TILE.

REFERENCE DRAWINGS

DWG. NO.	DESCRIPTION

No.	DATE	REVISION	APPR.

SCALE
N.T.S.

DESIGNED	KES	DATE	09/15/2014
DRAWN	M.T.		20/07/2017
DRAWN	D.D.		

PROJECT MANAGER	
TRADE	TWSI
PART NO.	ACC-S-2460

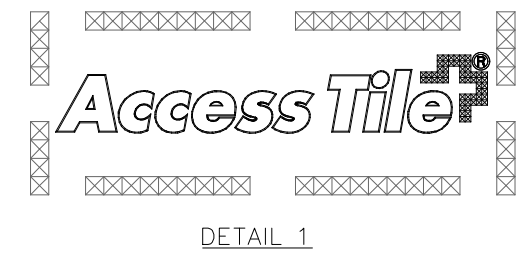
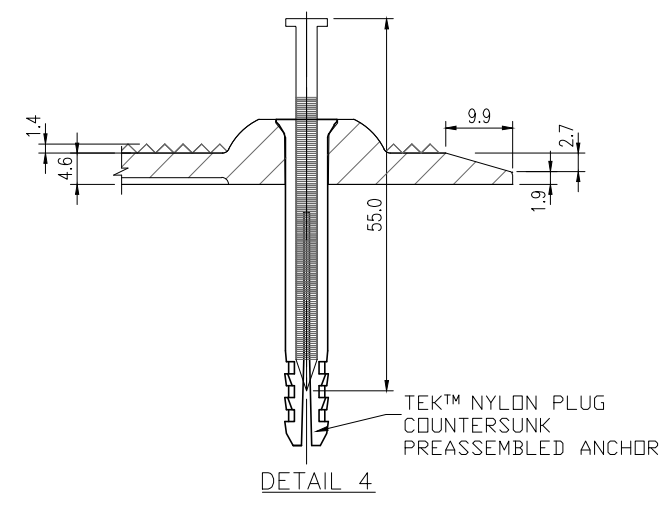
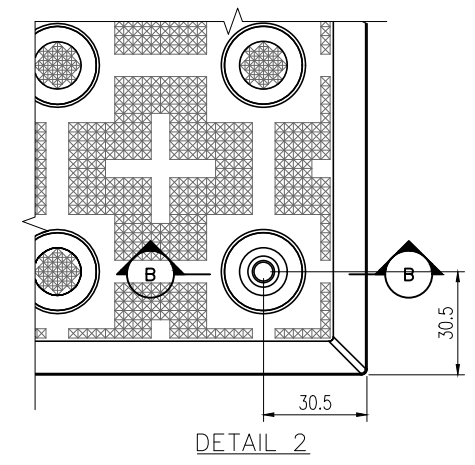
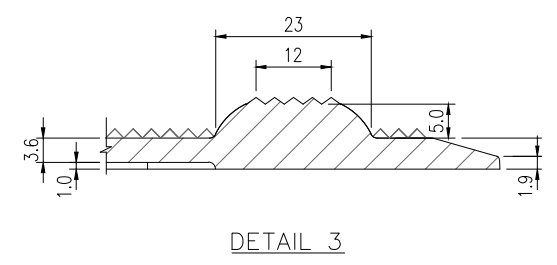
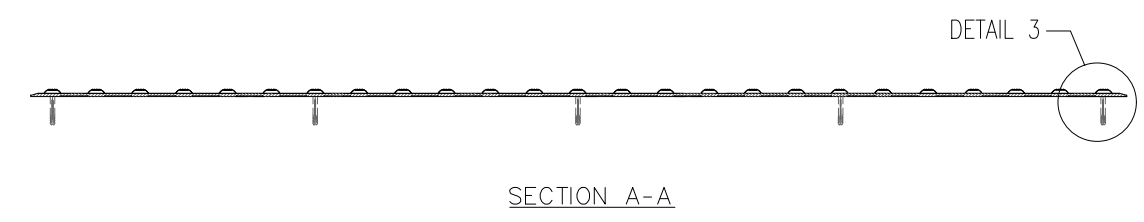
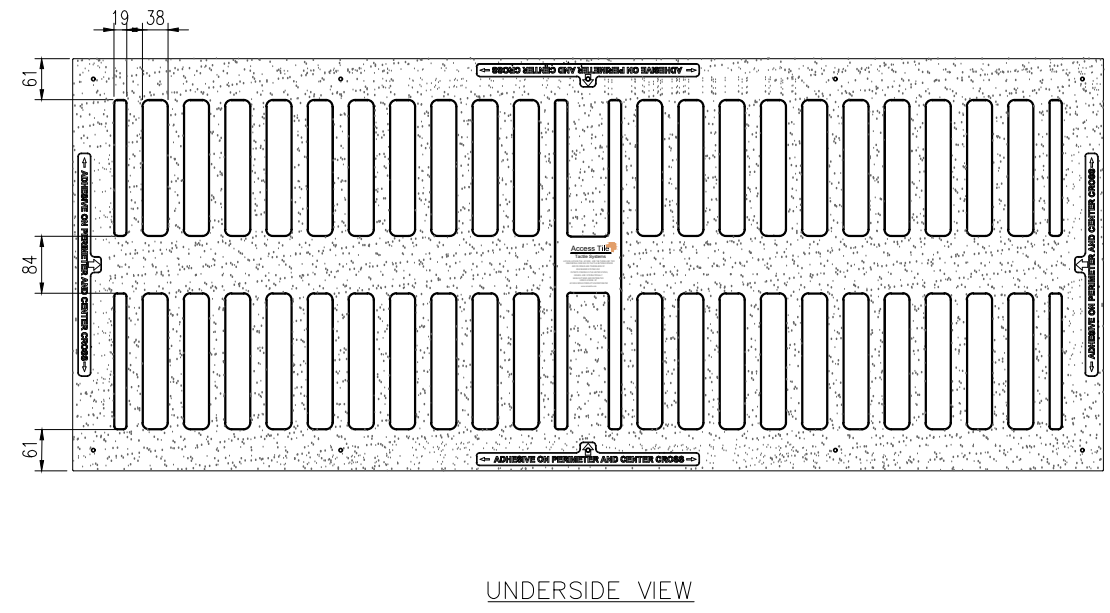
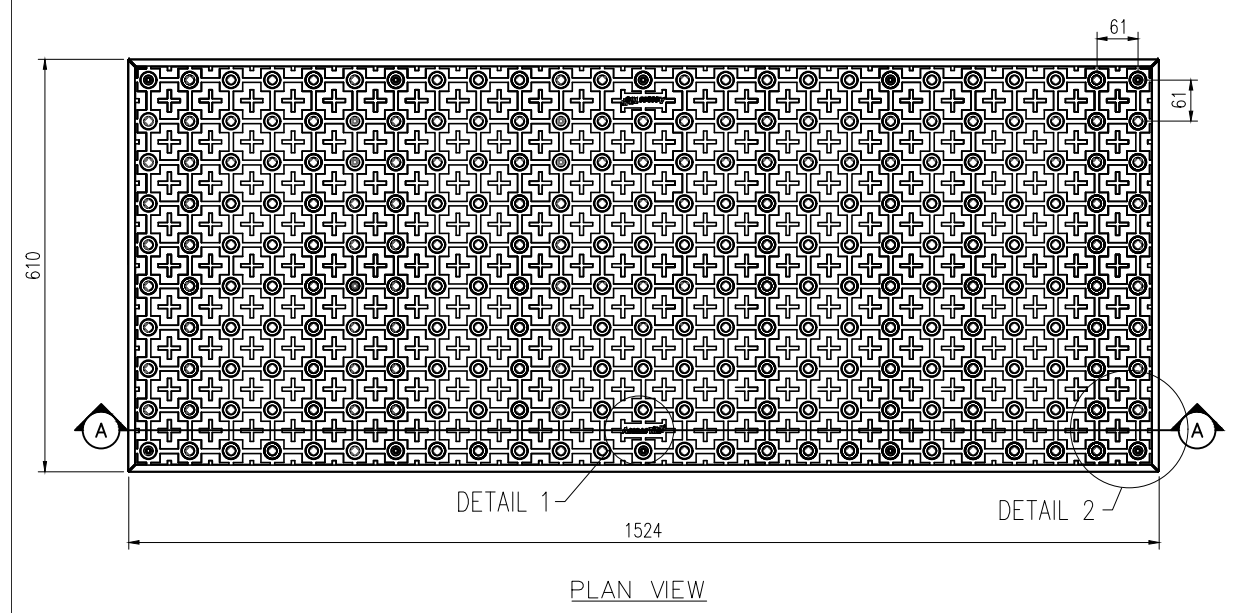
MATERIAL
POLYMER COMPOSITE

SUBJECT

TRUNCATED DOME, TACTILE WALKING SURFACE INDICATOR TILE

PROJECT
 TRUNCATED DOME, TACTILE WALKING SURFACE INDICATOR 610 x 1524 SURFACE APPLIED INLINE DOME TILE DRAWING

DRAWING NO.	ACC-S-2460	REV. NO.	0
-------------	------------	----------	---



DETAIL 1

DETAIL 4



ENGINEERED PRODUCTS

www.kinesik.ca

© KINESIK ENGINEERED PRODUCTS

ACCESS, ACCESS TILE, ACCESS + AND THE TWO AND THREE DIMENSIONAL DESIGNS ON THE DOMES ARE TRADEMARKS OF ENGINEERED SYSTEMS INC. PATENTS PENDING IN THE USA, CANADA AND INTERNATIONALLY. DISTRIBUTED UNDER LICENSE BY KINESIK ENGINEERED PRODUCTS.

© KENNETH E. SZEKELY

MATERIAL LIST

ITEM	DESCRIPTION	PART NO.	QTY
1	ACCESS TILE	ACC-R-3648	1
2	TeK™ ANCHOR	ADA-FAST	12
3	TACTILE BOND AND SEAL	TBS-010	1 ea

NOTE: ANCHORS ARE INCLUDED AND ASSEMBLED ON TILE.

REFERENCE DRAWINGS

DWG. NO.	DESCRIPTION

No.	DATE	REVISION	APPR.

SCALE N.T.S.

DESIGNED	KES	DATE	09/15/2014
DRAWN	M.T.	DATE	20/07/2017
DRAWN	D.D.		

PROJECT MANAGER

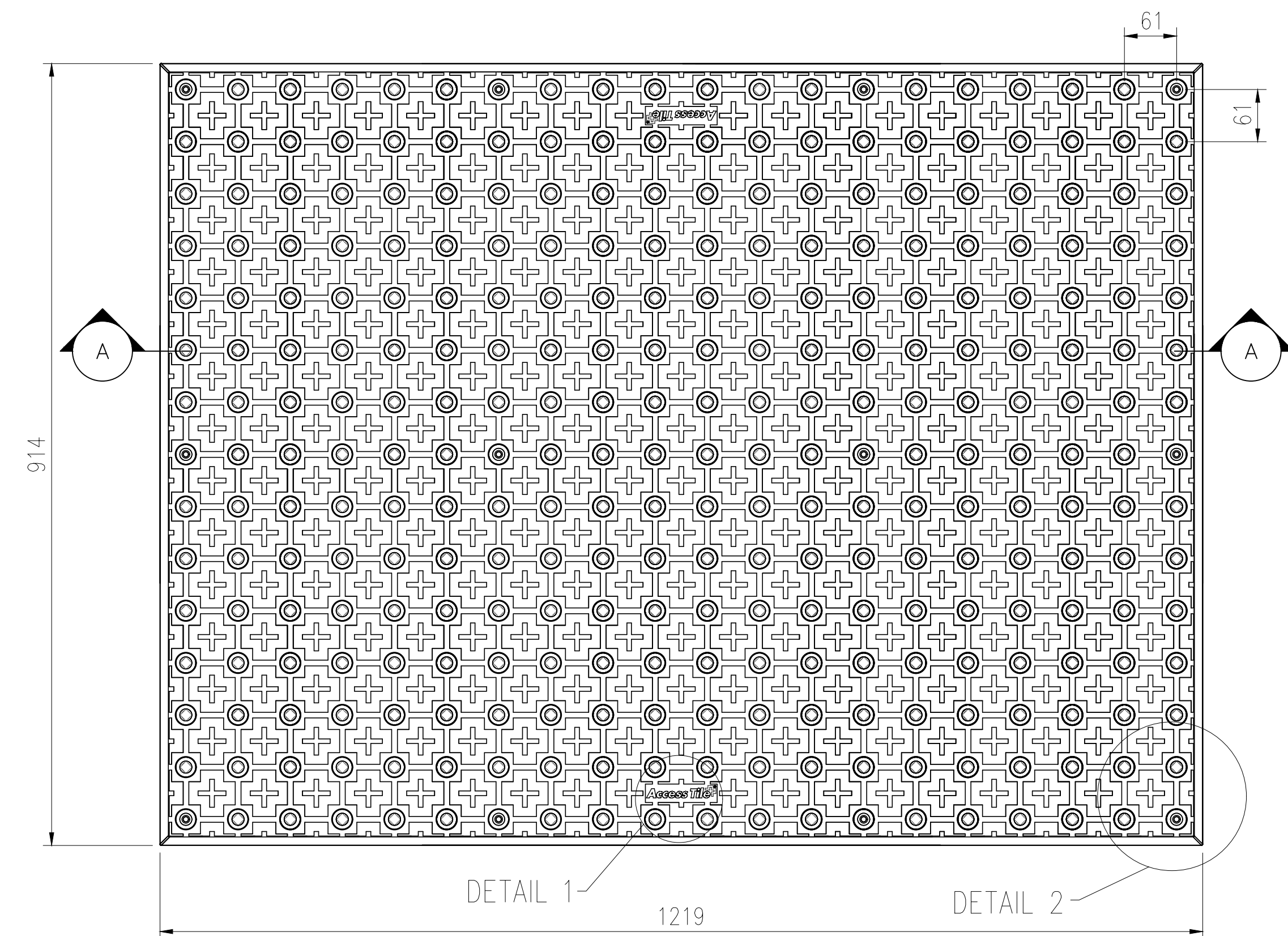
TRADE TWSI PART NO. ACC-S-3648

MATERIAL POLYMER COMPOSITE

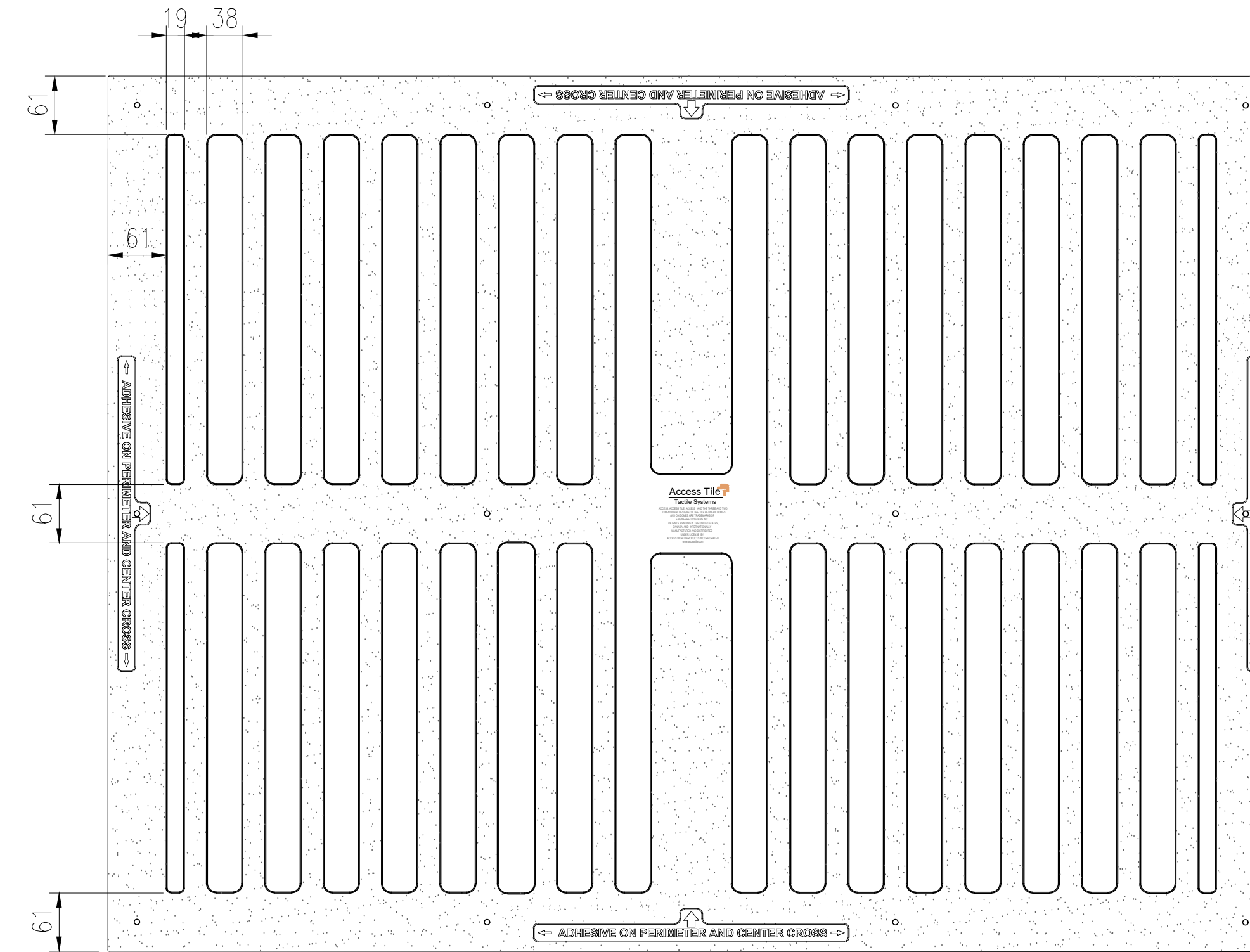
SUBJECT **Access Tile**
TRUNCATED DOME, TACTILE WALKING SURFACE INDICATOR TILE

PROJECT
TRUNCATED DOME, TACTILE WALKING SURFACE INDICATOR 914 x 1220 SURFACE APPLIED
INLINE DOME TILE DRAWING

DRAWING NO. ACC-S-3648 REV. NO. 0



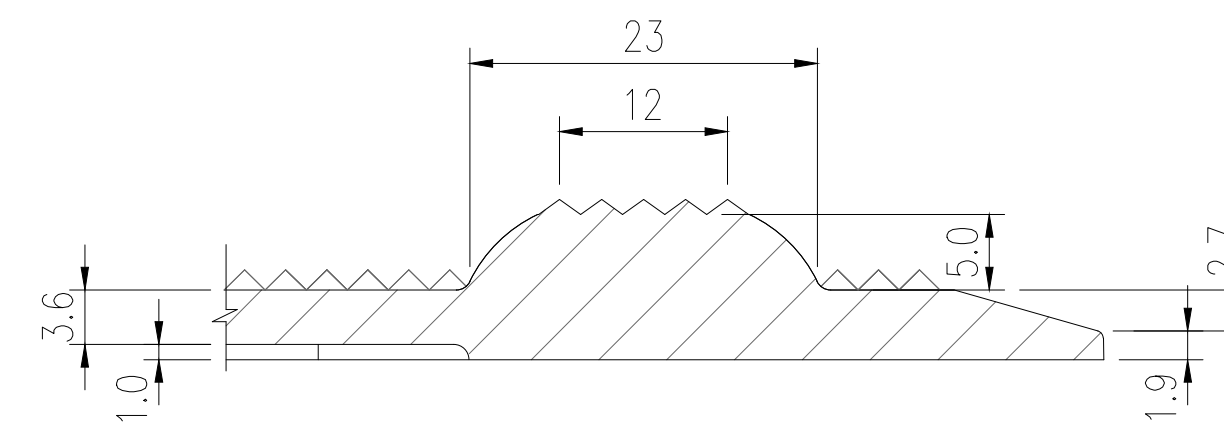
PLAN VIEW



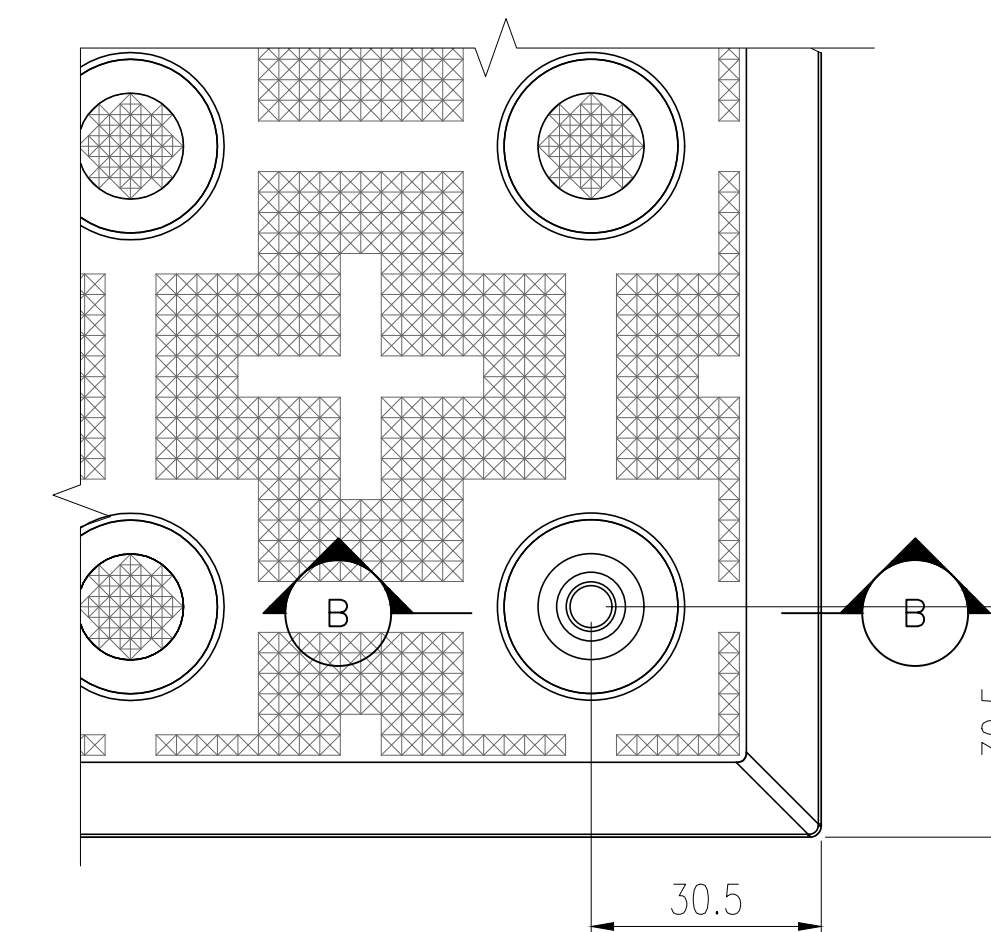
UNDERSIDE VIEW



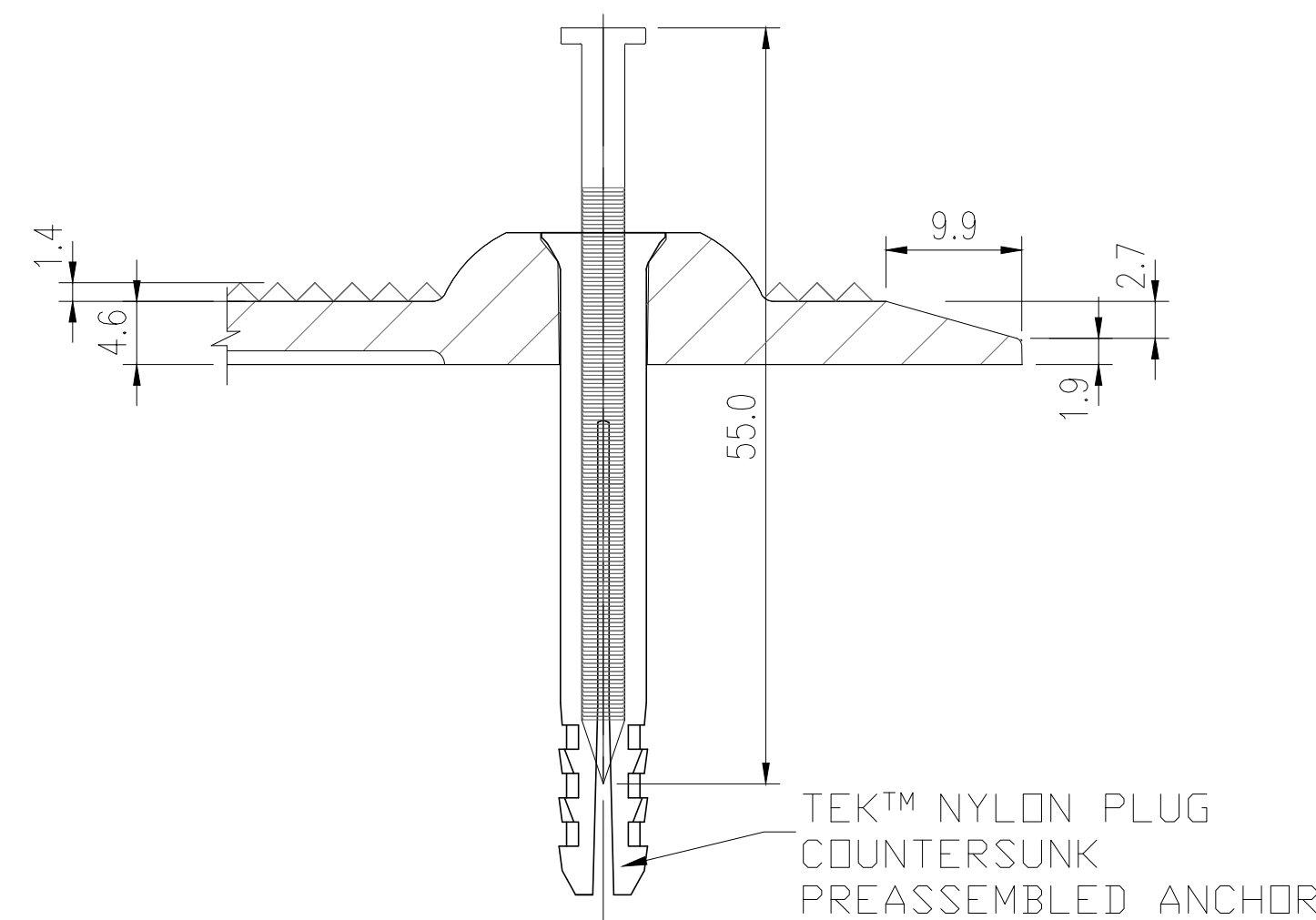
SECTION A-A



DETAIL 3



DETAIL 2



SECTION B-B



DETAIL 1



ENGINEERED PRODUCTS

www.kinesik.ca

© KINESIK ENGINEERED PRODUCTS

ACCESS, ACCESS TILE, ACCESS + AND THE TWO AND THREE DIMENSIONAL DESIGNS ON THE DOMES ARE TRADEMARKS OF ENGINEERED SYSTEMS INC. PATENTS PENDING IN THE USA, CANADA AND INTERNATIONALLY. DISTRIBUTED UNDER LICENSE BY KINESIK ENGINEERED PRODUCTS.

© KENNETH E. SZEKELY

MATERIAL LIST

ITEM	DESCRIPTION	PART NO.	QTY
1	ACCESS TILE	ACC-S-36x60	1
2	TeK™ ANCHOR	ADA-FAST	15
3	TACTILE BOND AND SEAL	TBS-010	1 ea

NOTE: ANCHORS ARE INCLUDED AND ASSEMBLED ON TILE.

REFERENCE DRAWINGS

DWG. NO.	DESCRIPTION

No.	DATE	REVISION	APPR.

SCALE N.T.S.

DESIGNED	KES	DATE	09/15/2014
DRAWN	M.T.	DATE	20/07/2017
DRAWN	D.D.		

PROJECT MANAGER

TRADE	TWSI	PART NO.	ACC-S-36x60
-------	------	----------	-------------

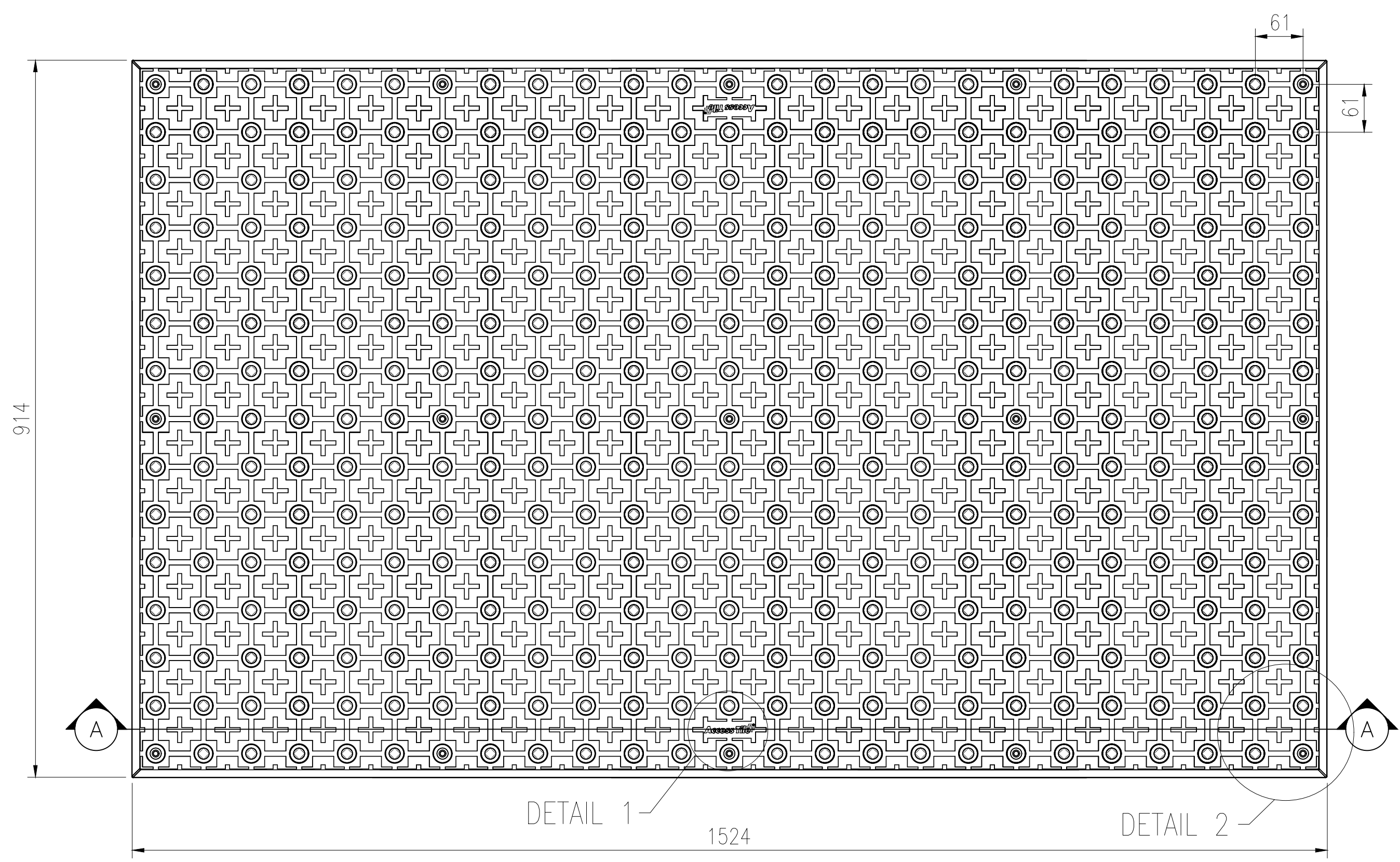
MATERIAL POLYMER COMPOSITE

SUBJECT

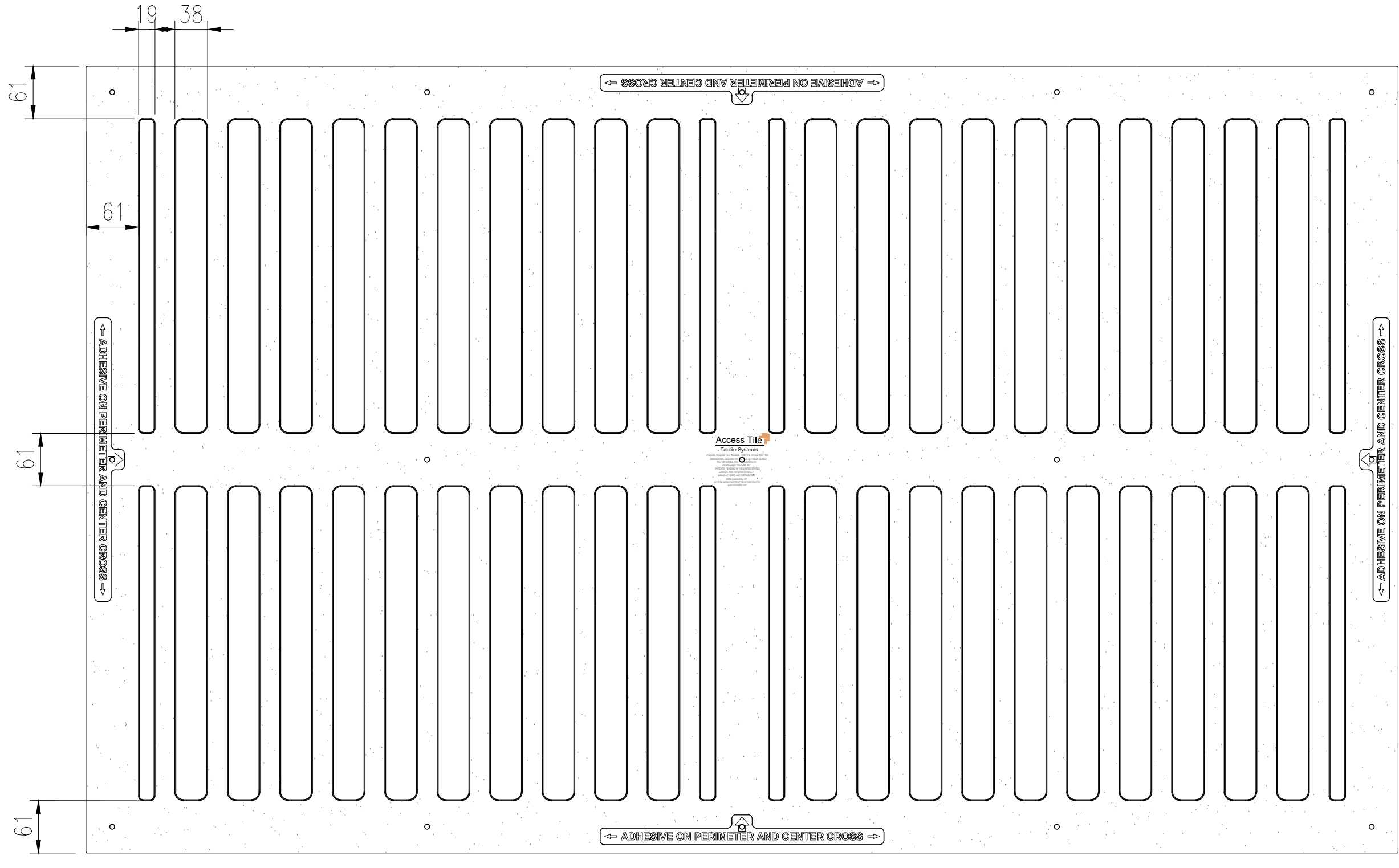
TRUNCATED DOME, TACTILE WALKING SURFACE INDICATOR TILE

PROJECT
TRUNCATED DOME, TACTILE WALKING SURFACE INDICATOR 914 x 1524 SURFACE APPLIED INLINE DOME TILE DRAWING

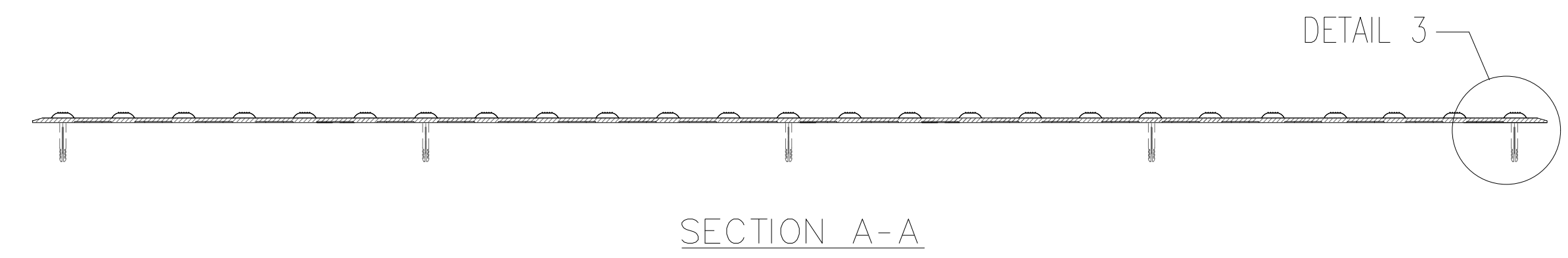
DRAWING NO.	ACC-S-36x60	REV. NO.	0
-------------	-------------	----------	---



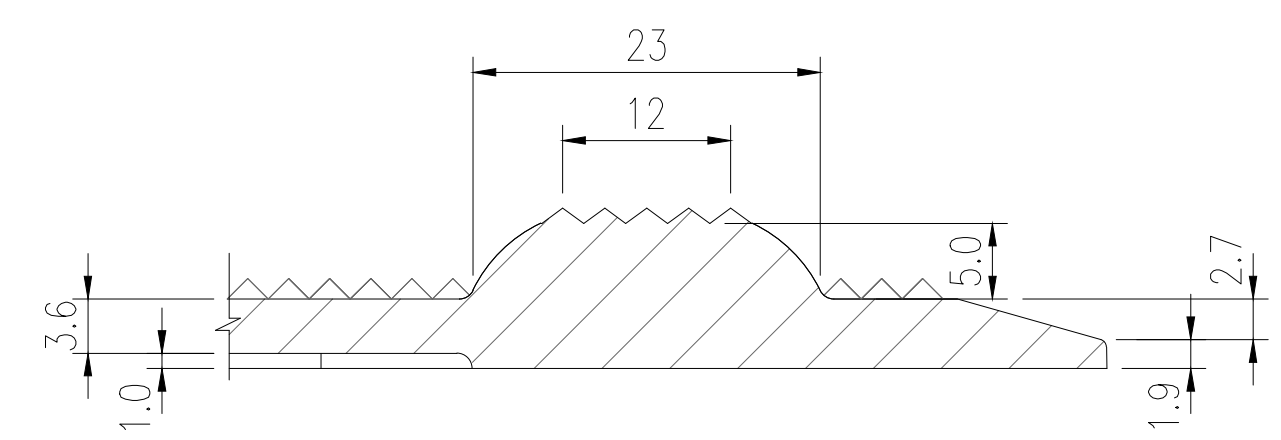
PLAN VIEW



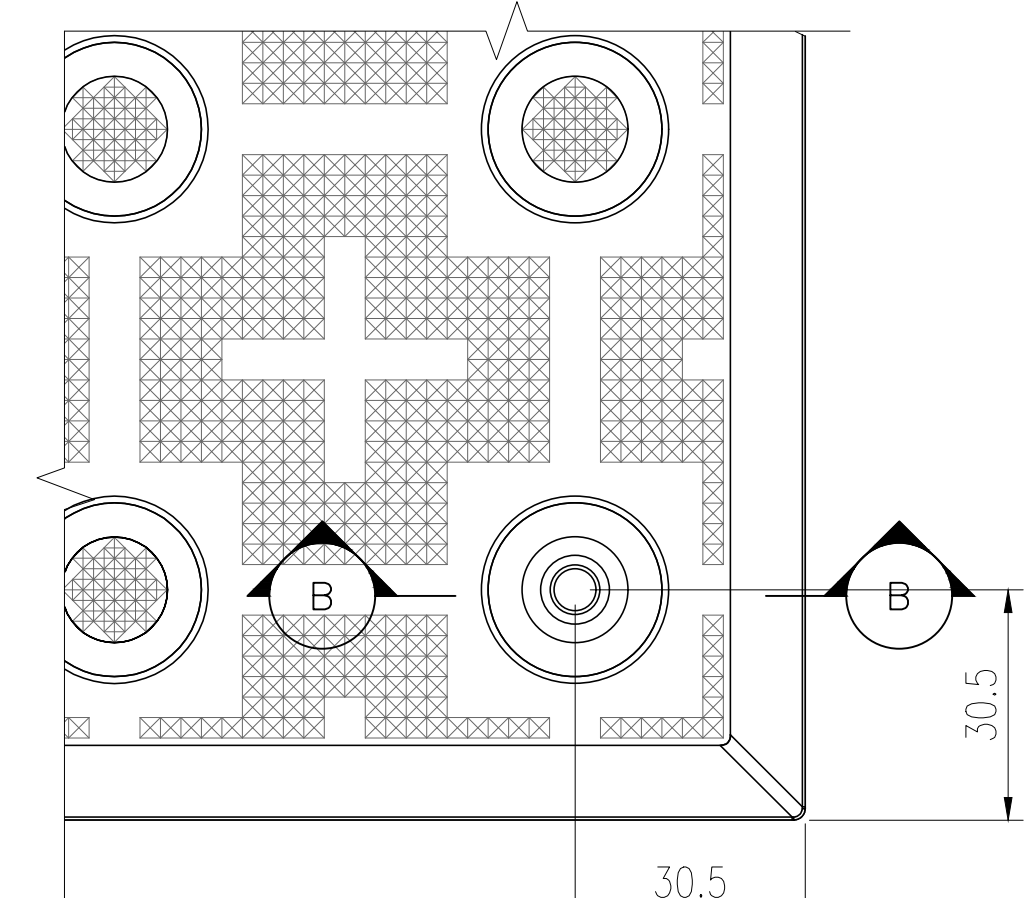
UNDERSIDE VIEW



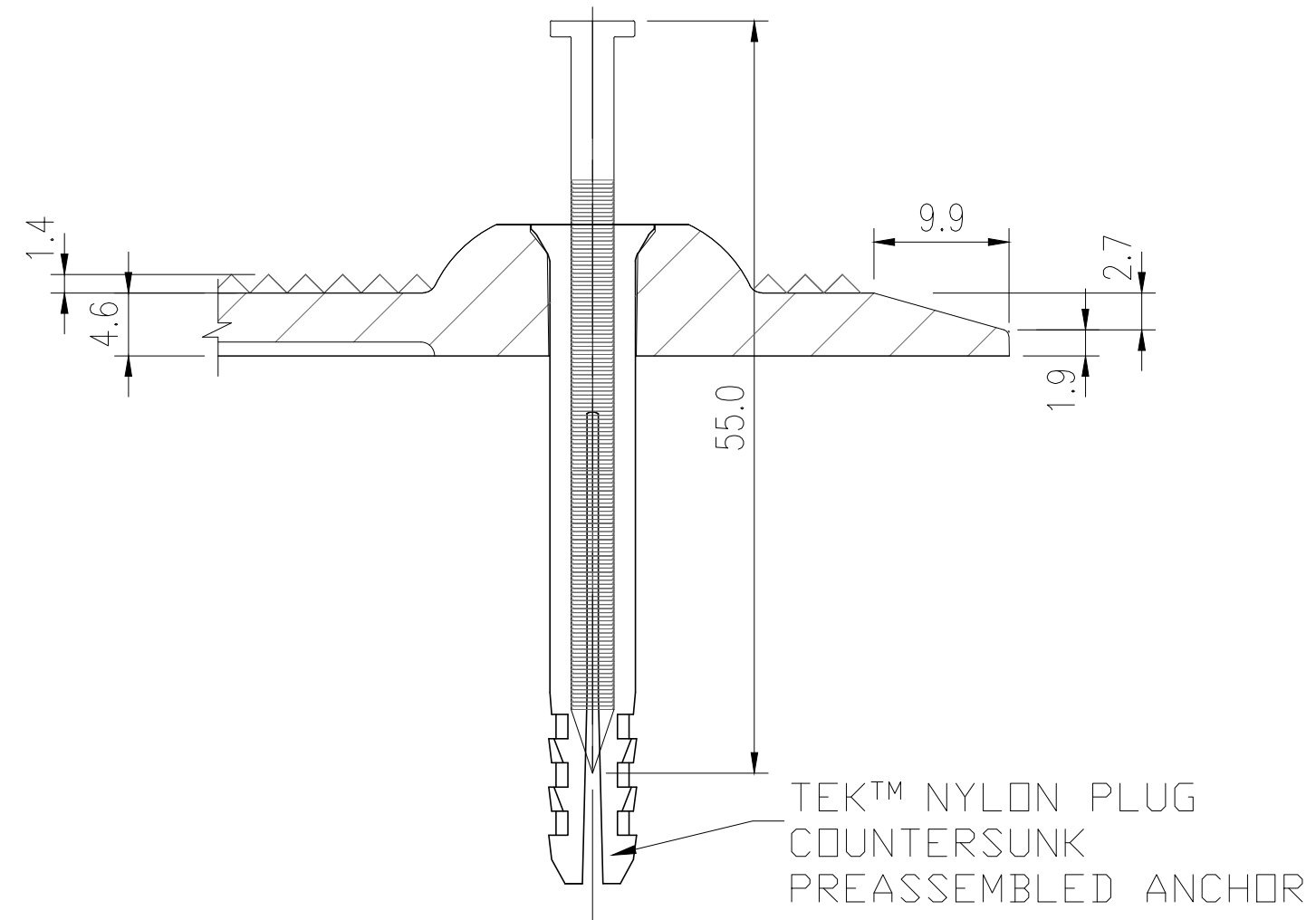
SECTION A-A



DETAIL 3



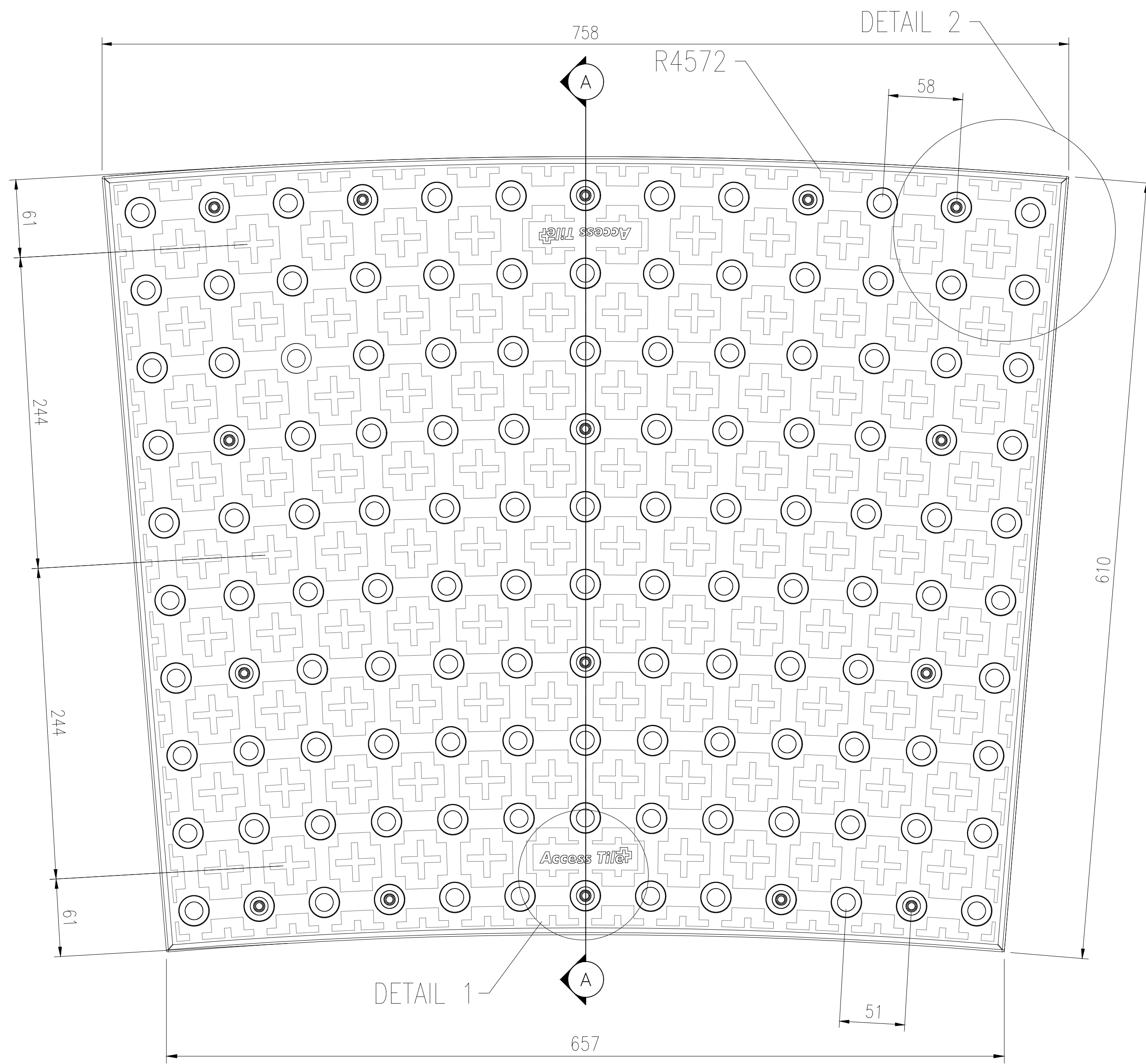
DETAIL 2



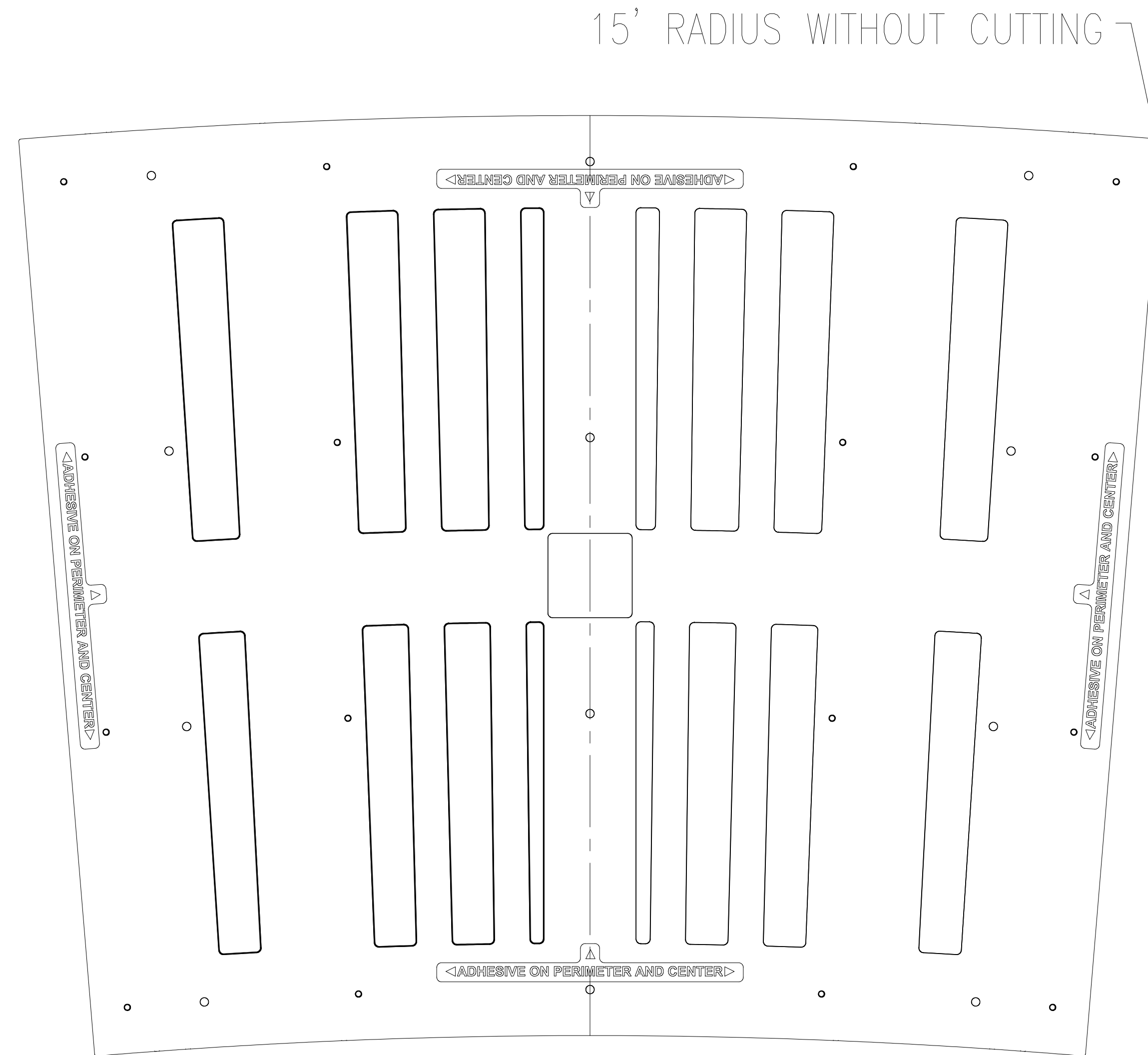
DETAIL 4



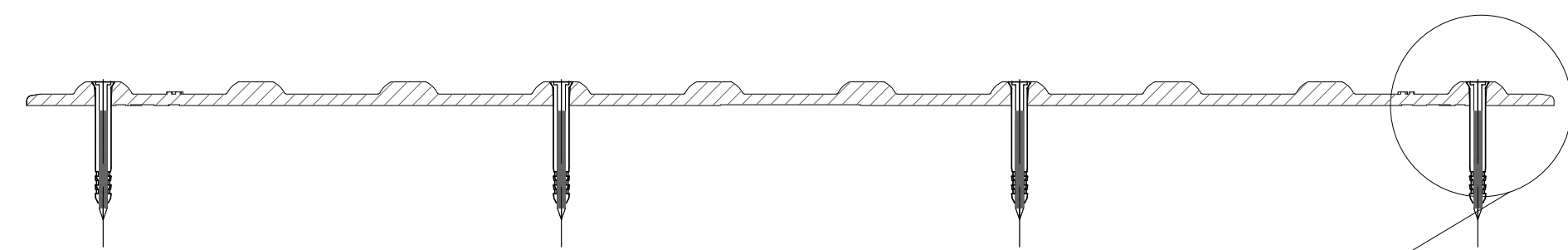
DETAIL 1



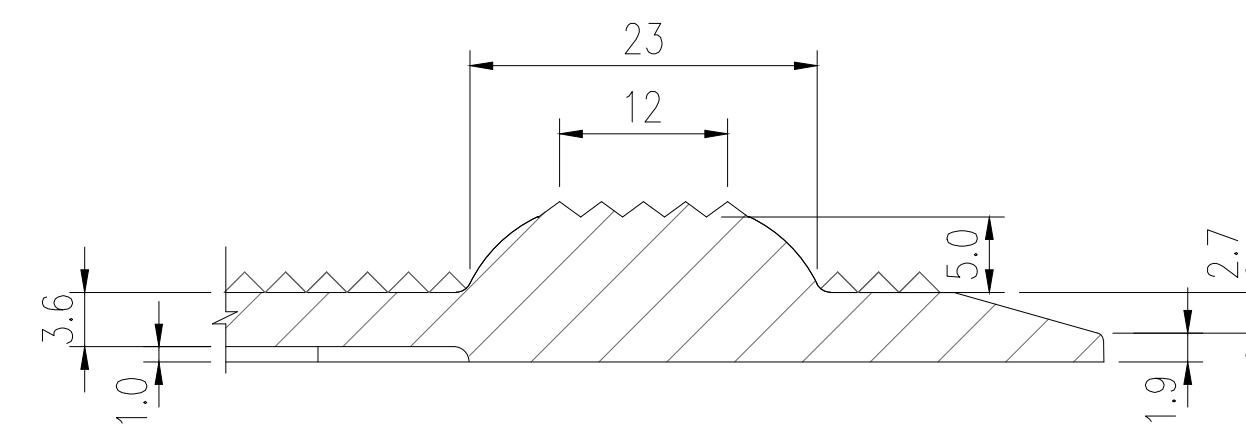
PLAN VIEW



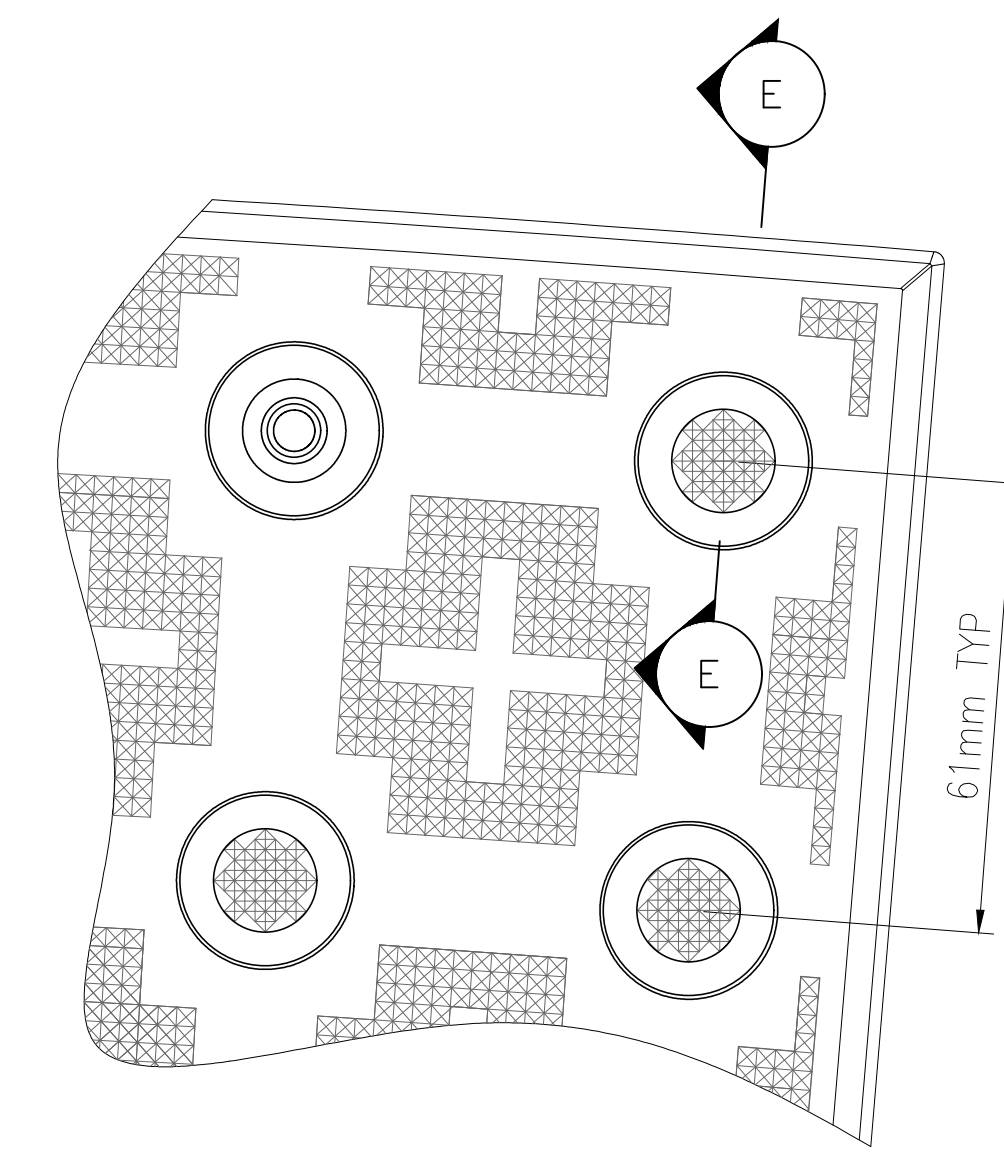
UNDERSIDE VIEW



SECTION A-A



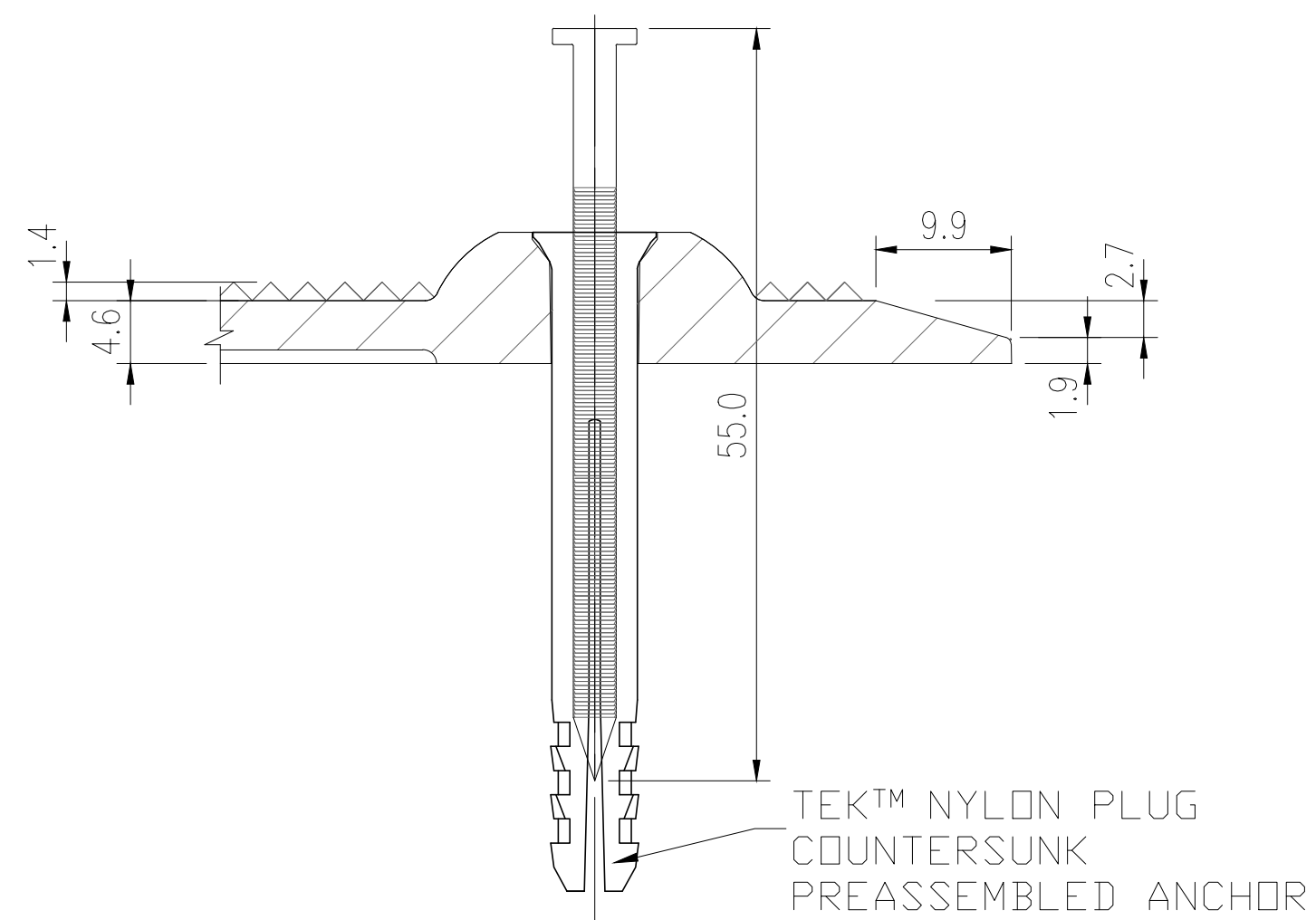
SECTION E-E



DETAIL 2



DETAIL 1



DETAIL 3



ENGINEERED PRODUCTS

www.kinesik.ca

© KINESIK ENGINEERED PRODUCTS

ACCESS, ACCESS TILE, ACCESS + AND THE TWO AND THREE DIMENSIONAL DESIGNS ON THE DOMES ARE TRADEMARKS OF ENGINEERED SYSTEMS INC. PATENTS PENDING IN THE USA, CANADA AND INTERNATIONALLY. DISTRIBUTED UNDER LICENSE BY KINESIK ENGINEERED PRODUCTS.

© KENNETH E. SZEKELY

MATERIAL LIST

ITEM	DESCRIPTION	PART NO.	QTY
1	ACCESS TILE	ACC-S-3024CRV	1
2	TeK™ ANCHOR	ADA-FAST	16
3	TACTILE BOND AND SEAL	TBS-010	1 ea

NOTE: ANCHORS ARE INCLUDED AND ASSEMBLED ON TILE.

REFERENCE DRAWINGS

DWG. NO.	DESCRIPTION

No.	DATE	REVISION	APPR.

SCALE N.T.S.

DESIGNED	KES	DATE	09/15/2014
DRAWN	M.T.	DATE	20/07/2017
DRAWN	D.D.		

PROJECT MANAGER

TRADE	TWSI	PART NO.	ACC-R-3024CRV
-------	------	----------	---------------

MATERIAL POLYMER COMPOSITE

SUBJECT 
TRUNCATED DOME, TACTILE WALKING SURFACE INDICATOR TILE

PROJECT
TRUNCATED DOME, TACTILE WALKING SURFACE INDICATOR 610 x 758
SURFACE APPLIED
INLINE DOME RADIUS TILE DRAWING

DRAWING NO.	ACC-S-3024CRV	REV. NO.	0
-------------	---------------	----------	---