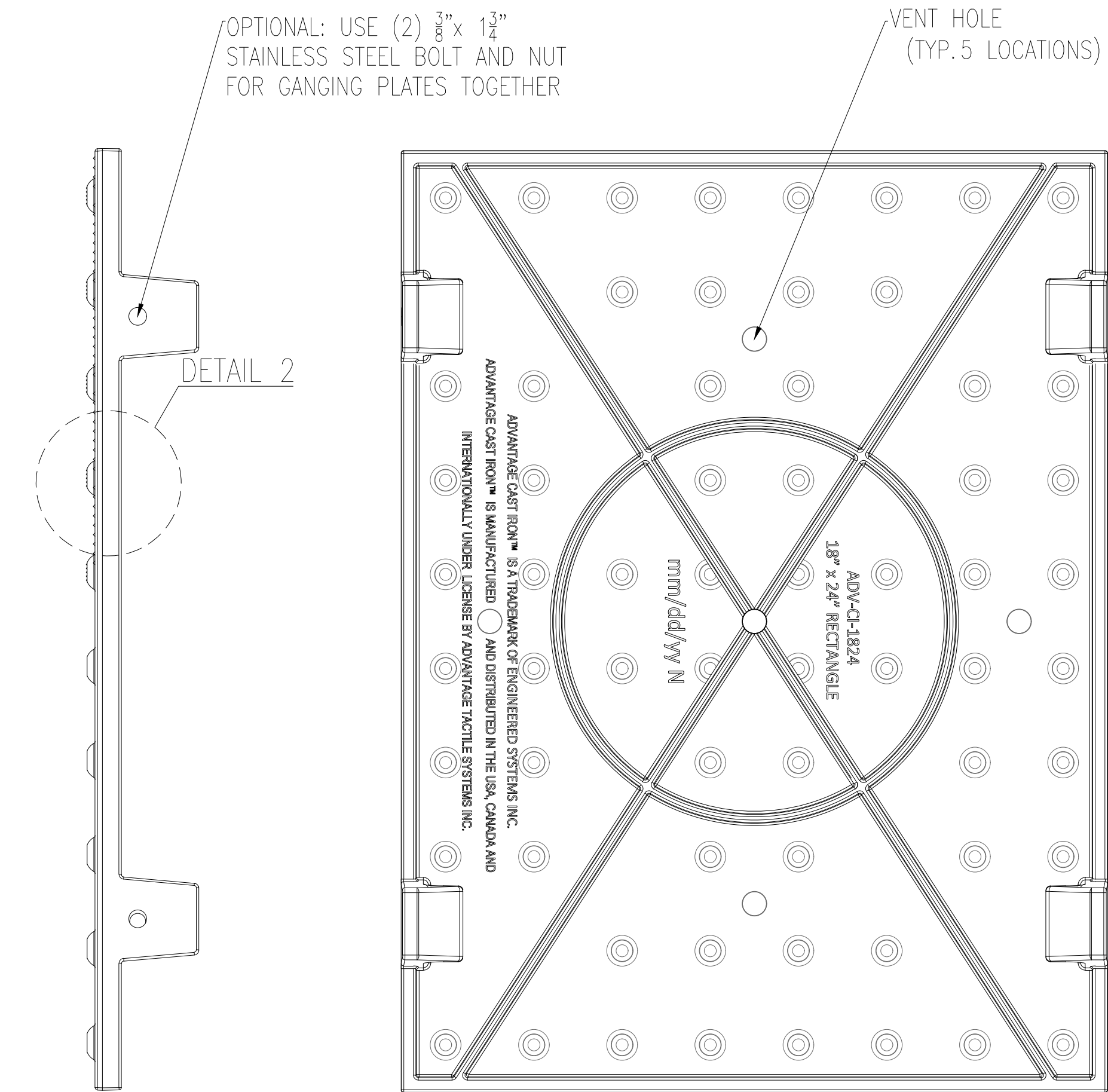
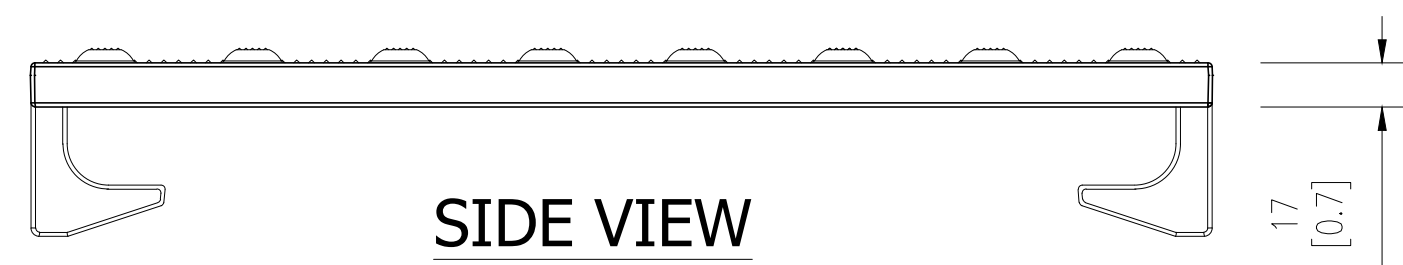


TOP PLAN VIEW

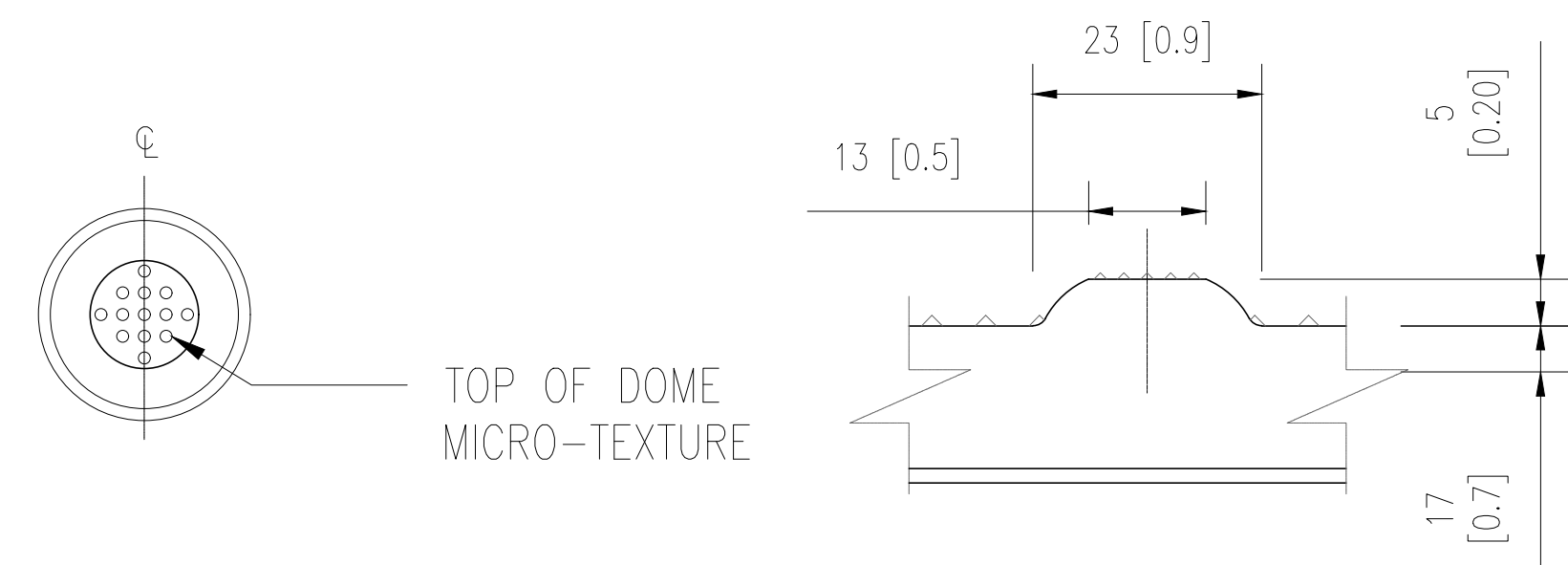


SIDE VIEW

BOTTOM PLAN VIEW

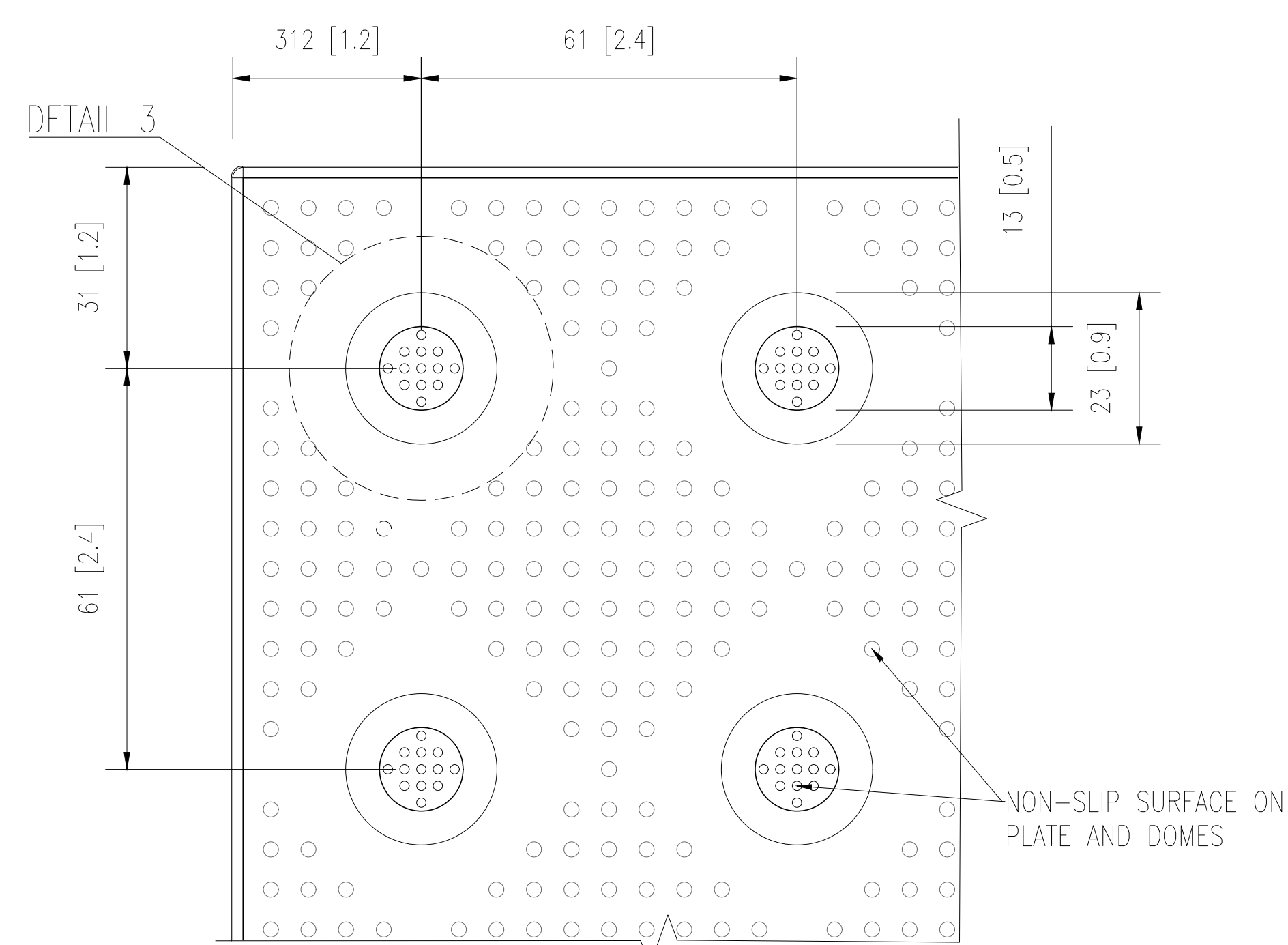


SIDE VIEW



DETAIL 3

DETAIL 2



DETAIL 1



ENGINEERED PRODUCTS

www.kinesik.ca

COPYRIGHT © KINESIK ENGINEERED PRODUCTS

CONFIDENTIAL AND PROPRIETARY DOCUMENT
REGISTERED TRADEMARKS AND PATENTS ARE
PROPERTY OF KINESIK ENGINEERED PRODUCTS
INCORPORATED.

PATENTS PENDING, ALL RIGHTS RESERVED

ITEM	DESCRIPTION	PART NO.	QTY
1	CAST IRON TWSI PLATE	ADV-CI-1824	1

REFERENCE DRAWINGS

DWG. NO.	DESCRIPTION

ESTIMATED WEIGHT: 29lbs
COMPLIES WITH:
CSA, B651, ISO, 23599, AODA

TOERANCES:
LENGTH AND WIDTH: ±5mm (<1%)
MFG. TO MEET ISO-8062

NO.	DATE	REVISION	APPR.
3	05/11/17	REVISED DETAIL 2	DD
2	04/08/16	REVISED & ADDED	AI
1	04/01/15	DETAILS ADDED	DD
0			DD

SCALE

N.T.S.

DESIGNED	K.S.	DATE	01/28/2015
DRAWN	M.T.		05/11/2017
DRAWN	D.D.		05/11/2017

PROJECT MANAGER

TRADE	TWSI	PART NO.	ADV-CI-1824
-------	------	----------	-------------

MATERIAL
GREY CAST IRON / ASTM A48 CLASS 35B

SUBJECT

Advantage[®]

PROJECT
ADVANTAGE CAST IRON
TACTILE WALKING SURFACE INDICATOR PLATE
458mm [18"] x 610mm [24"]

DRAWING NO.	ADV-CI-1824	REV. NO.	3
-------------	-------------	----------	---



ENGINEERED PRODUCTS

www.kinesik.ca

COPYRIGHT © KINESIK ENGINEERED PRODUCTS

CONFIDENTIAL AND PROPRIETARY DOCUMENT
REGISTERED TRADEMARKS AND PATENTS ARE
PROPERTY OF KINESIK ENGINEERED PRODUCTS
INCORPORATED.

PATENTS PENDING, ALL RIGHTS RESERVED

ITEM	DESCRIPTION	PART NO.	QTY
1	CAST IRON TWSI PLATE	ADV-CI-2424	1

REFERENCE DRAWINGS

DWG. NO.	DESCRIPTION

ESTIMATED WEIGHT: 37lbs
COMPLIES WITH:
CSA, B651, ISO, 23599, AODA

TOERANCES.
LENGTH AND WIDTH: ±5mm (±1%)
MFG. TO MEET ISO-8062

NO.	DATE	REVISION	APPR.
3	05/11/17	REVISED DETAIL 2	DD
2	04/08/16	REVISED & ADDED	AI
1	04/01/15	DETAILS ADDED	DD
0	02/27/15		DD

SCALE

N.T.S.

DESIGNED	K.S.	DATE	01/28/2015
DRAWN	M.T.	DATE	05/11/2017
DRAWN	D.D.	DATE	05/11/2017

PROJECT MANAGER

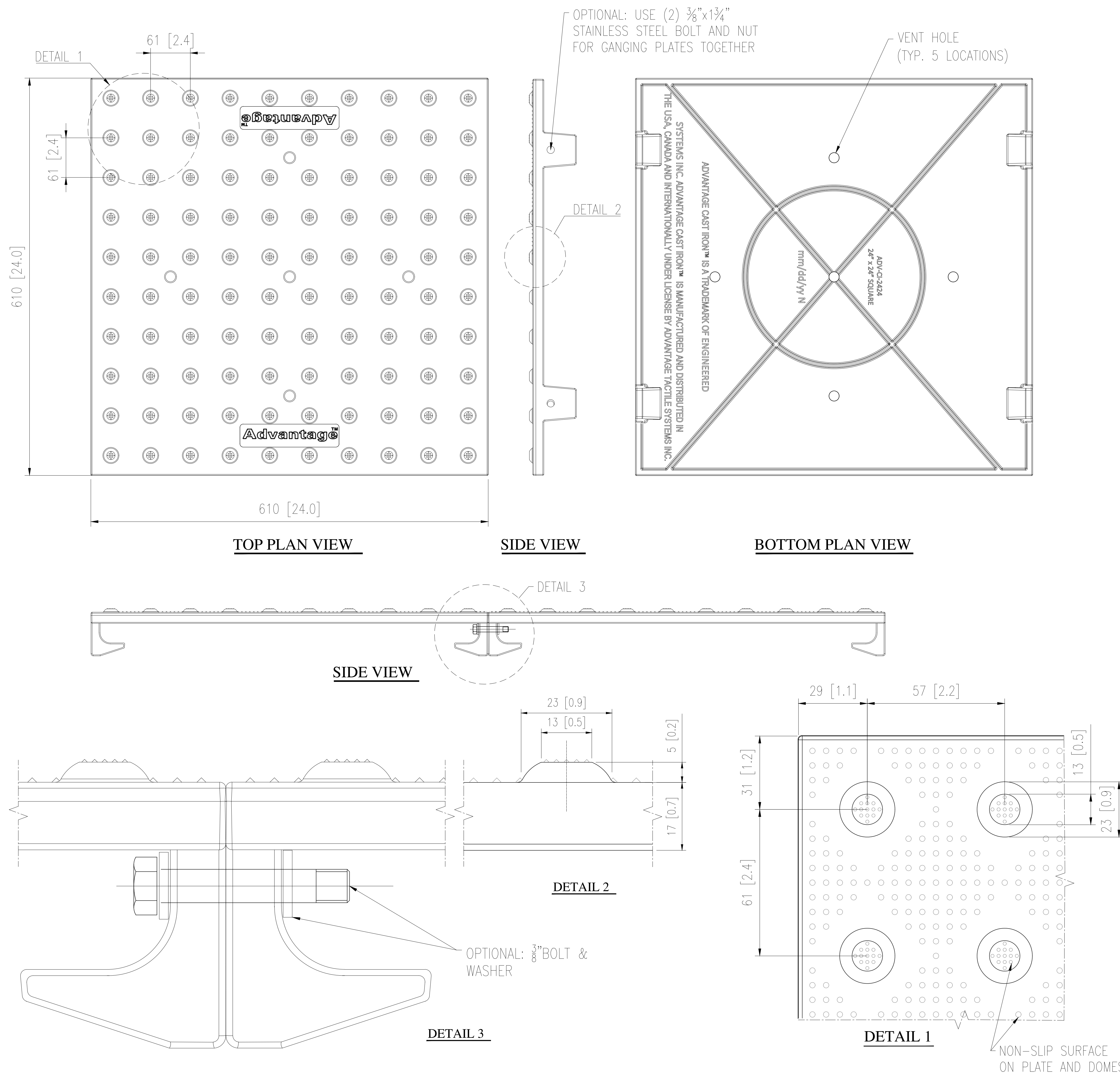
TRADE	TWSI	PART NO.	ADV-CI-2424
-------	------	----------	-------------

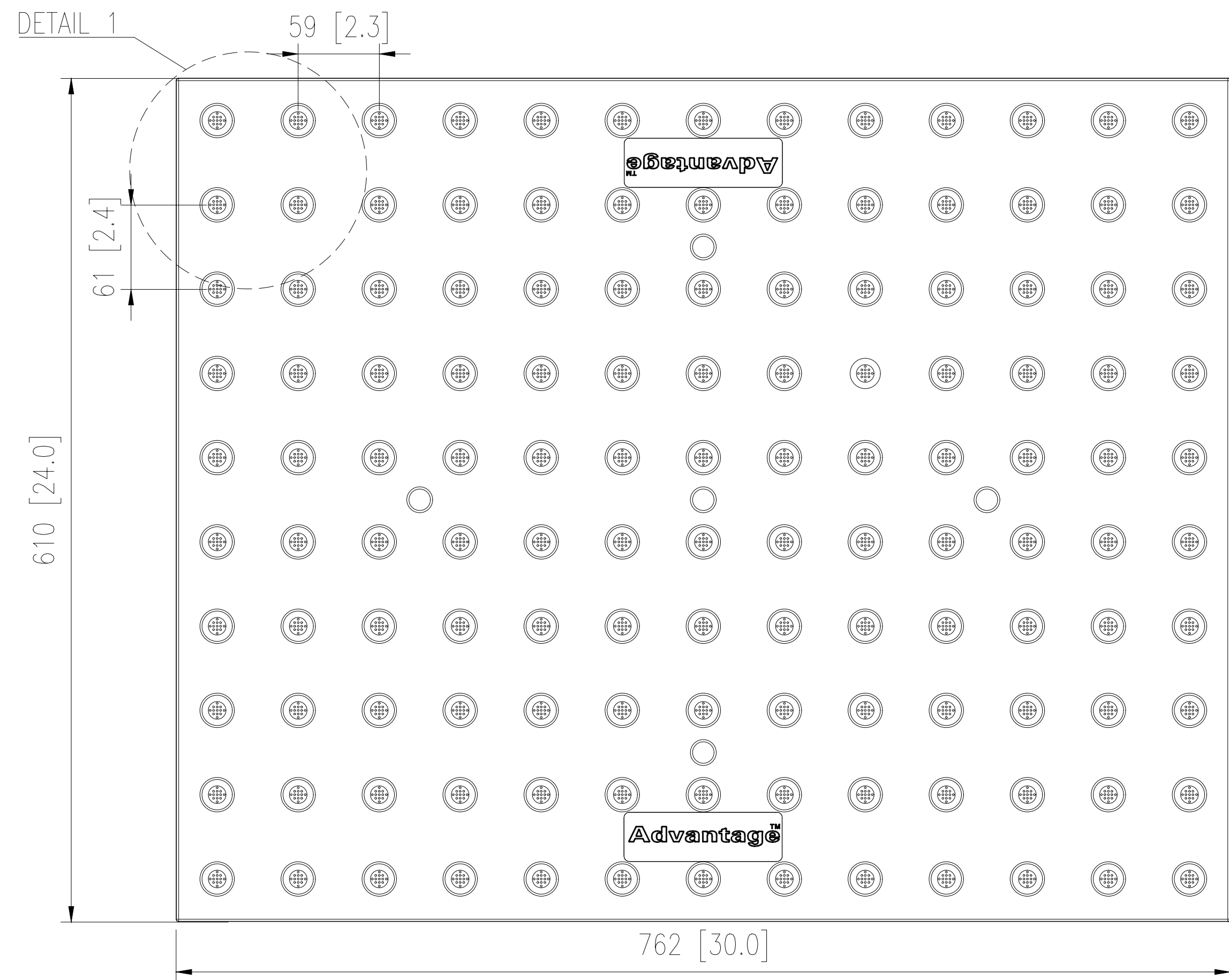
MATERIAL
GREY CAST IRON / ASTM A48 CLASS 35B

SUBJECT
Advantage®

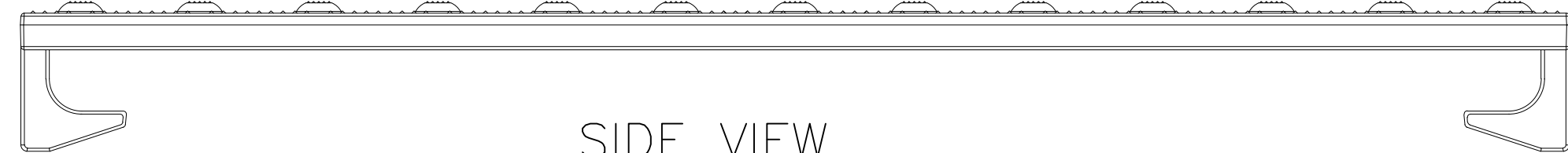
PROJECT
ADVANTAGE CAST IRON
TACTILE WALKING SURFACE INDICATOR PLATE
610mm [24"] x 610mm [24"]

DRAWING NO.	ADV-CI-2424	REV. NO.	3
-------------	-------------	----------	---

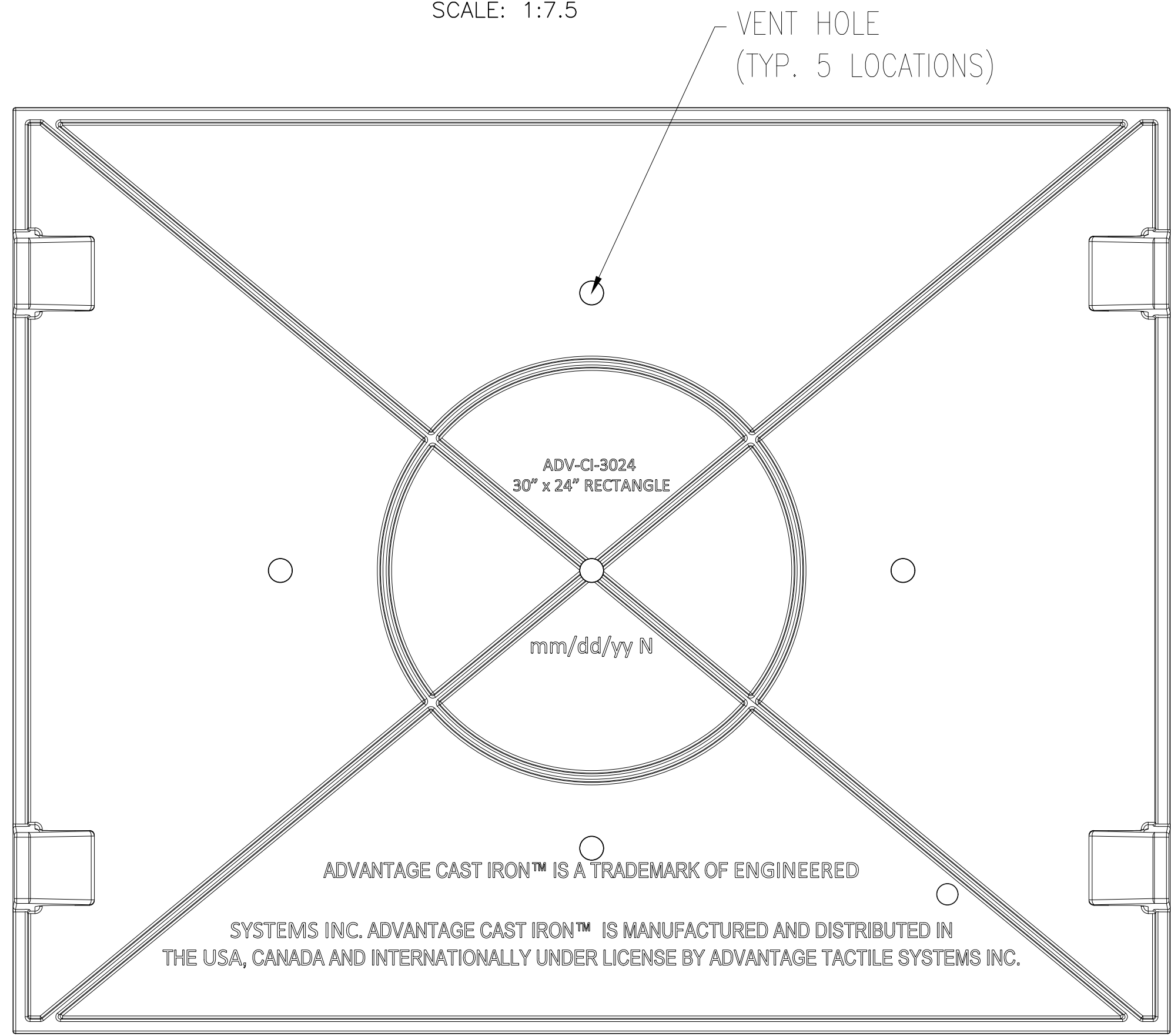




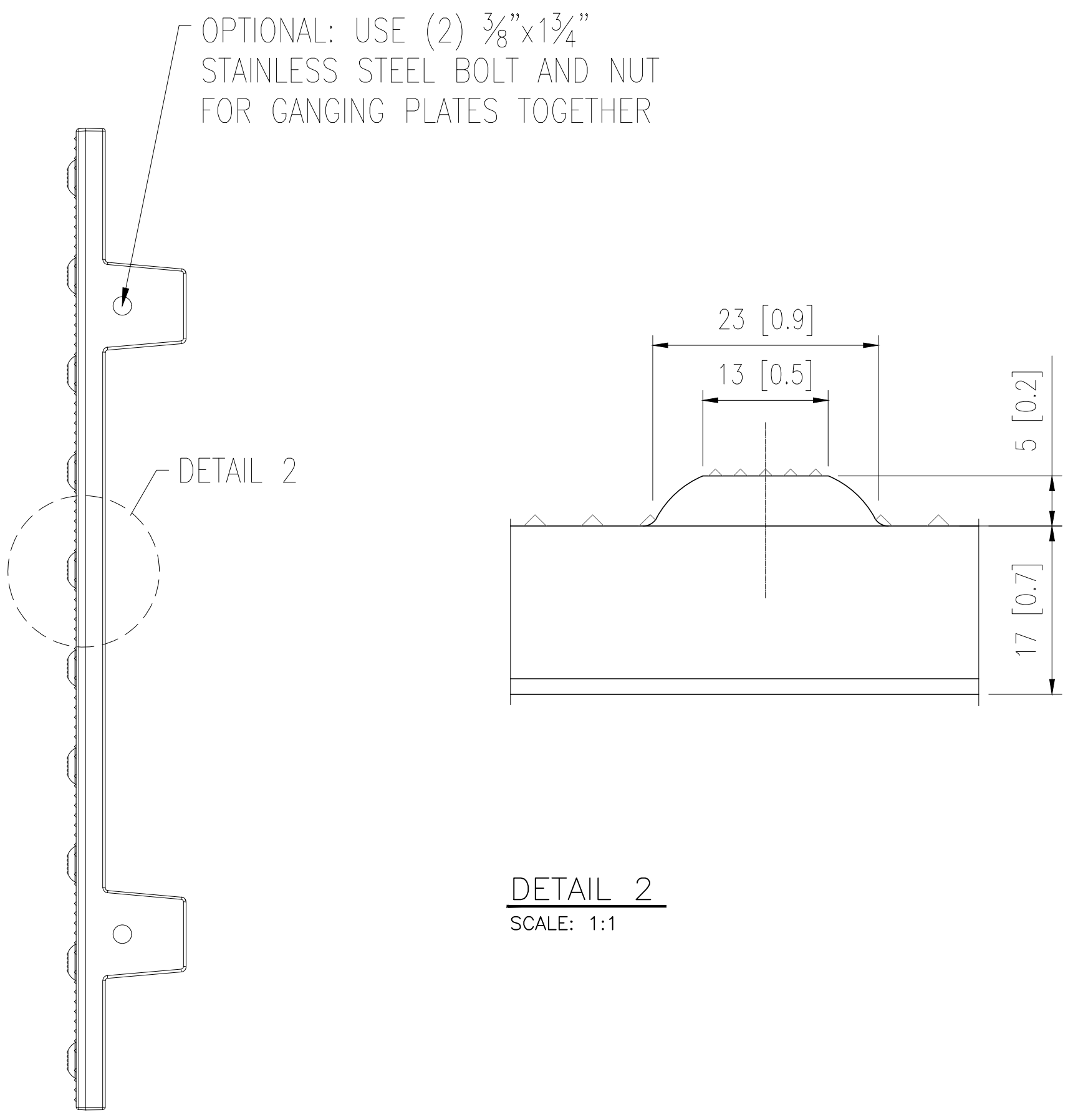
TOP PLAN VIEW
SCALE: 1:7.5



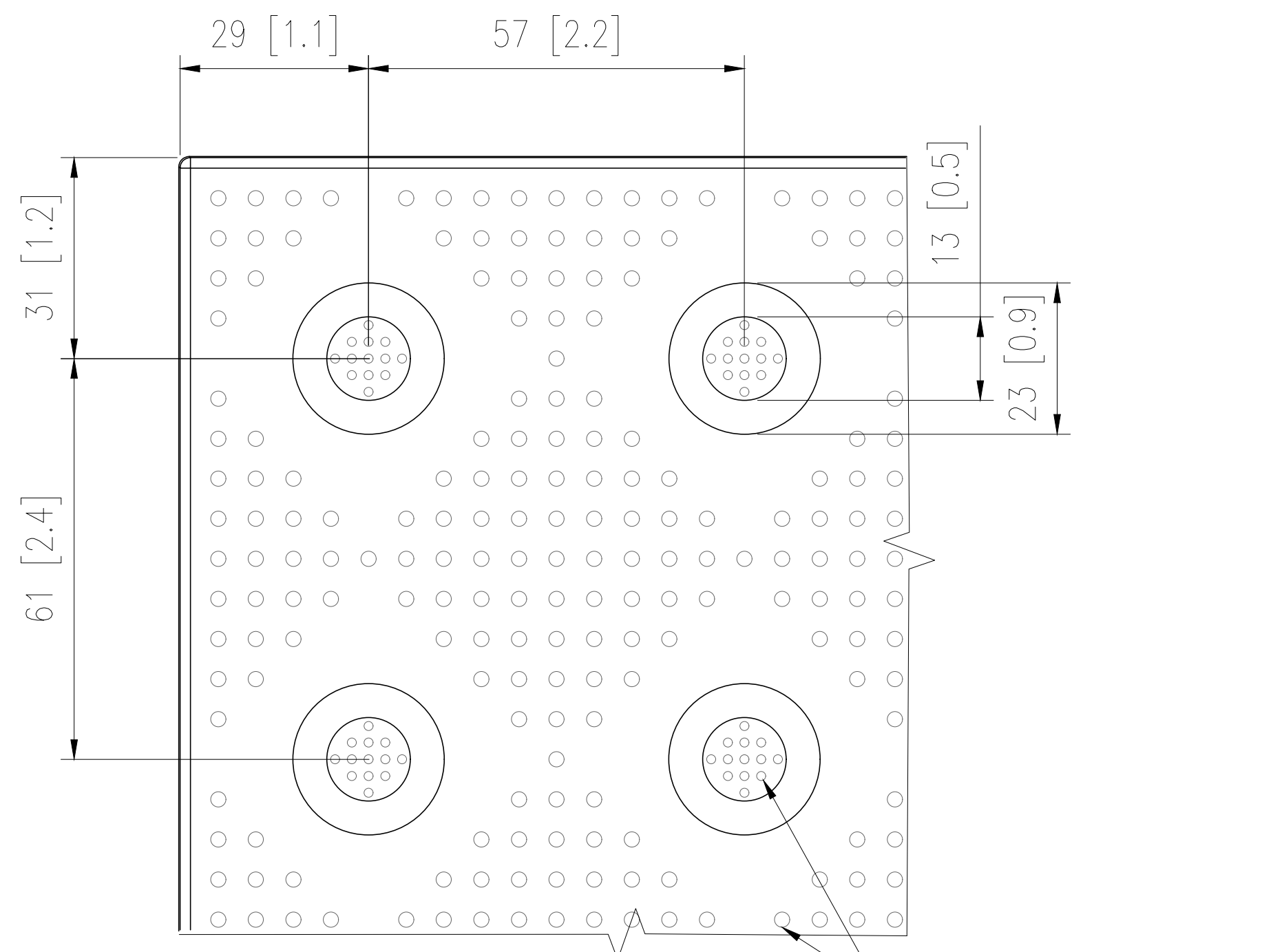
SIDE VIEW
SCALE: 1:7.5



BOTTOM PLAN VIEW
SCALE: 1:7.5



DETAIL 2
SCALE: 1:1



DETAIL 1
SCALE: 1:2



ENGINEERED PRODUCTS

www.kinesik.ca

COPYRIGHT © KINESIK ENGINEERED PRODUCTS

CONFIDENTIAL AND PROPRIETARY DOCUMENT
REGISTERED TRADEMARKS AND PATENTS ARE
PROPERTY OF KINESIK ENGINEERED PRODUCTS
INCORPORATED.

PATENTS PENDING, ALL RIGHTS RESERVED

ITEM	DESCRIPTION	PART NO.	QTY
1	CAST IRON TWSI PLATE	ADV-CI-3024	1

REFERENCE DRAWINGS

DWG. NO.	DESCRIPTION

ESTIMATED WEIGHT: 54lbs
COMPLIES WITH:
CSA B651, ISO, 23599, AODA

TOLERANCES:
LENGTH AND WIDTH: ±5mm (<1%)
MFG. TO MEET ISO-8062

NO.	DATE	REVISION	APPR.
3	05/11/17	REVISED DETAIL 2	DD
2	04/08/16	REVISED & ADDED	AI
1	04/01/15	DETAILS ADDED	DD
0	02/27/15		DD

SCALE
AS NOTED

DESIGNED	K.S.	DATE	01/28/2015
DRAWN	M.T.	05/11/2017	
DRAWN	D.D.	05/11/2017	

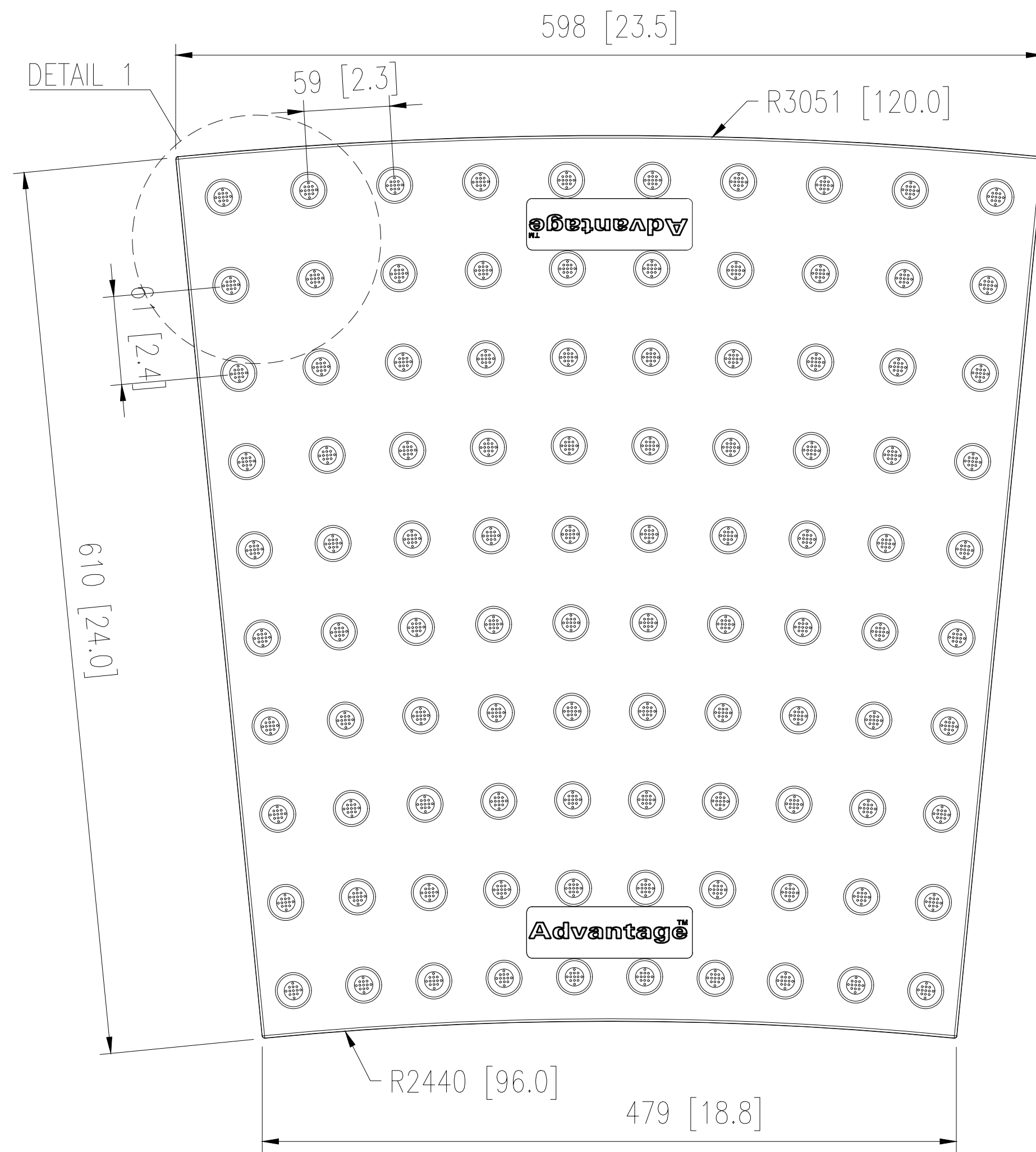
PROJECT MANAGER	
TRADE	TWSI
PART NO.	ADV-CI-3024

MATERIAL
GREY CAST IRON / ASTM A48 CLASS 35B

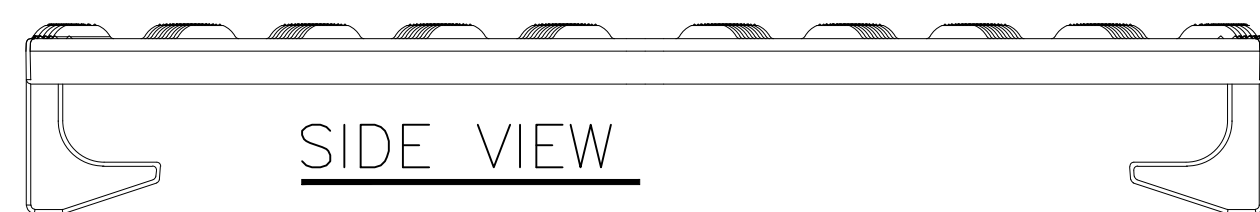
SUBJECT
Advantage®

PROJECT
ADVANTAGE CAST IRON
TACTILE WALKING SURFACE INDICATOR PLATE
762mm [30"] x 610mm [24"]

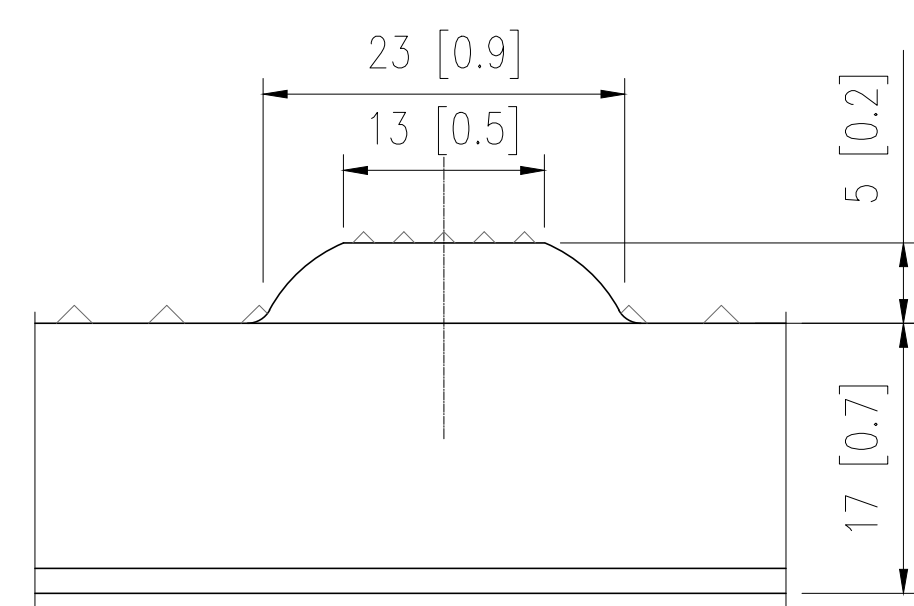
DRAWING NO.	ADV-CI-3024	REV. NO.	2
-------------	-------------	----------	---



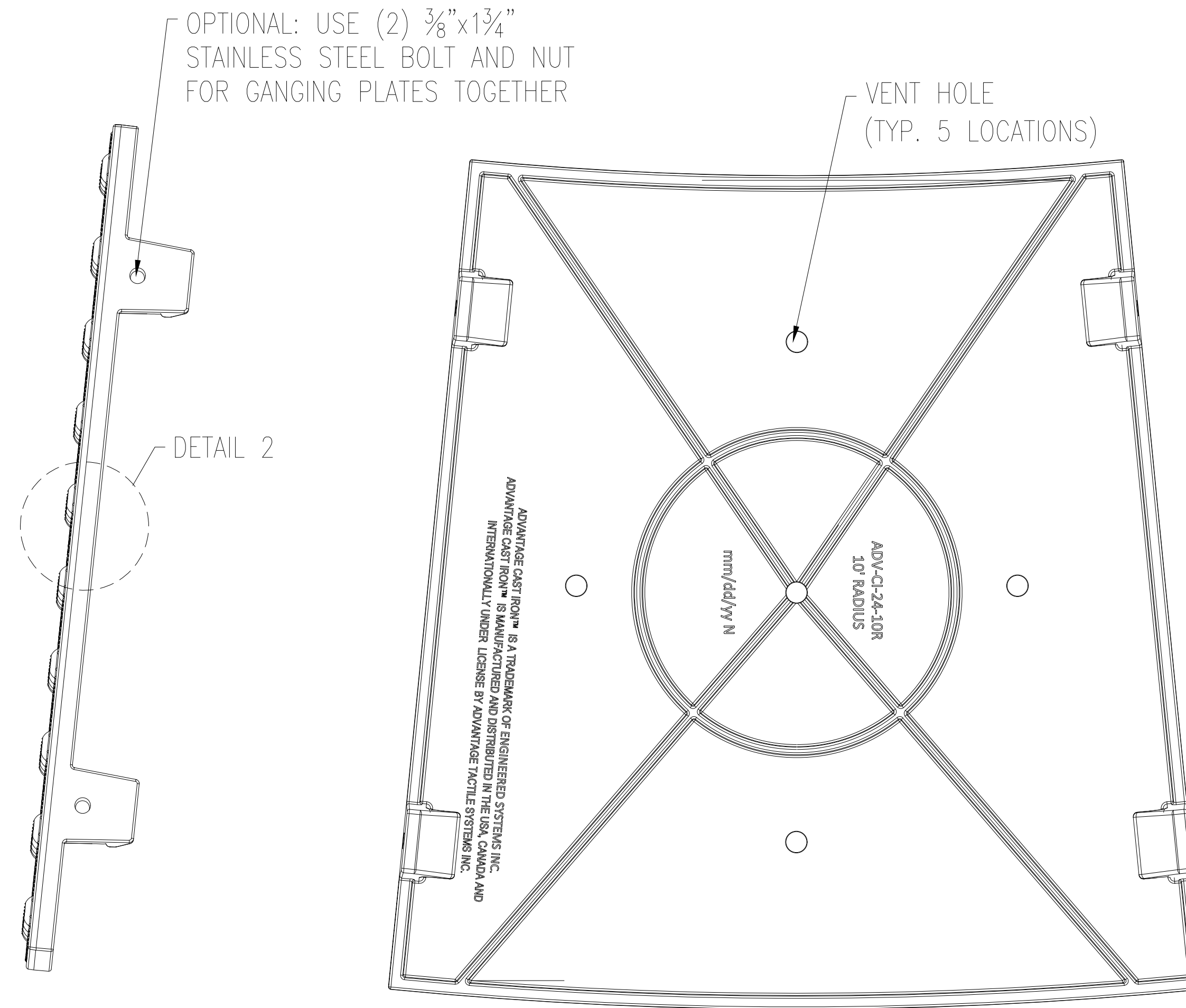
TOP PLAN VIEW



SIDE VIEW

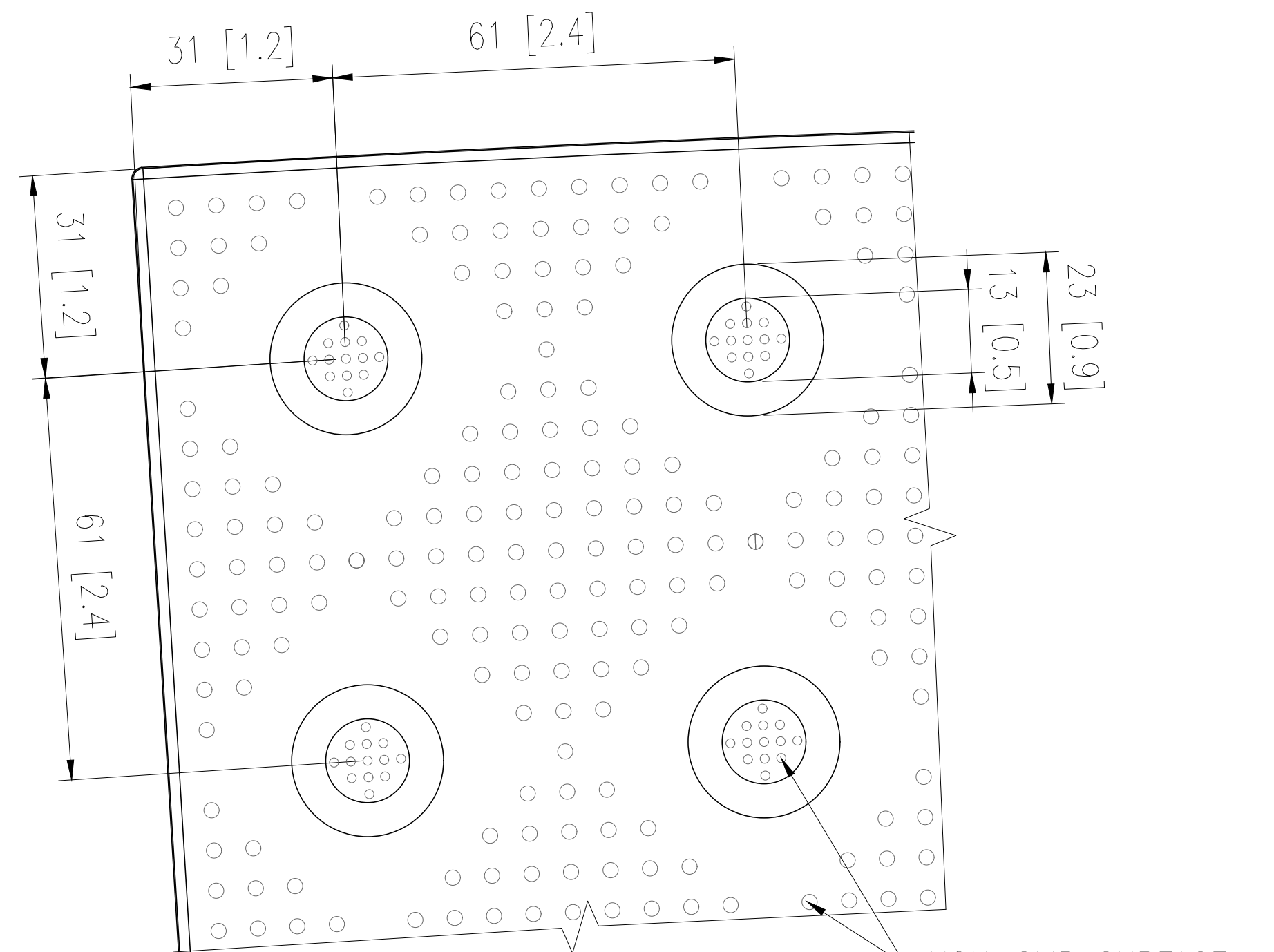


DETAIL 2



SIDE VIEW

BOTTOM PLAN VIEW



DETAIL 1



ENGINEERED PRODUCTS

www.kinesik.ca

COPYRIGHT © KINESIK ENGINEERED PRODUCTS

CONFIDENTIAL AND PROPRIETARY DOCUMENT
REGISTERED TRADEMARKS AND PATENTS ARE
PROPERTY OF KINESIK ENGINEERED PRODUCTS
INCORPORATED.

PATENTS PENDING, ALL RIGHTS RESERVED

ITEM	DESCRIPTION	PART NO.	QTY
1	CAST IRON TWSI PLATE	ADV-CI-24-10R	1

REFERENCE DRAWINGS

DWG. NO.	DESCRIPTION

ESTIMATED WEIGHT: 40lbs
16 PCS MAKE FULL 90° ANGLE

COMPLIES WITH:
CSA B65, ISO, 23599, AODA

TOERANCES.
LENGTH AND WIDTH: ±5mm (<1%)
MFG. TO MEET ISO-8062

NO.	DATE	REVISION	APPR.
3	05/11/17	REVISED DETAIL 2	DD
2	04/08/16	REVISED & ADDED	AI
1	04/01/15	DETAILS ADDED	DD
0	02/27/15		DD

SCALE

N.T.S.

DESIGNED	K.S.	DATE	01/28/2015
DRAWN	M.T.		05/11/2017
DRAWN	D.D.		05/11/2017

PROJECT MANAGER

TRADE	TWSI	PART NO.	ADV-CI-24-10R
-------	------	----------	---------------

MATERIAL
GREY CAST IRON / ASTM A48 CLASS 35B

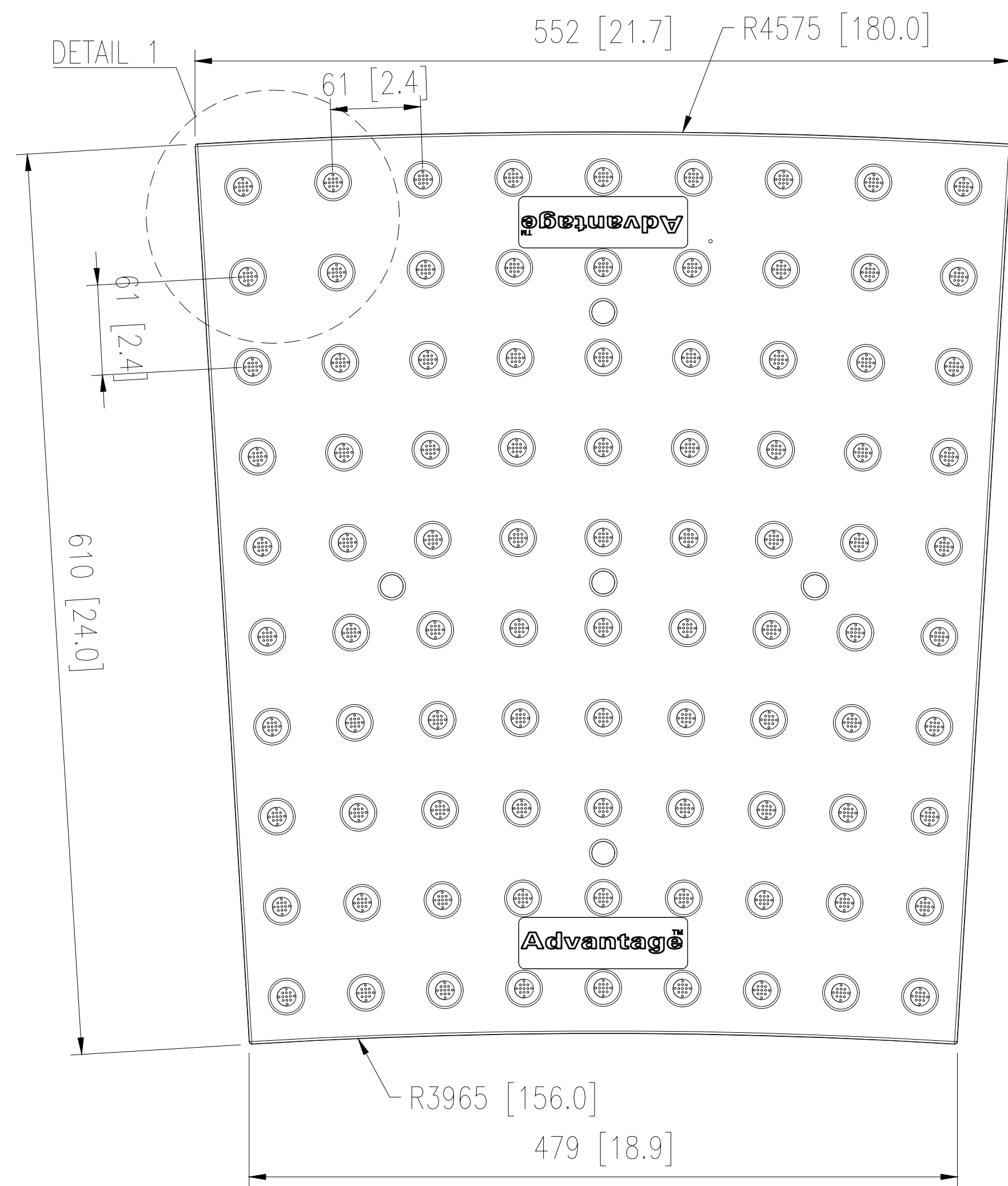
SUBJECT

Advantage®

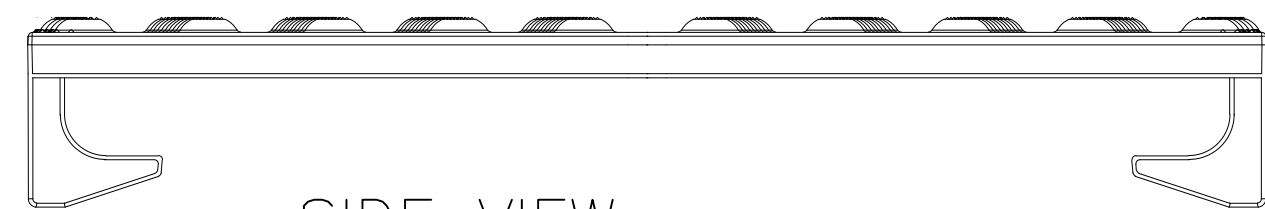
PROJECT

ADVANTAGE CAST IRON
TACTILE WALKING SURFACE INDICATOR PLATE
610mm [24"]-3048mm [10'] RADIUS

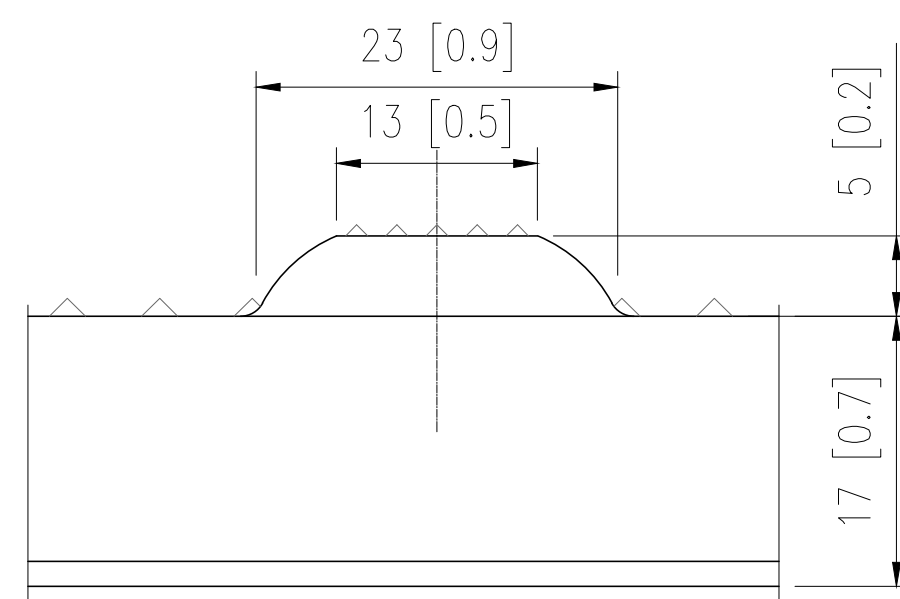
DRAWING NO.	ADV-CI-24-10R	REV. NO.	3
-------------	---------------	----------	---



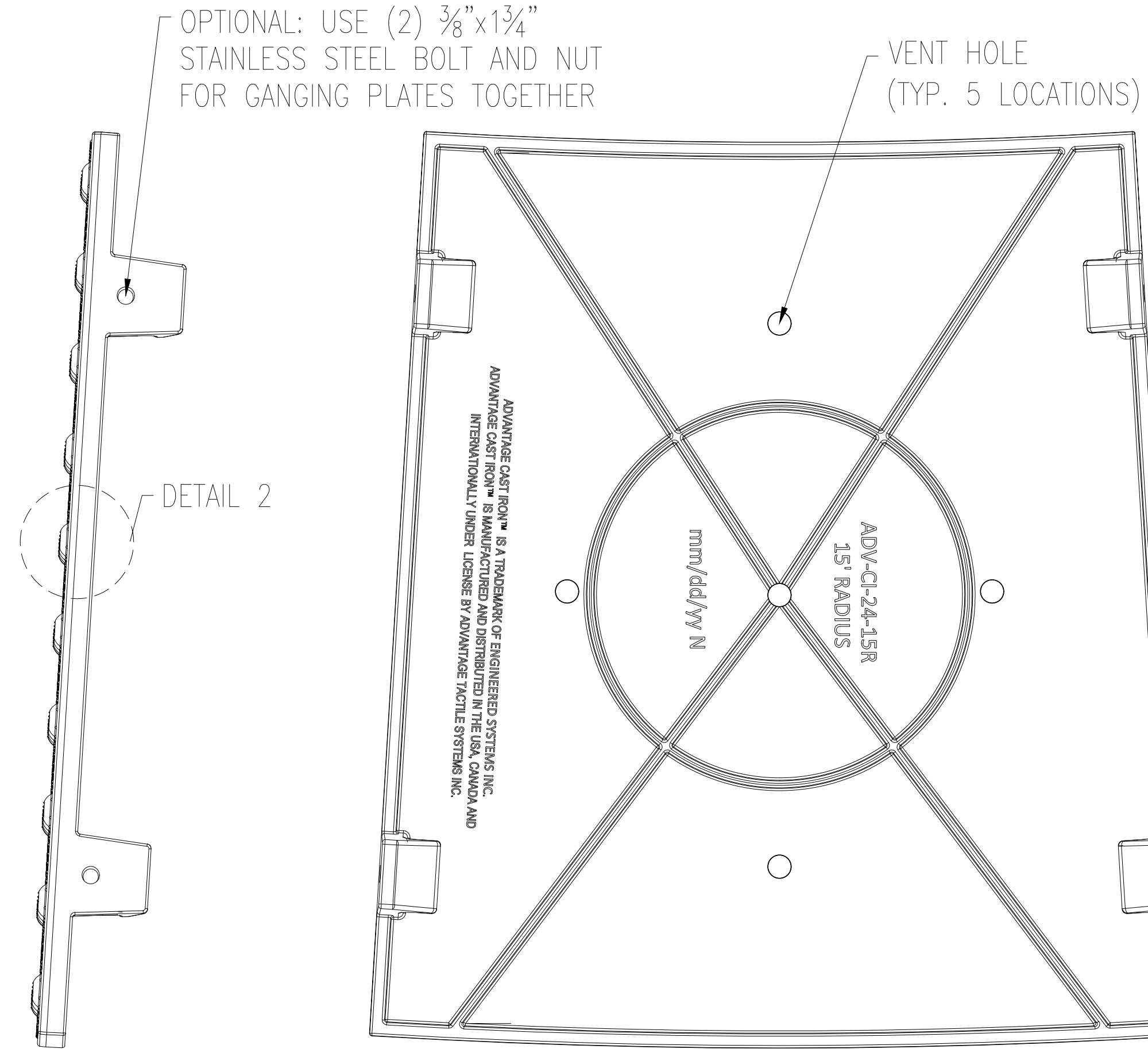
TOP PLAN VIEW



SIDE VIEW

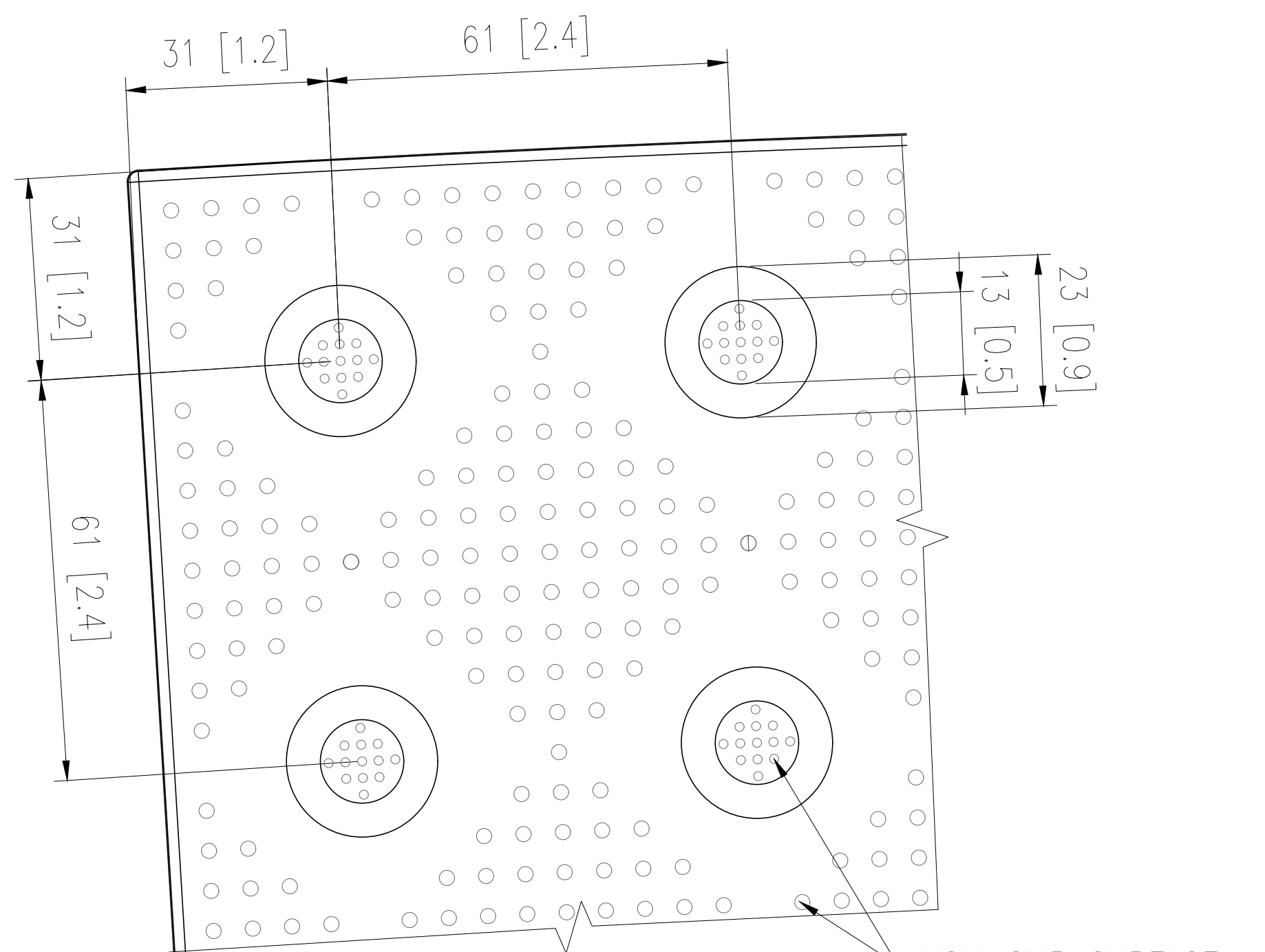


DETAIL 2



BOTTOM PLAN VIEW

SIDE VIEW



DETAIL 1



ENGINEERED PRODUCTS

www.kinesik.ca

COPYRIGHT © KINESIK ENGINEERED PRODUCTS

CONFIDENTIAL AND PROPRIETARY DOCUMENT
REGISTERED TRADEMARKS AND PATENTS ARE
PROPERTY OF KINESIK ENGINEERED PRODUCTS
INCORPORATED.

PATENTS PENDING, ALL RIGHTS RESERVED

ITEM	DESCRIPTION	PART NO.	QTY
1	CAST IRON TWSI PLATE	ADV-CI-24-15R	1

REFERENCE DRAWINGS

DWG. NO.	DESCRIPTION
----------	-------------

ESTIMATED WEIGHT: 41lbs
13 PCS MAKE FULL 90° ANGLE

COMPLIES WITH:
CSA B651, ISO, 23599, AODA

TOLERANCES.
LENGTH AND WIDTH: ±5mm (<1%)
MFG. TO MEET ISO-8062

NO.	DATE	REVISION	APPR.
3	05/11/17	REVISED DETAIL 2	DD
2	04/08/16	REVISED & ADDED	AI
1	04/01/15	DETAILS ADDED	DD
0	02/27/15		DD

SCALE

N.T.S.

DESIGNED	K.S.	DATE	01/28/2015
DRAWN	M.T.		05/11/2017
DRAWN	D.D.		05/11/2017

PROJECT MANAGER

TRADE	TWSI	PART NO.	ADV-CI-24-15R
-------	------	----------	---------------

MATERIAL
GREY CAST IRON / ASTM A48 CLASS 35B

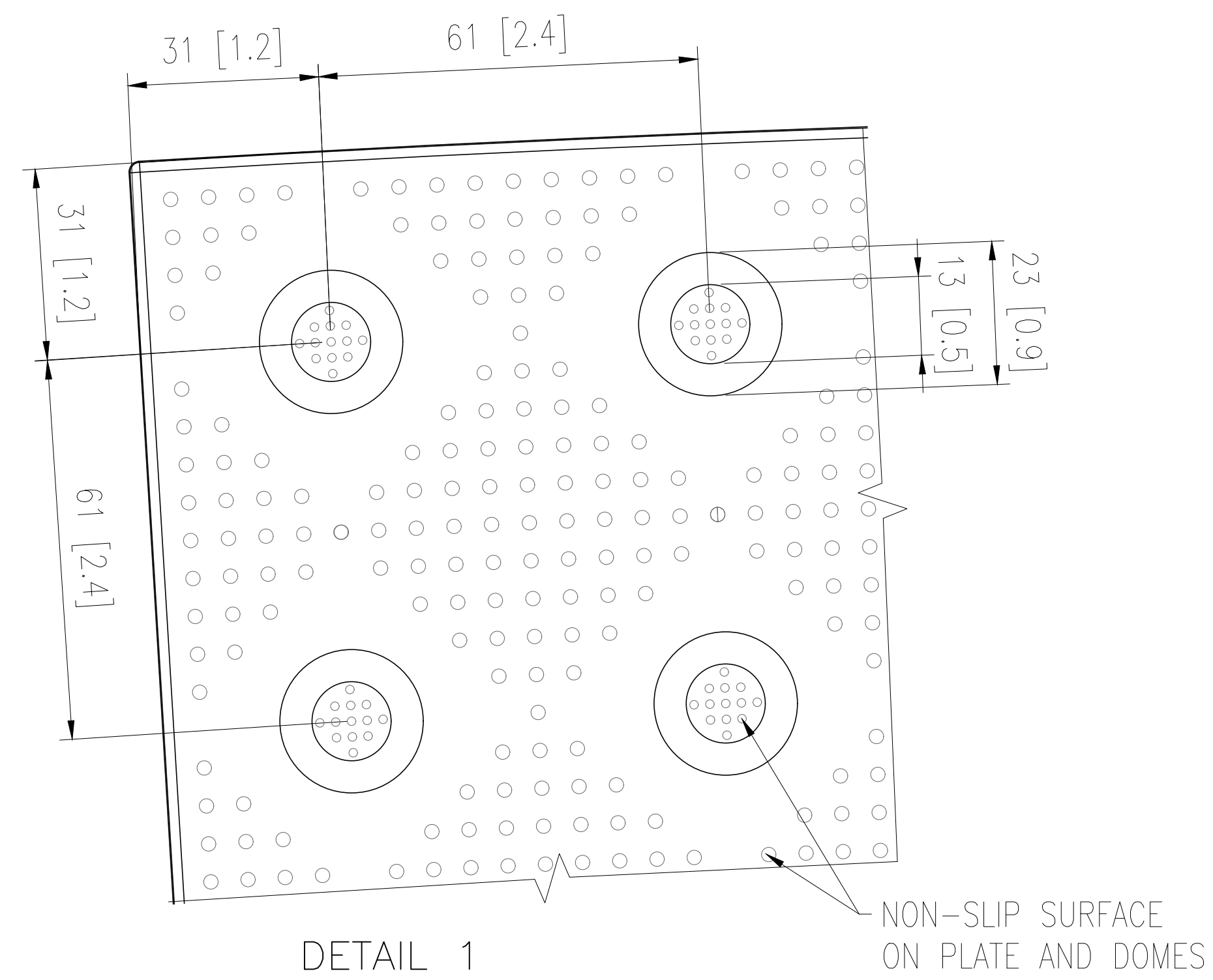
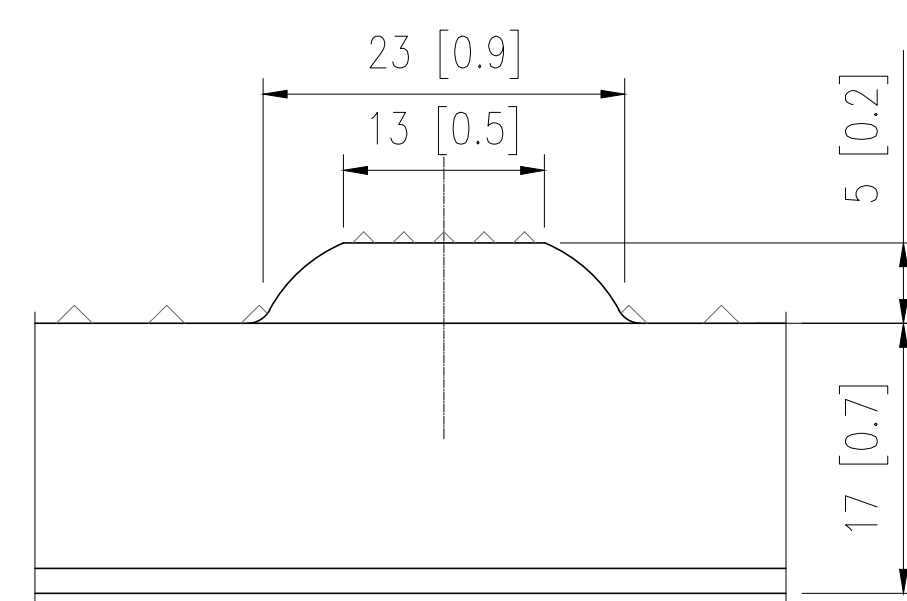
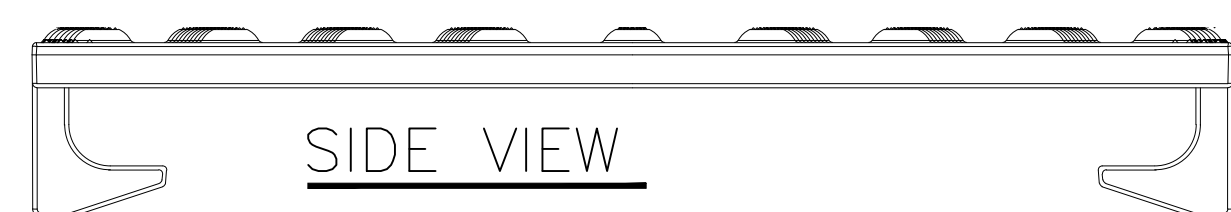
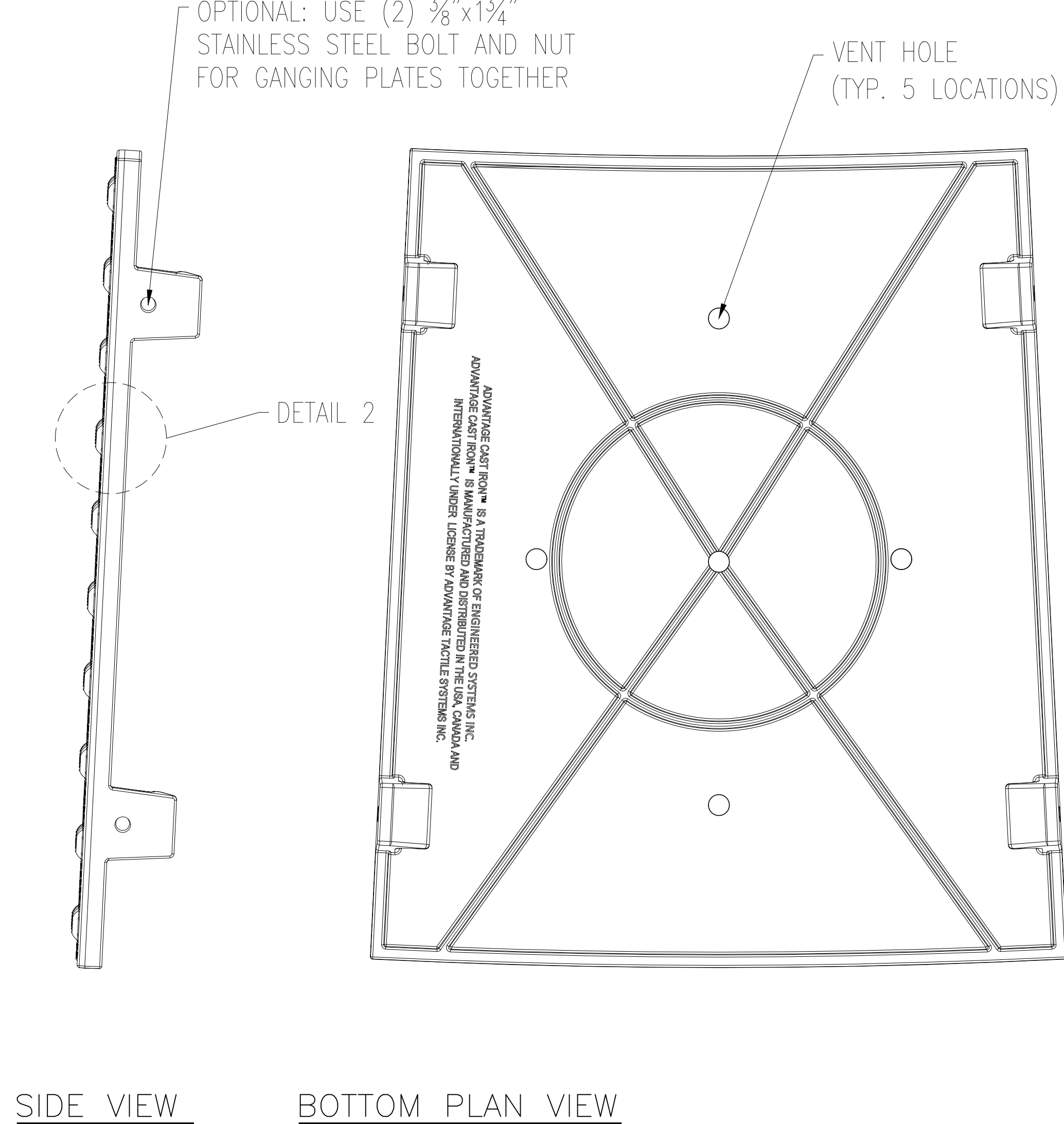
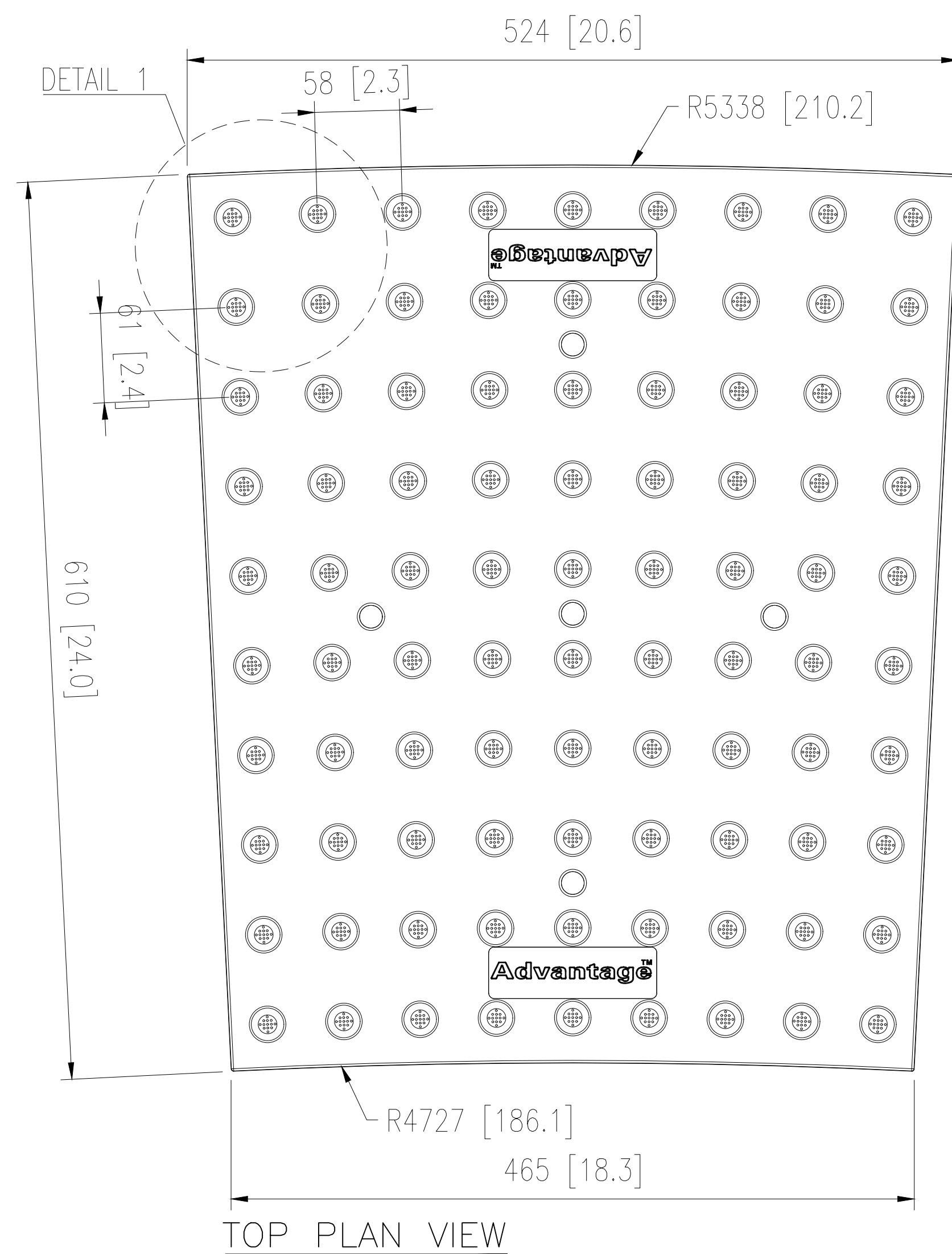
SUBJECT

Advantagē®

PROJECT

ADVANTAGE CAST IRON
TACTILE WALKING SURFACE INDICATOR PLATE
610mm [24"]-4572mm [15'] RADIUS

DRAWING NO.	REV. NO.
ADV-CI-24-15R	3



ENGINEERED PRODUCTS

www.kinesik.ca

COPYRIGHT © KINESIK ENGINEERED PRODUCTS

CONFIDENTIAL AND PROPRIETARY DOCUMENT
REGISTERED TRADEMARKS AND PATENTS ARE
PROPERTY OF KINESIK ENGINEERED PRODUCTS
INCORPORATED.

PATENTS PENDING, ALL RIGHTS RESERVED

ITEM	DESCRIPTION	PART NO.	QTY
1	CAST IRON TWSI PLATE	ADV-CI-24-17.5R	1

REFERENCE DRAWINGS

DWG. NO.	DESCRIPTION

ESTIMATED WEIGHT: 40lbs
16 PCS MAKE FULL 90° ANGLE

COMPLIES WITH:
CSA B651, ISO, 23599, AODA

TOLERANCES.
LENGTH AND WIDTH: ± 5 mm (<1%)
MFG. TO MEET ISO-8062

NO.	DATE	REVISION	APPR.
3	05/11/17	REVISED DETAIL 2	DD
2	04/08/16	REVISED & ADDED	AI
1	04/01/15	DETAILS ADDED	DD
0	02/27/15		DD

SCALE
N.T.S.

DESIGNED	K.S.	DATE	01/28/2015
DRAWN	M.T.		05/11/2017
DRAWN	D.D.		05/11/2017

PROJECT MANAGER

TRADE	TWSI	PART NO.	ADV-CI-24-17.5R

MATERIAL
GREY CAST IRON / ASTM A48 CLASS 35B

SUBJECT
Advantage[®]

PROJECT
ADVANTAGE CAST IRON
TACTILE WALKING SURFACE INDICATOR PLATE
610mm [24"]-5334mm [17.5'] RADIUS

DRAWING NO.	ADV-CI-24-17.5R	REV. NO.	3



ENGINEERED PRODUCTS

www.kinesik.ca

COPYRIGHT © KINESIK ENGINEERED PRODUCTS

CONFIDENTIAL AND PROPRIETARY DOCUMENT
REGISTERED TRADEMARKS AND PATENTS ARE
PROPERTY OF KINESIK ENGINEERED PRODUCTS
INCORPORATED.

PATENTS PENDING, ALL RIGHTS RESERVED

ITEM	DESCRIPTION	PART NO.	QTY
1	CAST IRON TWSI PLATE	ADV-CI-24-20R	1

REFERENCE DRAWINGS

DWG. NO.	DESCRIPTION

18PCS MAKE FULL 90° ANGLE
ESTIMATED WEIGHT; 32LBS

COMPLIES WITH:
CSA B651, ISO, 23599, AODA

TOERANCES.
LENGTH AND WIDTH: ±5mm (<1%)
TO MEET ISO-8062

NO.	DATE	REVISION	APPR.
3	05/11/17	REVISED DETAIL 2	DD
2	04/08/16	REVISED & ADDED	AI
1	04/01/15	DETAILS ADDED	DD
0	02/27/15		DD

SCALE
N.T.S.

DESIGNED	K.S.	DATE	01/28/2015
DRAWN	M.T.	05/11/2017	
DRAWN	D.D.	05/11/2017	

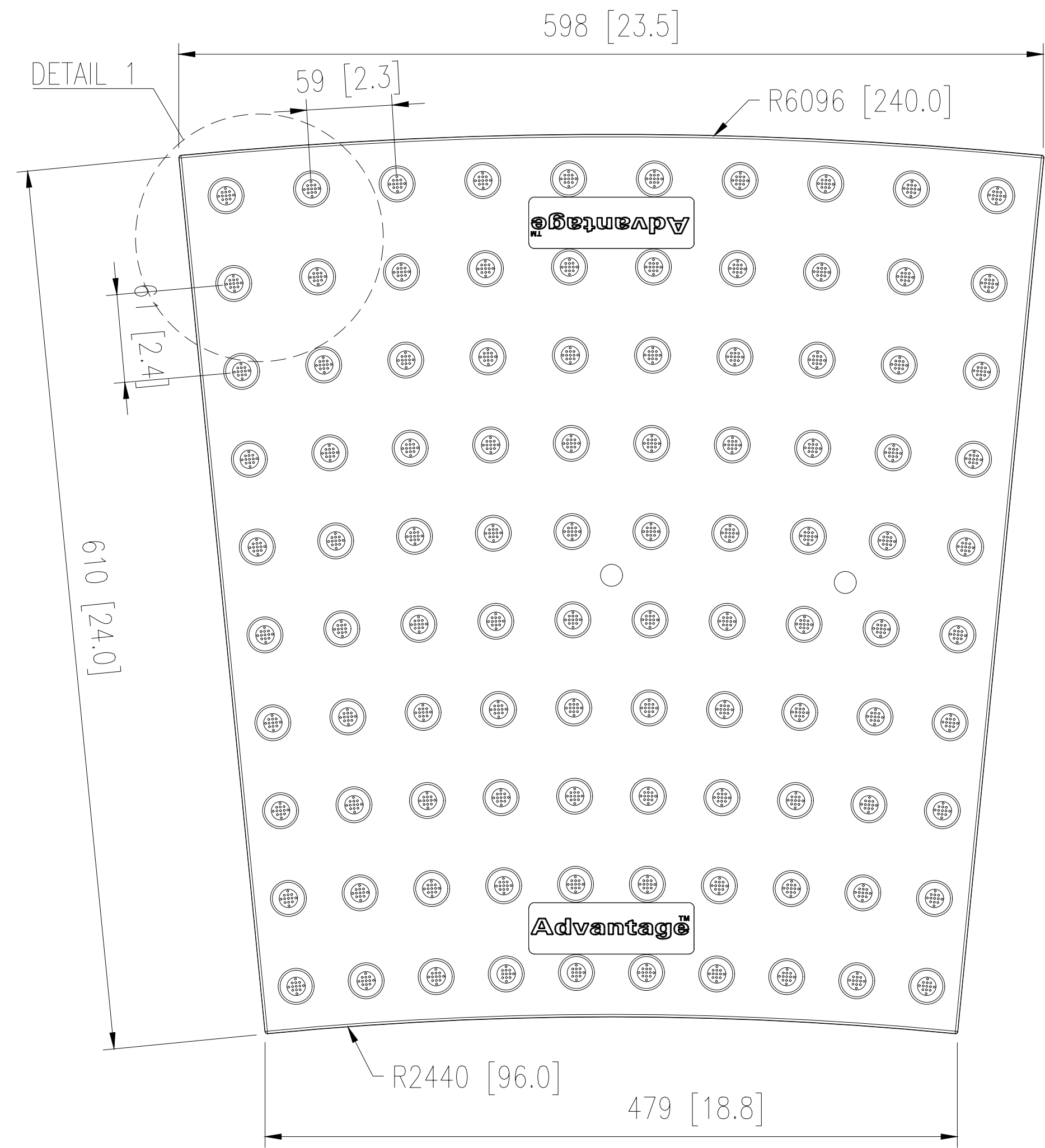
PROJECT MANAGER	
TRADE	TWSI
PART NO.	ADV-CI-24-20R

MATERIAL
GREY CAST IRON / ASTM A48 CLASS 35B

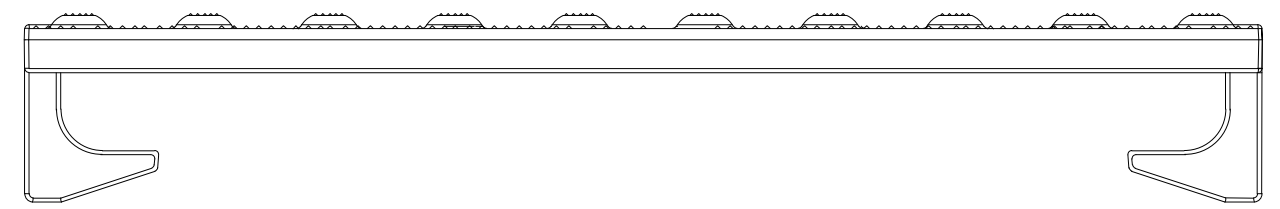
SUBJECT
Advantage®

PROJECT
ADVANTAGE CAST IRON
TACTILE WALKING SURFACE INDICATOR PLATE
610mm [24"]-6096mm [20'] RADIUS

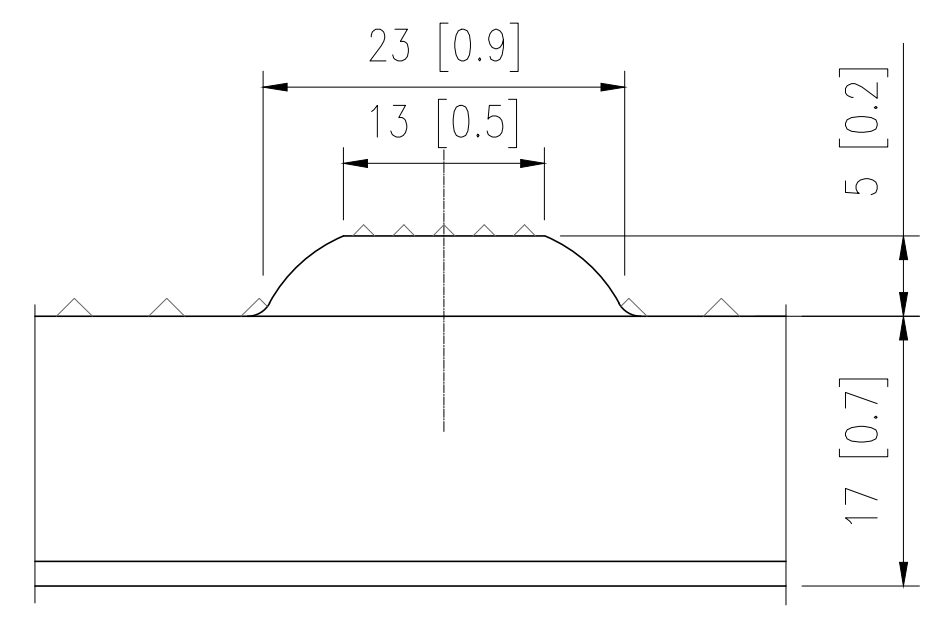
DRAWING NO.	ADV-CI-24-20R	REV. NO.	3
-------------	---------------	----------	---



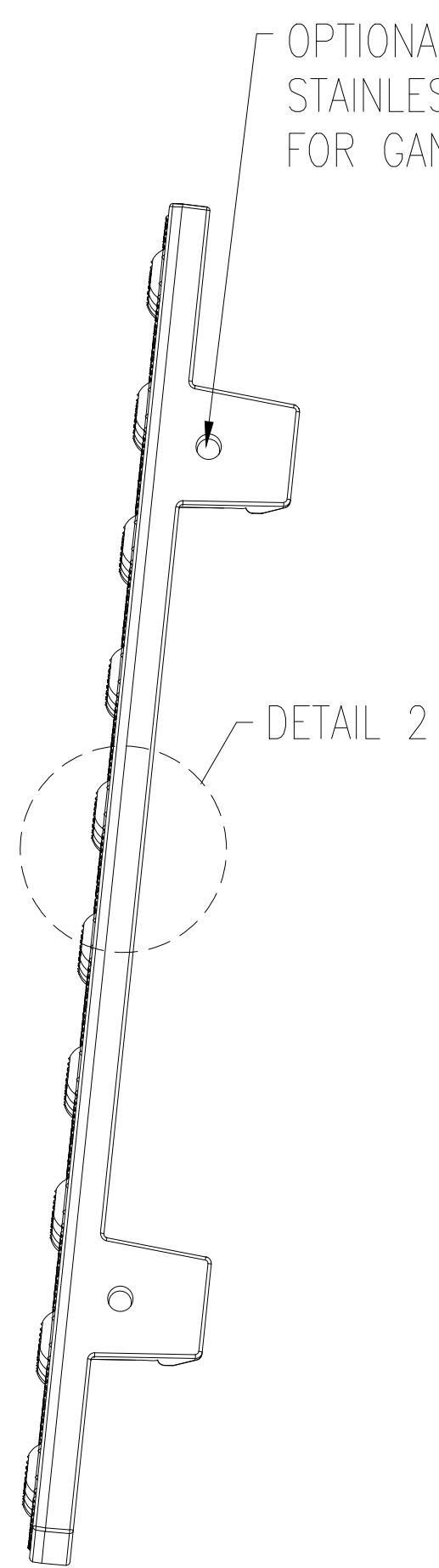
TOP PLAN VIEW



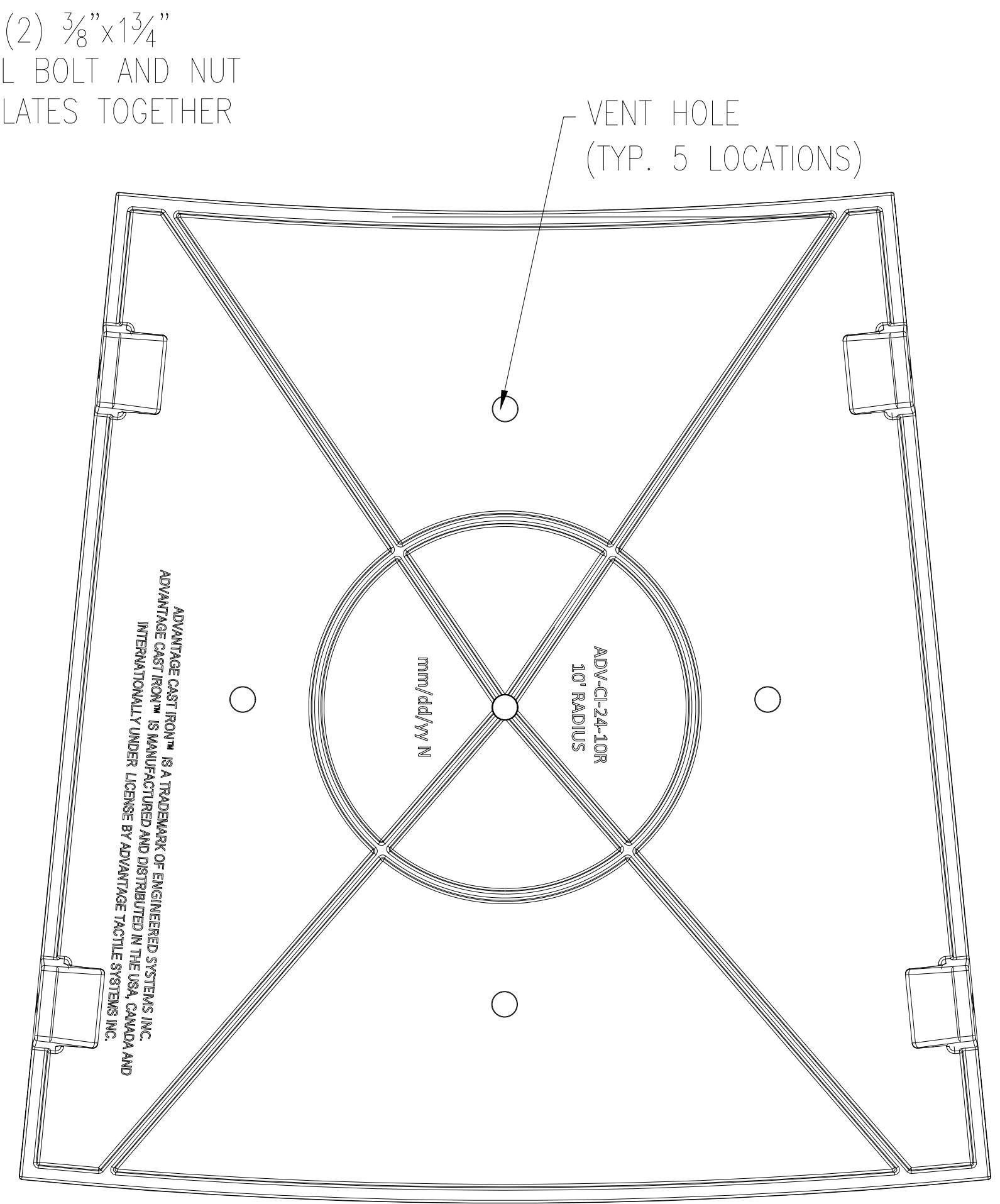
SIDE VIEW



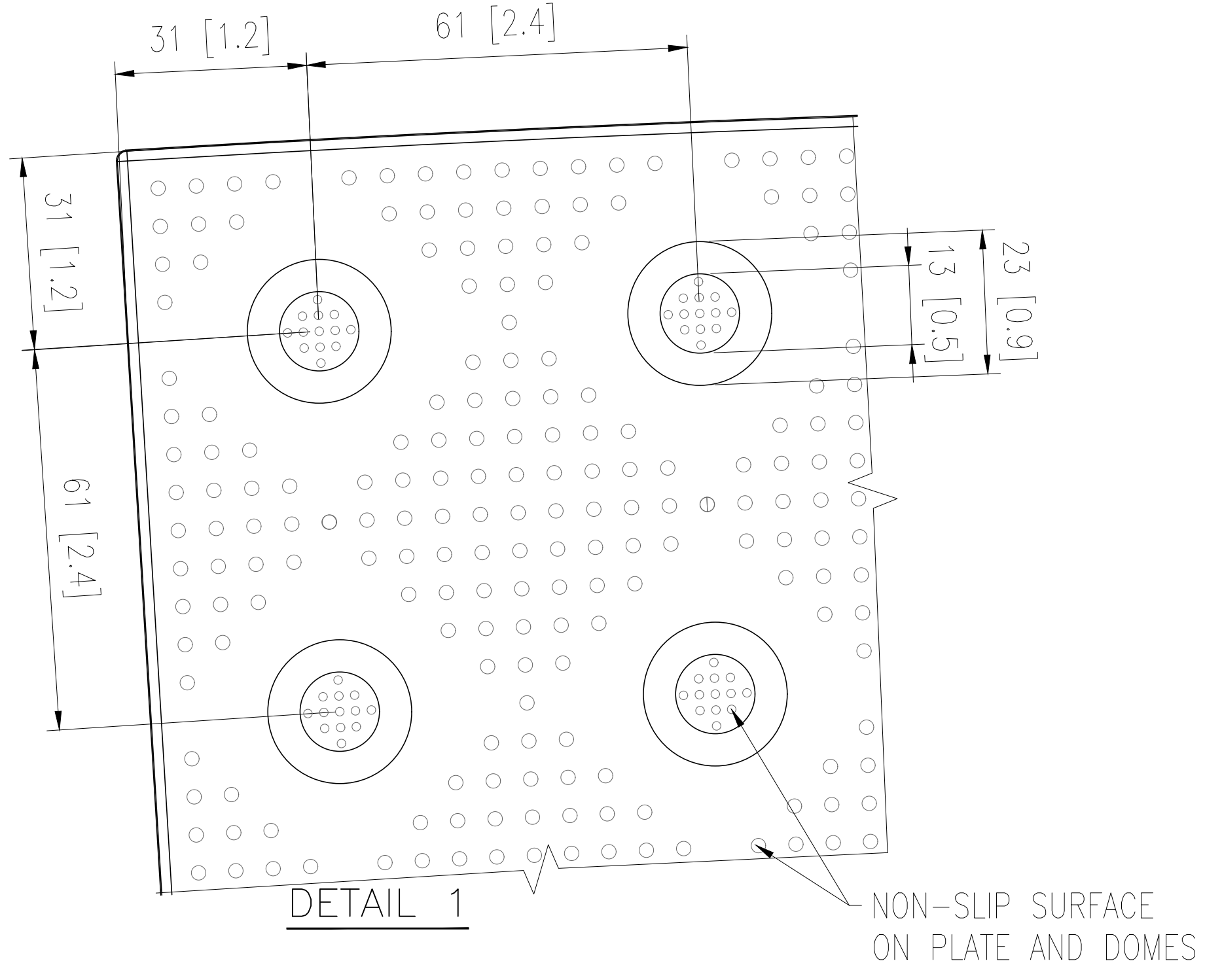
DETAIL 2



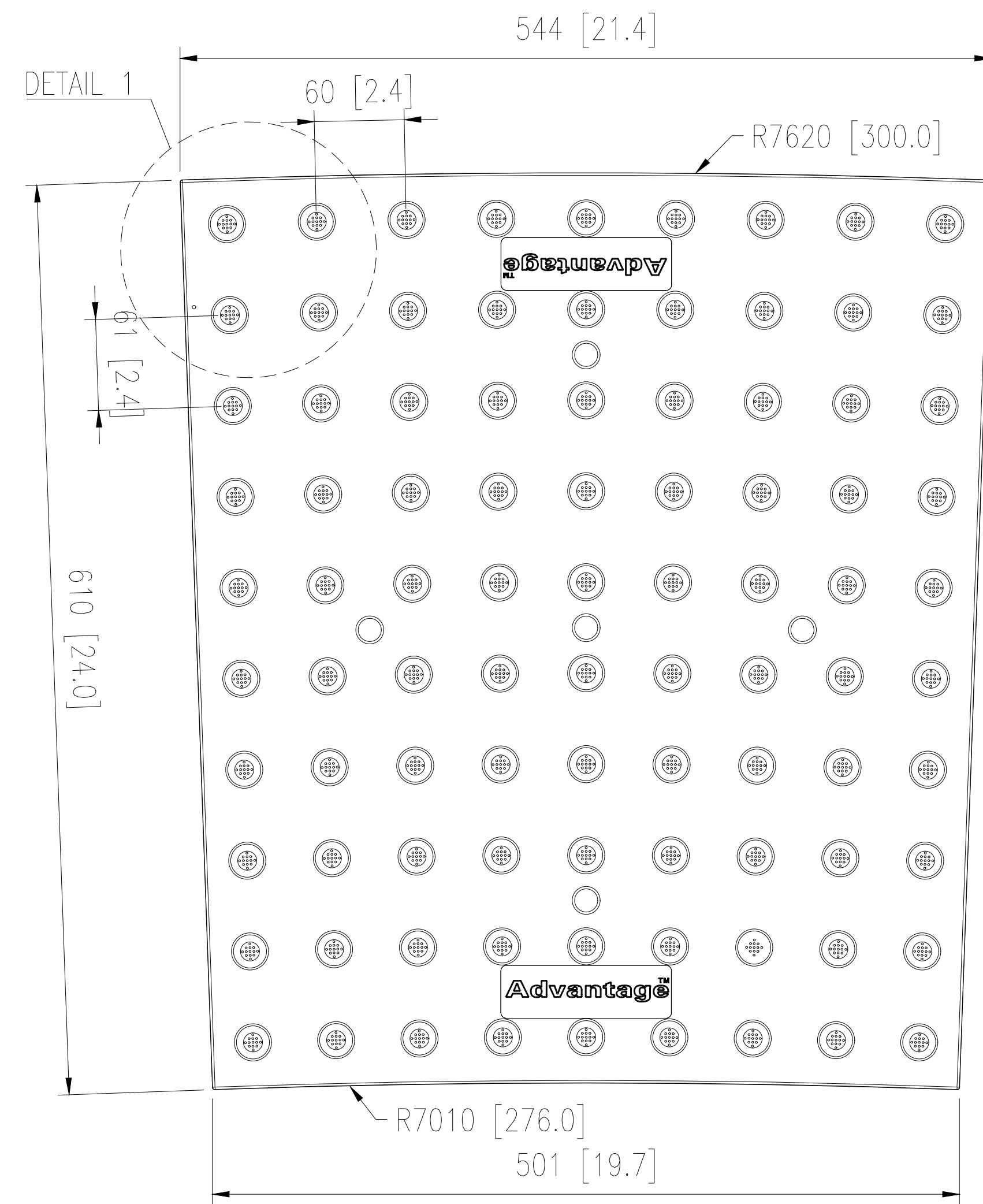
SIDE VIEW



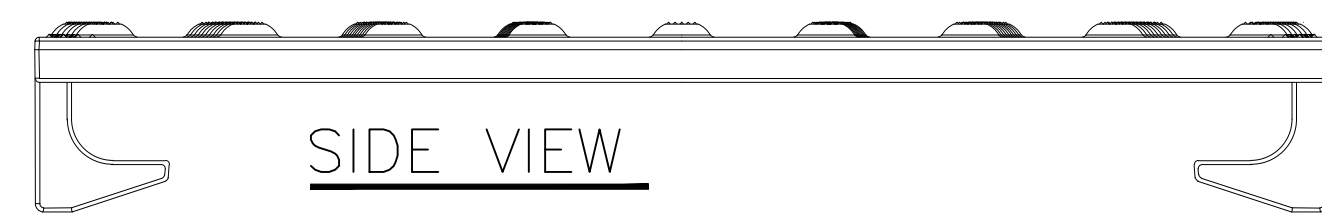
BOTTOM PLAN VIEW



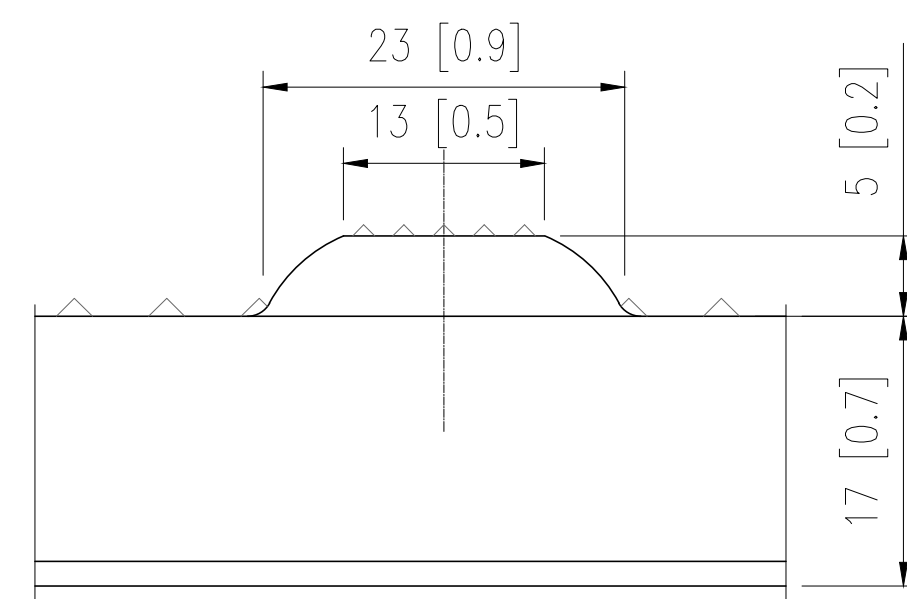
DETAIL 1



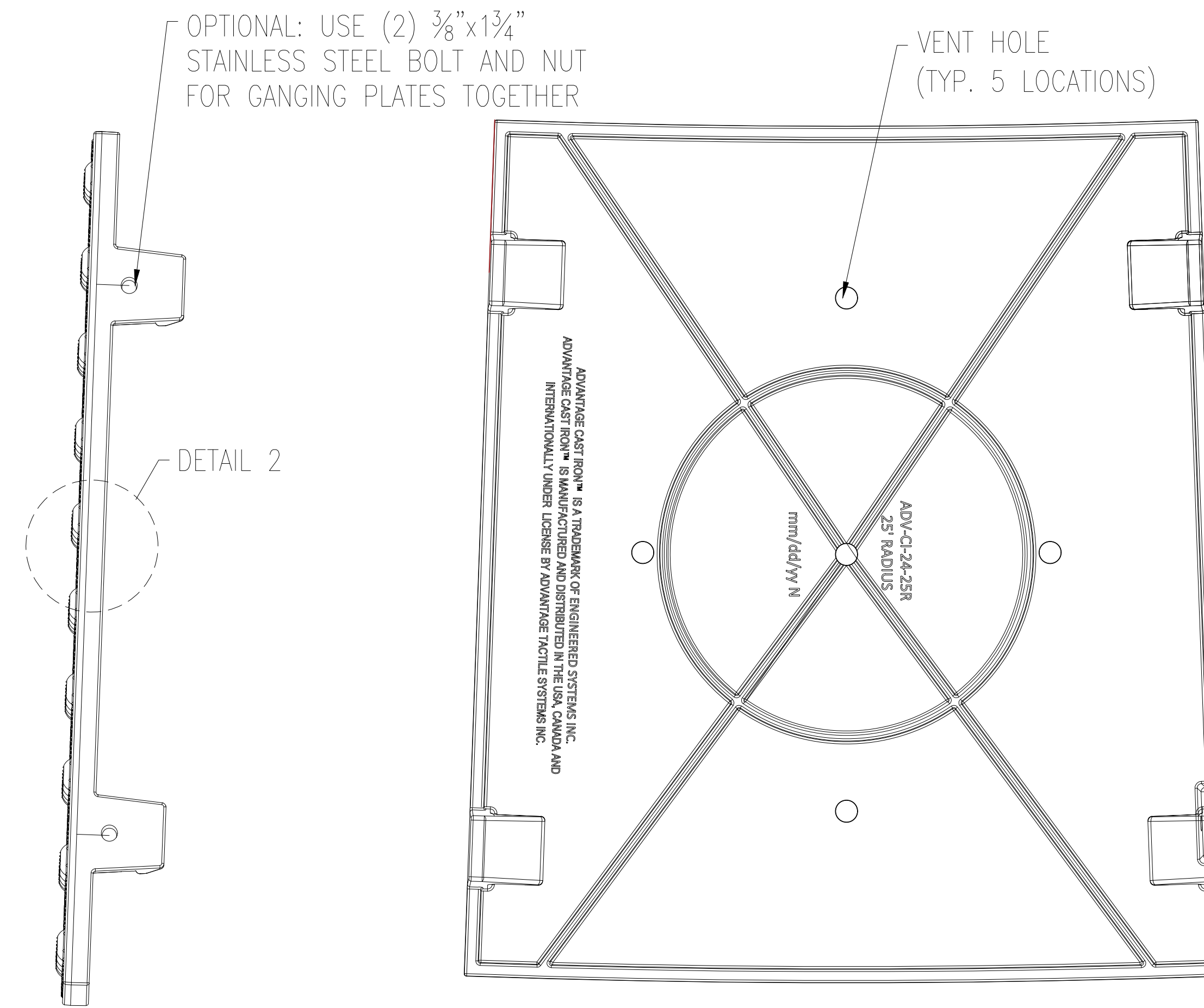
TOP PLAN VIEW



SIDE VIEW

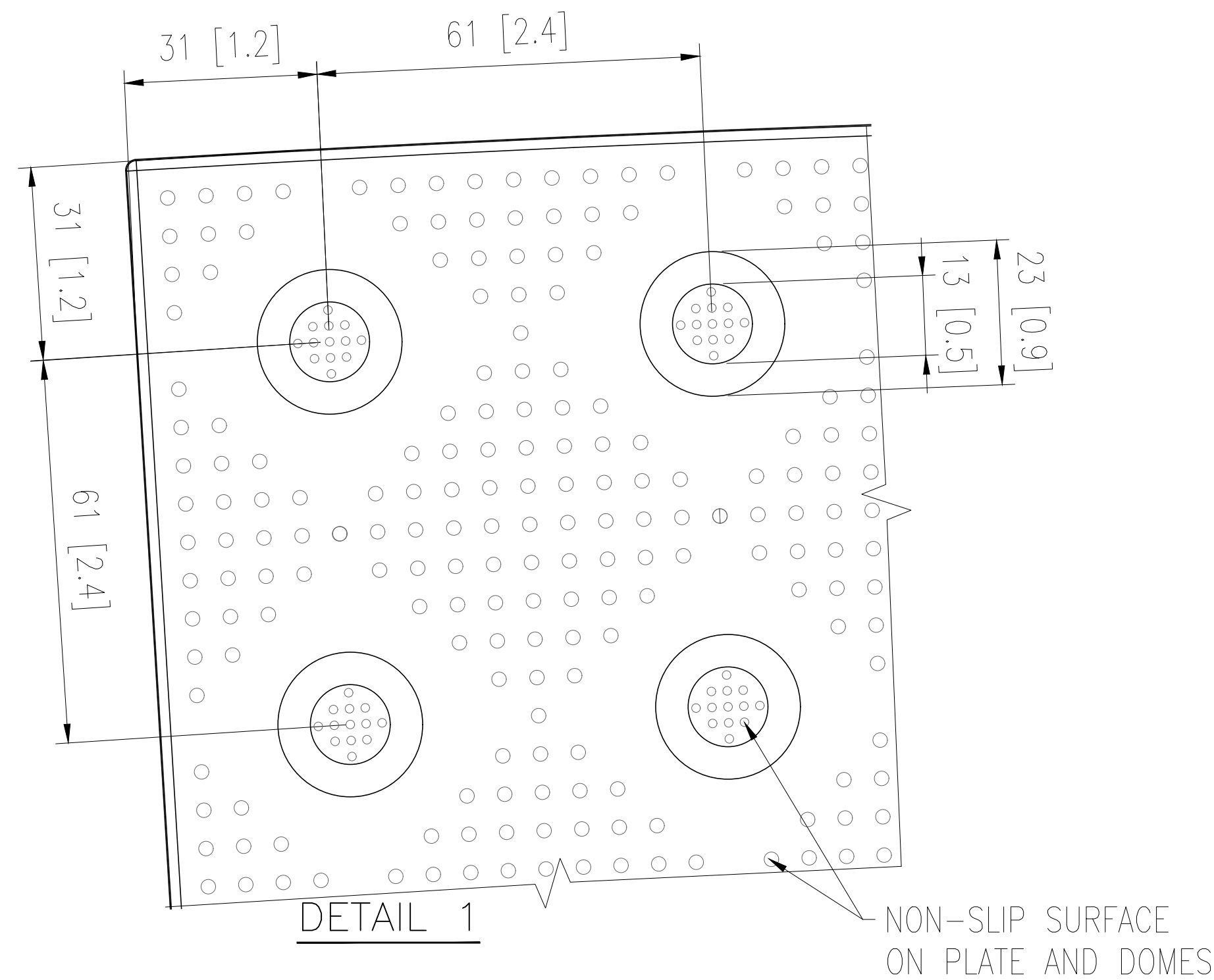


DETAIL 2



SIDE VIEW

BOTTOM PLAN VIEW



DETAIL 1



ENGINEERED PRODUCTS

www.kinesik.ca

COPYRIGHT © KINESIK ENGINEERED PRODUCTS

CONFIDENTIAL AND PROPRIETARY DOCUMENT
REGISTERED TRADEMARKS AND PATENTS ARE
PROPERTY OF KINESIK ENGINEERED PRODUCTS
INCORPORATED.

PATENTS PENDING, ALL RIGHTS RESERVED

ITEM	DESCRIPTION	PART NO.	QTY
1	CAST IRON TWSI PLATE	ADV-CI-24-25R	1

REFERENCE DRAWINGS

DWG. NO.	DESCRIPTION

ESTIMATED WEIGHT: 33lbs
22 PCS MAKE FULL 90° ANGLE

COMPLIES WITH:
CSA B651, ISO, 23599, AODA

TOLERANCES:
LENGTH AND WIDTH: ±5mm (<1%)
TO MEET ISO-8062

NO.	DATE	REVISION	APPR.
3	05/11/17	REVISED DETAIL 2	DD
2	04/08/16	REVISED & ADDED	AI
1	04/01/15	DETAILS ADDED	DD
0	02/27/15		DD

SCALE
N.T.S.

DESIGNED	K.S.	DATE	01/28/2015
DRAWN	M.T.	05/11/2017	
DRAWN	D.D.	05/11/2017	

PROJECT MANAGER

TRADE TWSI PART NO. ADV-CI-24-25R

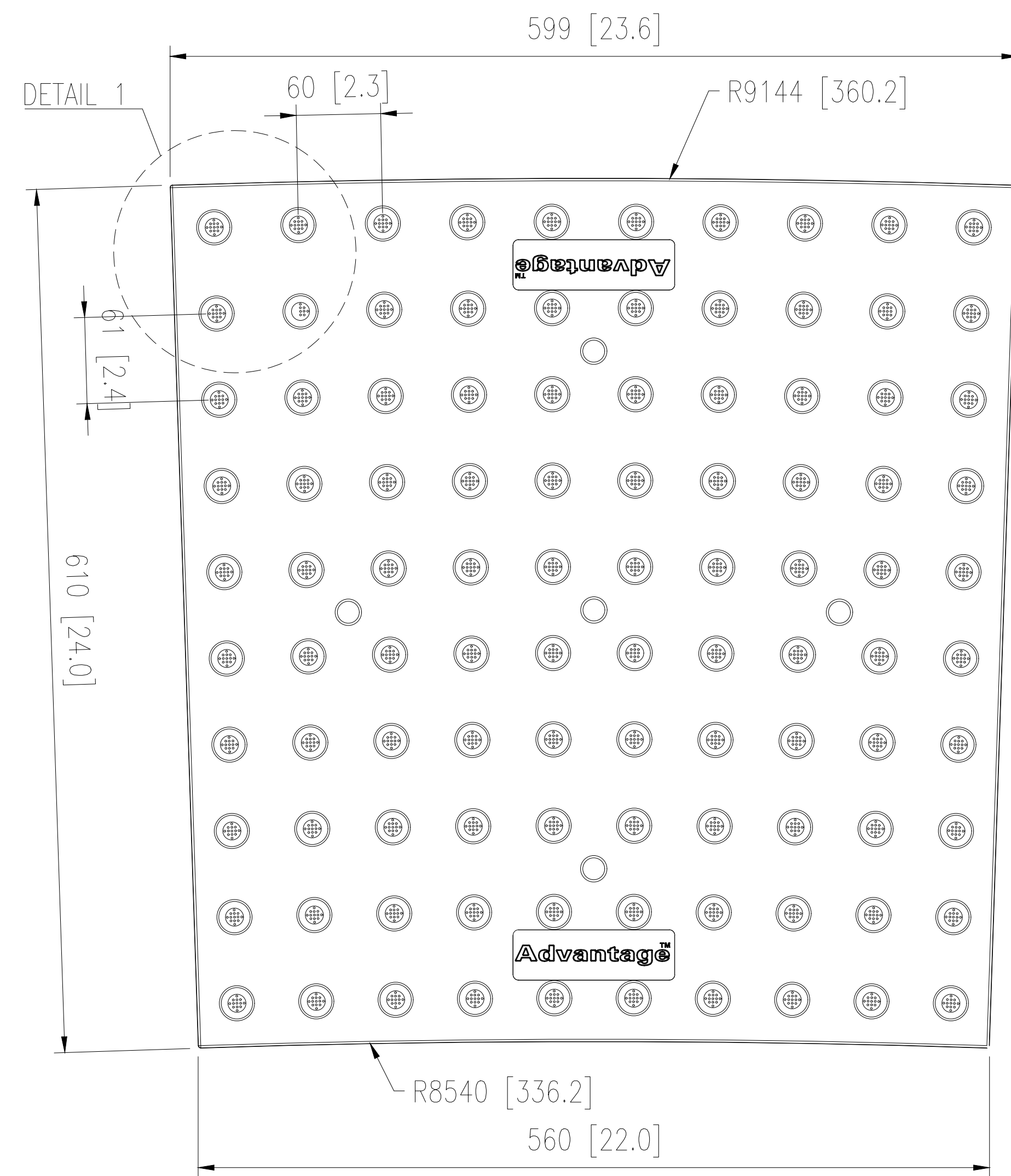
MATERIAL GREY CAST IRON / ASTM A48 CLASS 35B

SUBJECT

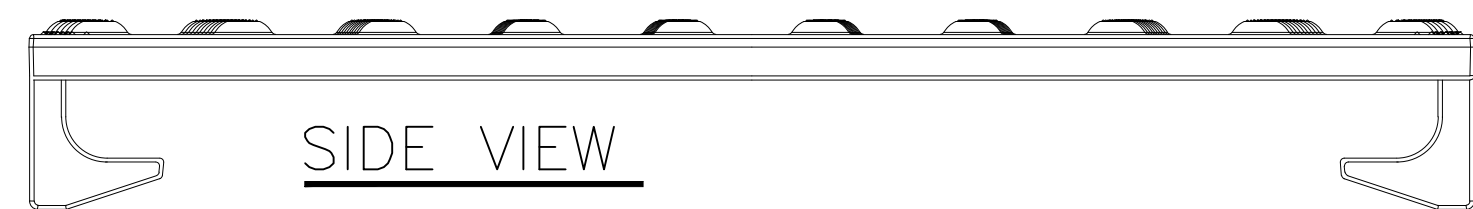
Advantage®

PROJECT
ADVANTAGE CAST IRON
TACTILE WALKING SURFACE INDICATOR PLATE
610mm [24"]-7620mm [25"] RADIUS

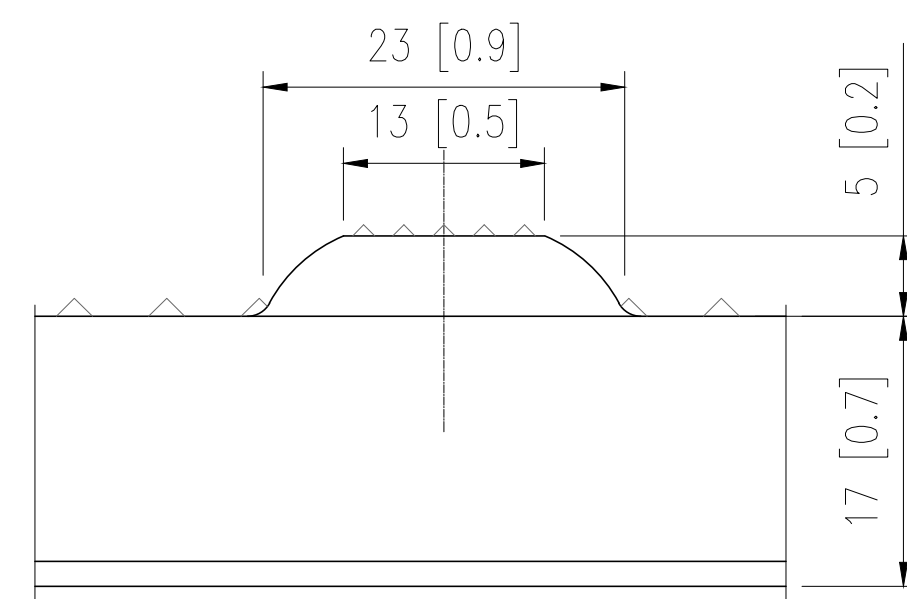
DRAWING NO.	REV. NO.
ADV-CI-24-25R	3



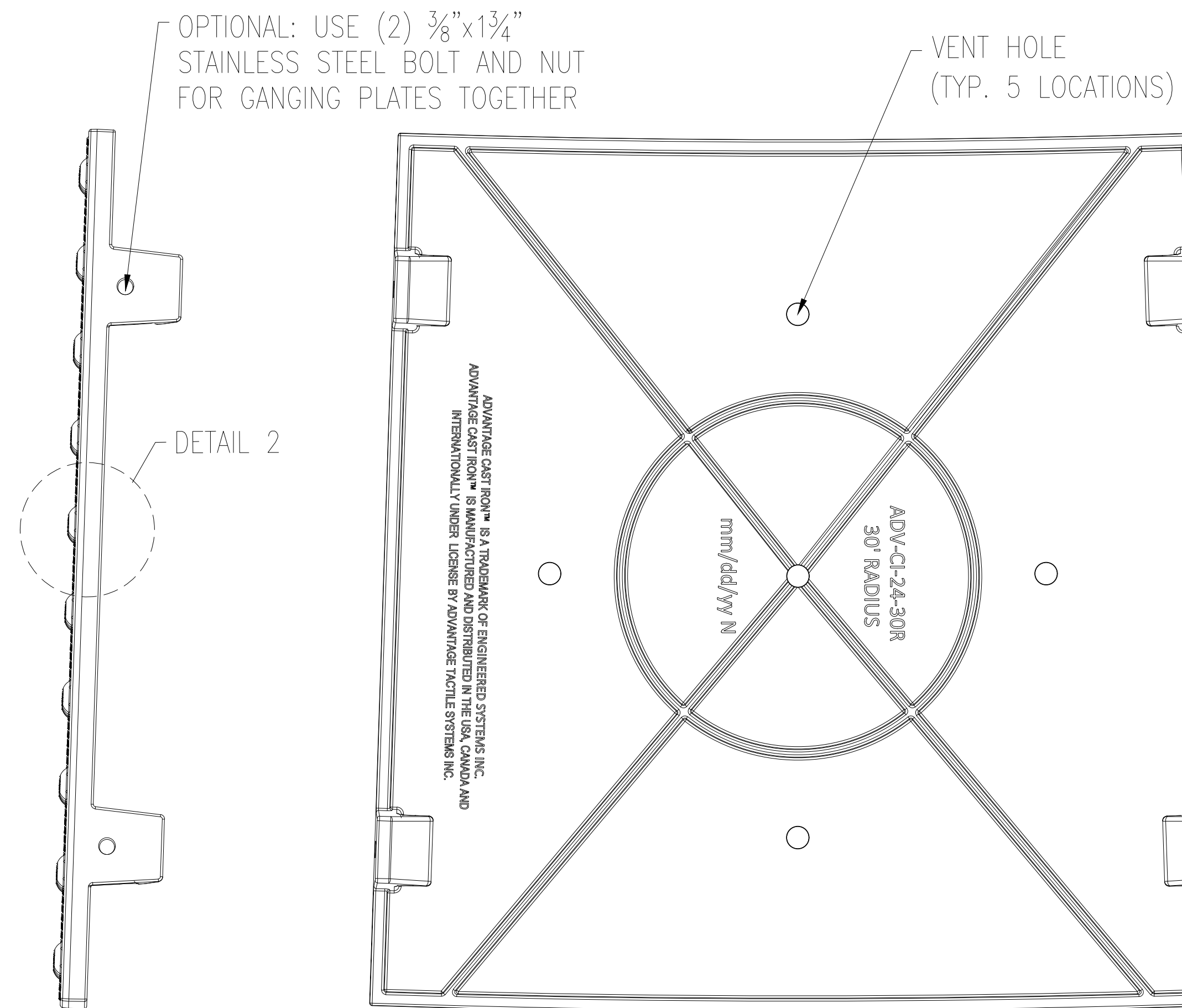
TOP PLAN VIEW



SIDE VIEW

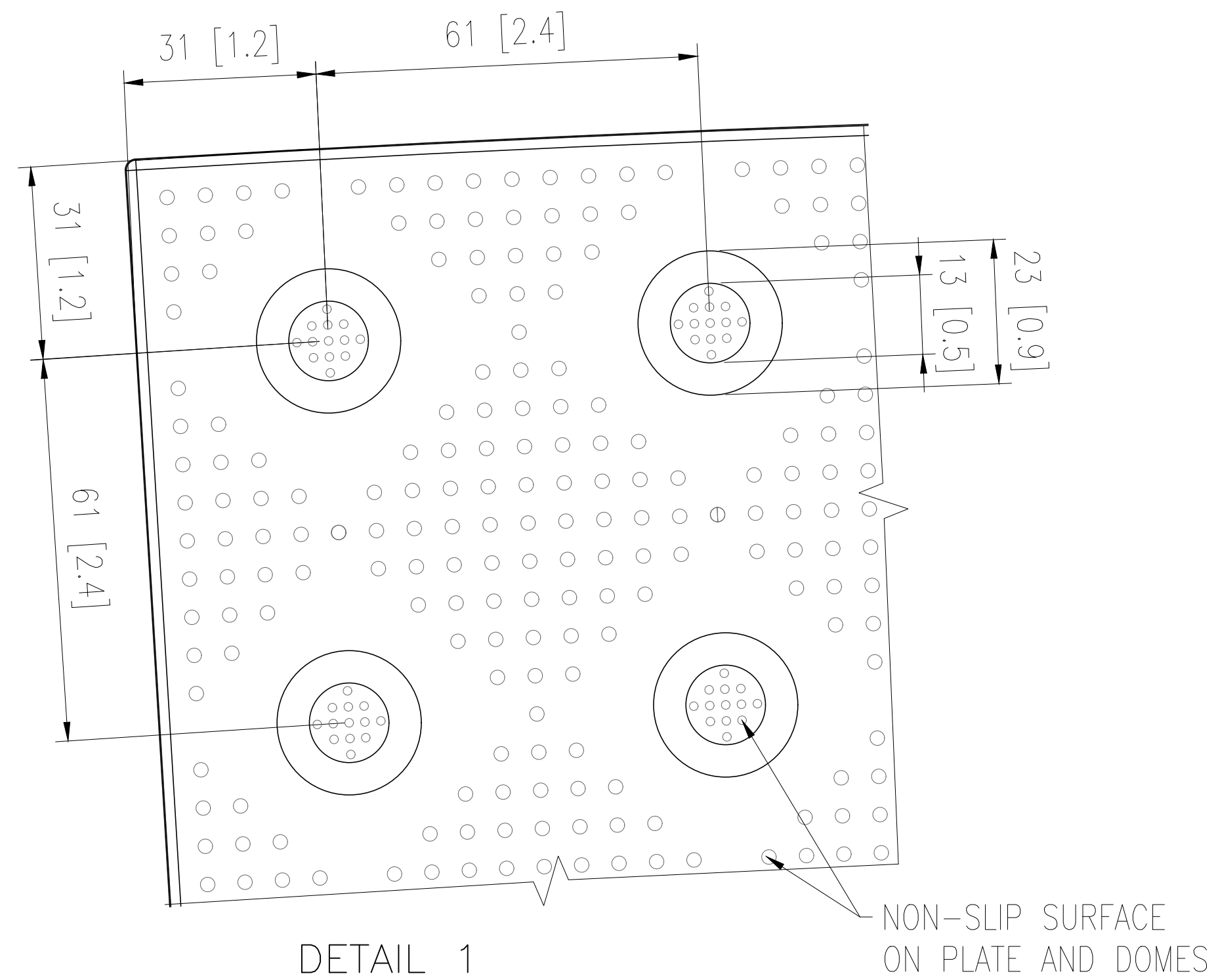


DETAIL 2



SIDE VIEW

BOTTOM PLAN VIEW



DETAIL 1



ENGINEERED PRODUCTS

www.kinesik.ca

COPYRIGHT © KINESIK ENGINEERED PRODUCTS

CONFIDENTIAL AND PROPRIETARY DOCUMENT
REGISTERED TRADEMARKS AND PATENTS ARE
PROPERTY OF KINESIK ENGINEERED PRODUCTS
INCORPORATED.

PATENTS PENDING, ALL RIGHTS RESERVED

ITEM	DESCRIPTION	PART NO.	QTY
1	CAST IRON TWSI PLATE	ADV-CI-24-30R	1

REFERENCE DRAWINGS

DWG. NO.	DESCRIPTION

ESTIMATED WEIGHT: 33lbs
22 PCS MAKE FULL 90° ANGLE

COMPLIES WITH:
CSA B651, ISO, 23599, AODA

TOLERANCES:
LENGTH AND WIDTH: ±5mm (<1%)
TO MEET ISO-8062

NO.	DATE	REVISION	APPR.
3	05/11/17	REVISED DETAIL 2	DD
2	04/08/16	REVISED & ADDED	AI
1	04/01/15	DETAILS ADDED	DD
0	02/27/15		DD

SCALE
N.T.S.

DESIGNED	K.S.	DATE	01/28/2015
DRAWN	M.T.		05/11/2017
DRAWN	D.D.		05/11/2017

PROJECT MANAGER

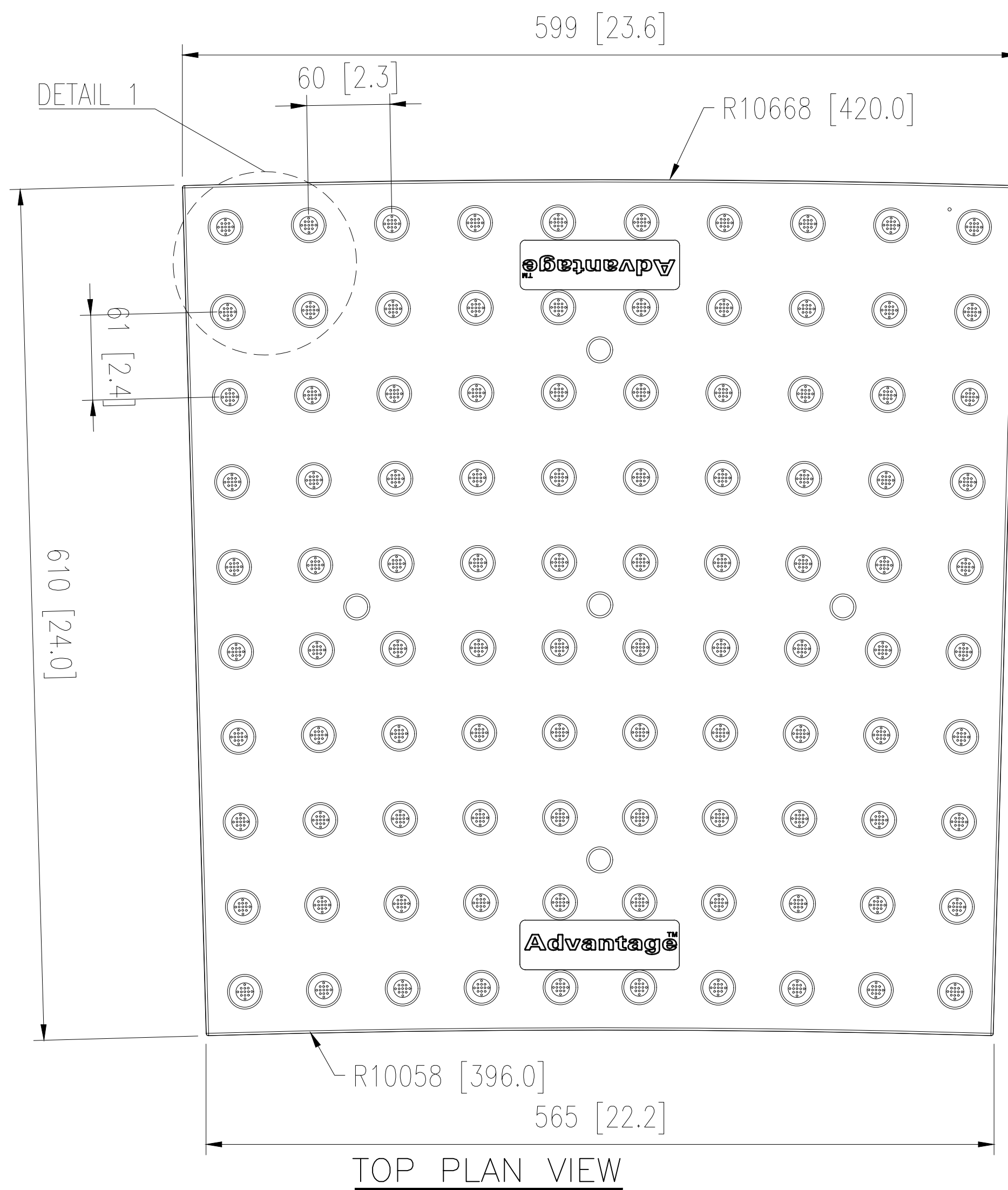
TRADE TWSI PART NO. ADV-CI-24-30R

MATERIAL GREY CAST IRON / ASTM A48 CLASS 35B

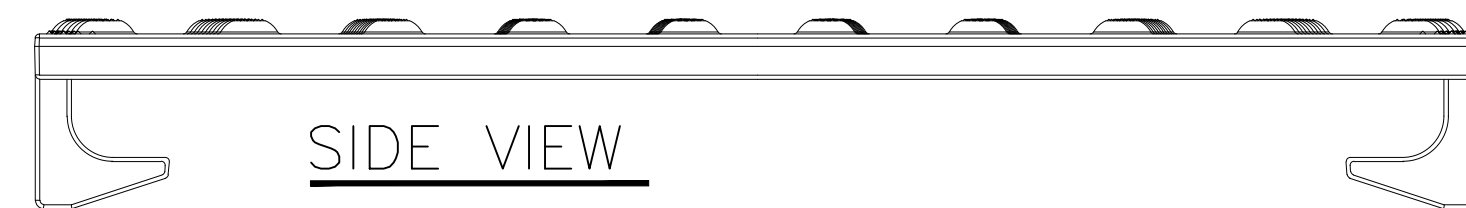
SUBJECT
Advantagē®

PROJECT
ADVANTAGE CAST IRON
TACTILE WALKING SURFACE INDICATOR PLATE
610mm [24"]-9144mm [30"] RADIUS

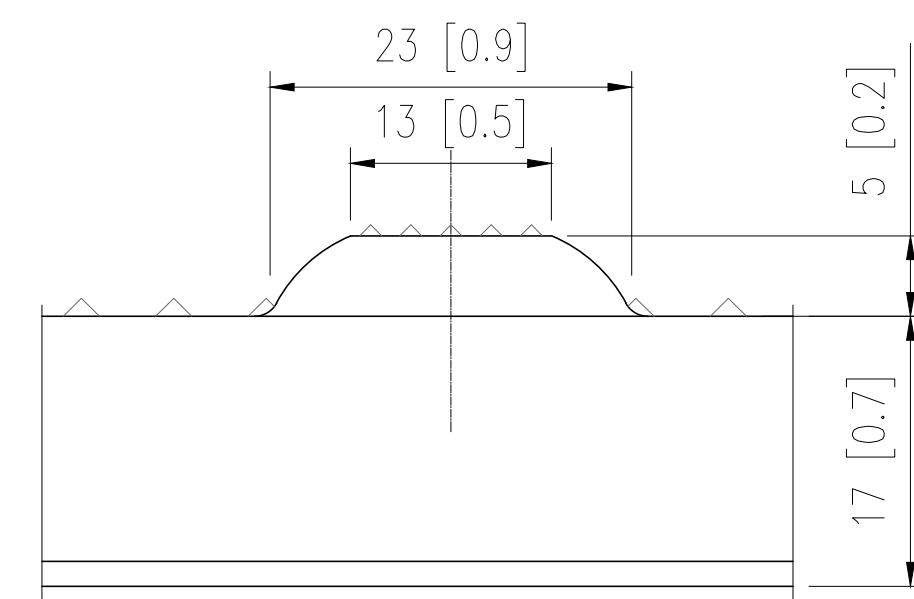
DRAWING NO. ADV-CI-24-30R REV. NO. 3



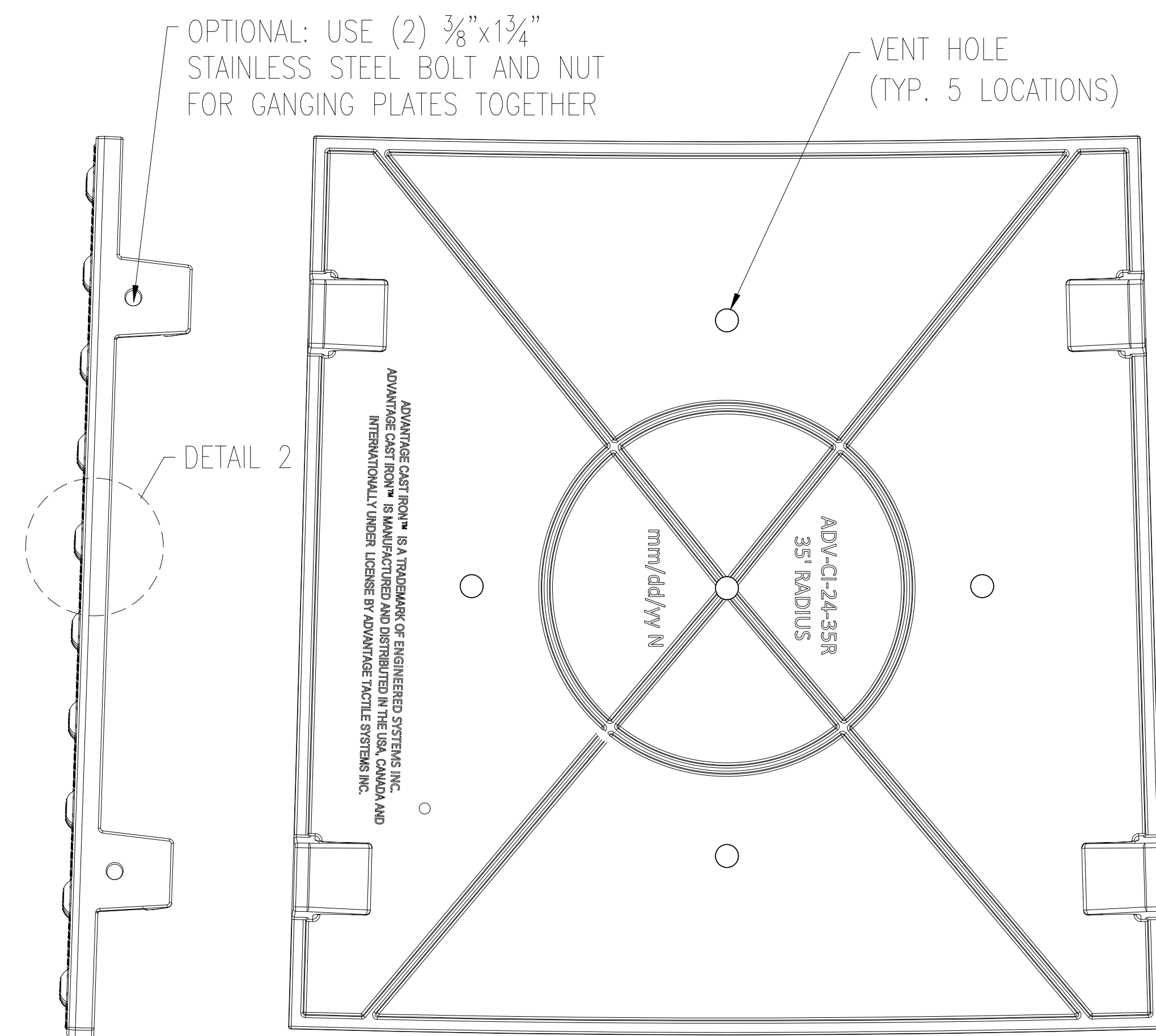
TOP PLAN VIEW



SIDE VIEW

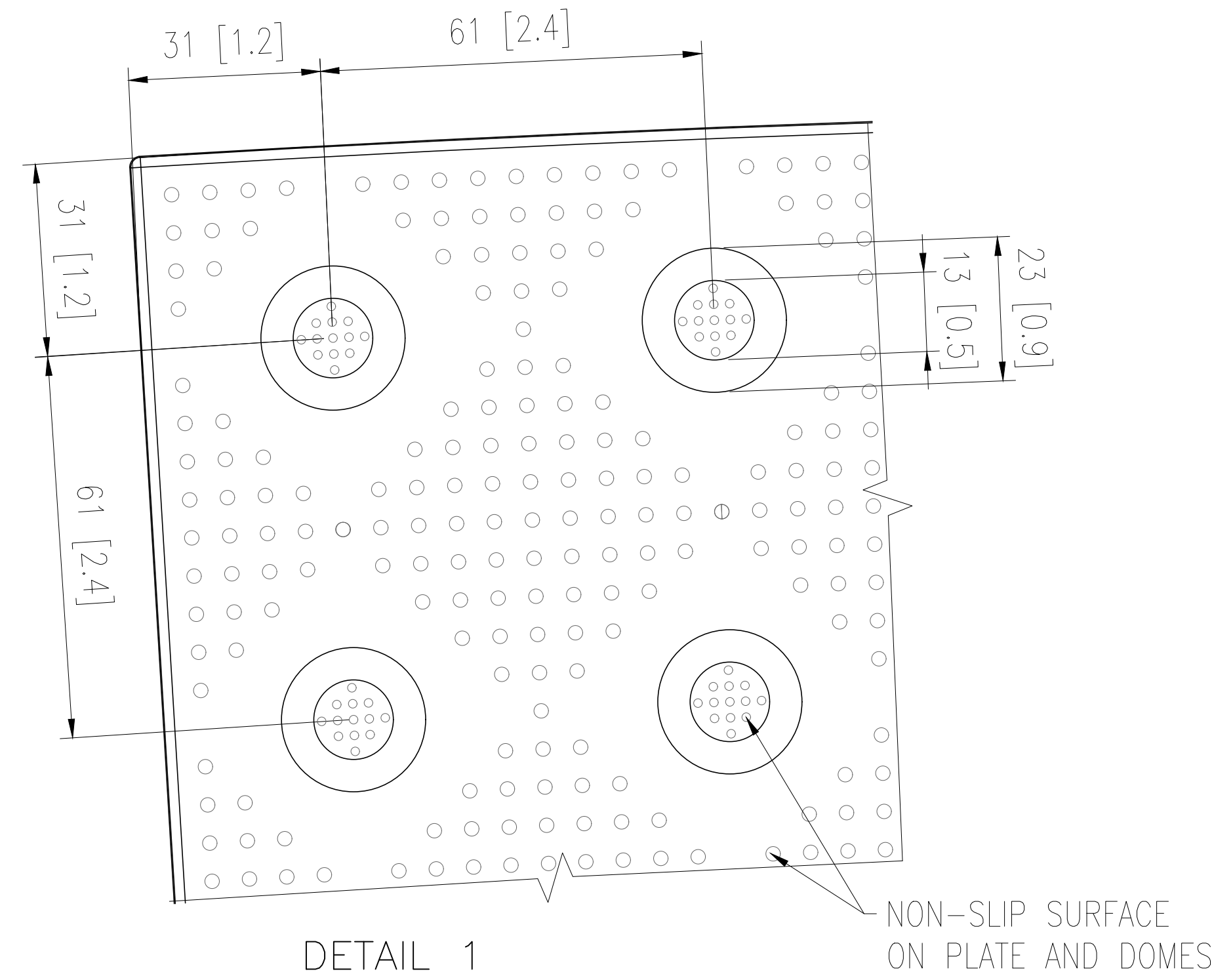


DETAIL 2



BOTTOM PLAN VIEW

SIDE VIEW



DETAIL 1



ENGINEERED PRODUCTS

www.kinesik.ca

COPYRIGHT © KINESIK ENGINEERED PRODUCTS

CONFIDENTIAL AND PROPRIETARY DOCUMENT
REGISTERED TRADEMARKS AND PATENTS ARE
PROPERTY OF KINESIK ENGINEERED PRODUCTS
INCORPORATED.

PATENTS PENDING, ALL RIGHTS RESERVED

ITEM	DESCRIPTION	PART NO.	QTY
1	CAST IRON TWSI PLATE	ADV-CI-24-35R	1

REFERENCE DRAWINGS

DWG. NO.	DESCRIPTION

ESTIMATED WEIGHT: 36lbs
22 PCS MAKE FULL 90°
ANGLE

COMPLIES WITH:
CSA B651
ISO 23599
AODA

NO.	DATE	REVISION	APPR.
3	05/11/17	REVISED DETAIL 2	DD
2	04/08/16	REVISED & ADDED	AI
1	04/01/15	DETAILS ADDED	DD
0	02/27/15		DD

SCALE
N.T.S.

DESIGNED	K.S.	DATE	01/28/2015
DRAWN	M.T.	05/11/2017	
DRAWN	D.D.	05/11/2017	

PROJECT MANAGER

TRADE TWSI PART NO. ADV-CI-24-35R

MATERIAL GREY CAST IRON / ASTM A48 CLASS 35B

SUBJECT
Advantagē[®]

PROJECT
ADVANTAGE CAST IRON
TACTILE WALKING SURFACE INDICATOR PLATE
610mm [24"]-10668mm [35"] RADIUS

DRAWING NO.	ADV-CI-24-35R	REV. NO.	3
-------------	---------------	----------	---