



ENGINEERED PRODUCTS

www.kinesik.ca

© KINESIK ENGINEERED PRODUCTS  
 ACCESS, ACCESS TILE, ACCESS + AND THE TWO AND THREE DIMENSIONAL DESIGNS ON THE DOMES ARE TRADEMARKS OF ENGINEERED SYSTEMS INC. PATENTS PENDING IN THE USA, CANADA AND INTERNATIONALLY. DISTRIBUTED UNDER LICENSE BY KINESIK ENGINEERED PRODUCTS.

© KENNETH E. SZEKELY

MATERIAL LIST

ITEM	DESCRIPTION	PART NO.	QTY
1	ACCESS TILE	ACC-R-1212	1
2	ANCHOR ASSEMBLY	ACC-R-ANCH	4

NOTE: ANCHORS ARE INCLUDED AND ASSEMBLED ON TILE.

REFERENCE DRAWINGS

DWG. NO.	DESCRIPTION

No.	DATE	REVISION	APPR.

SCALE: N.T.S.

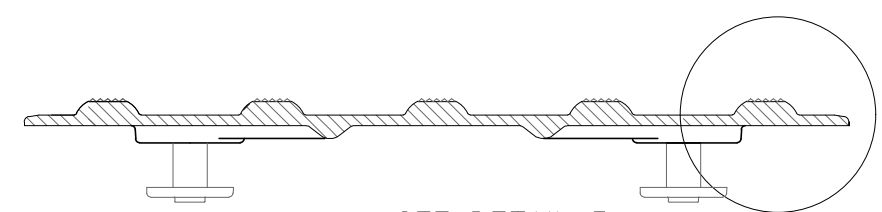
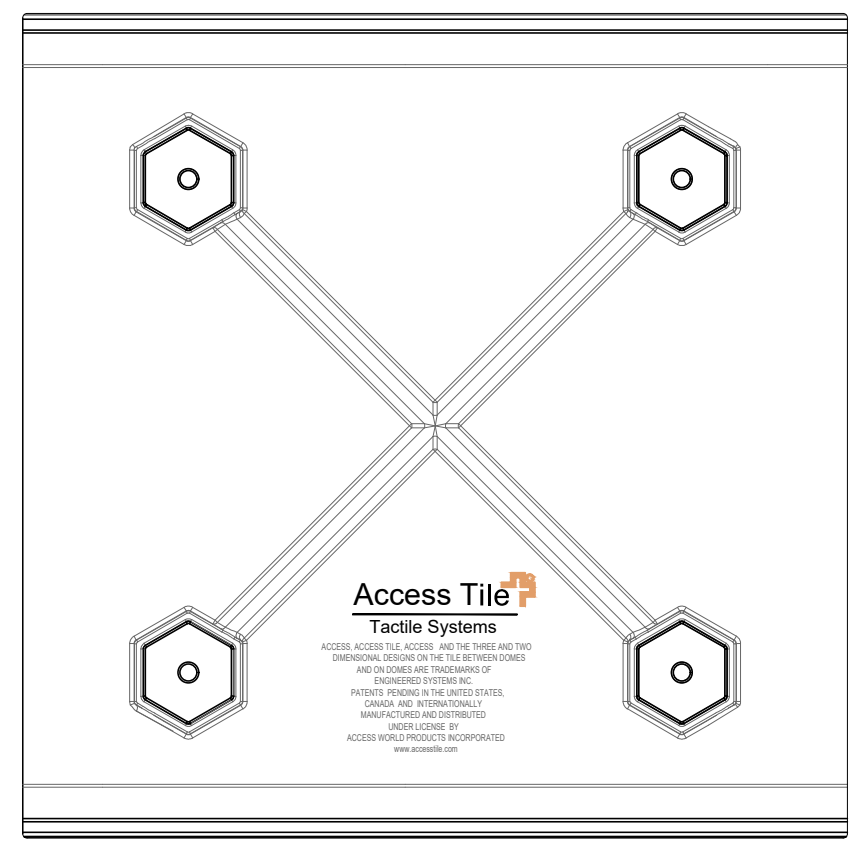
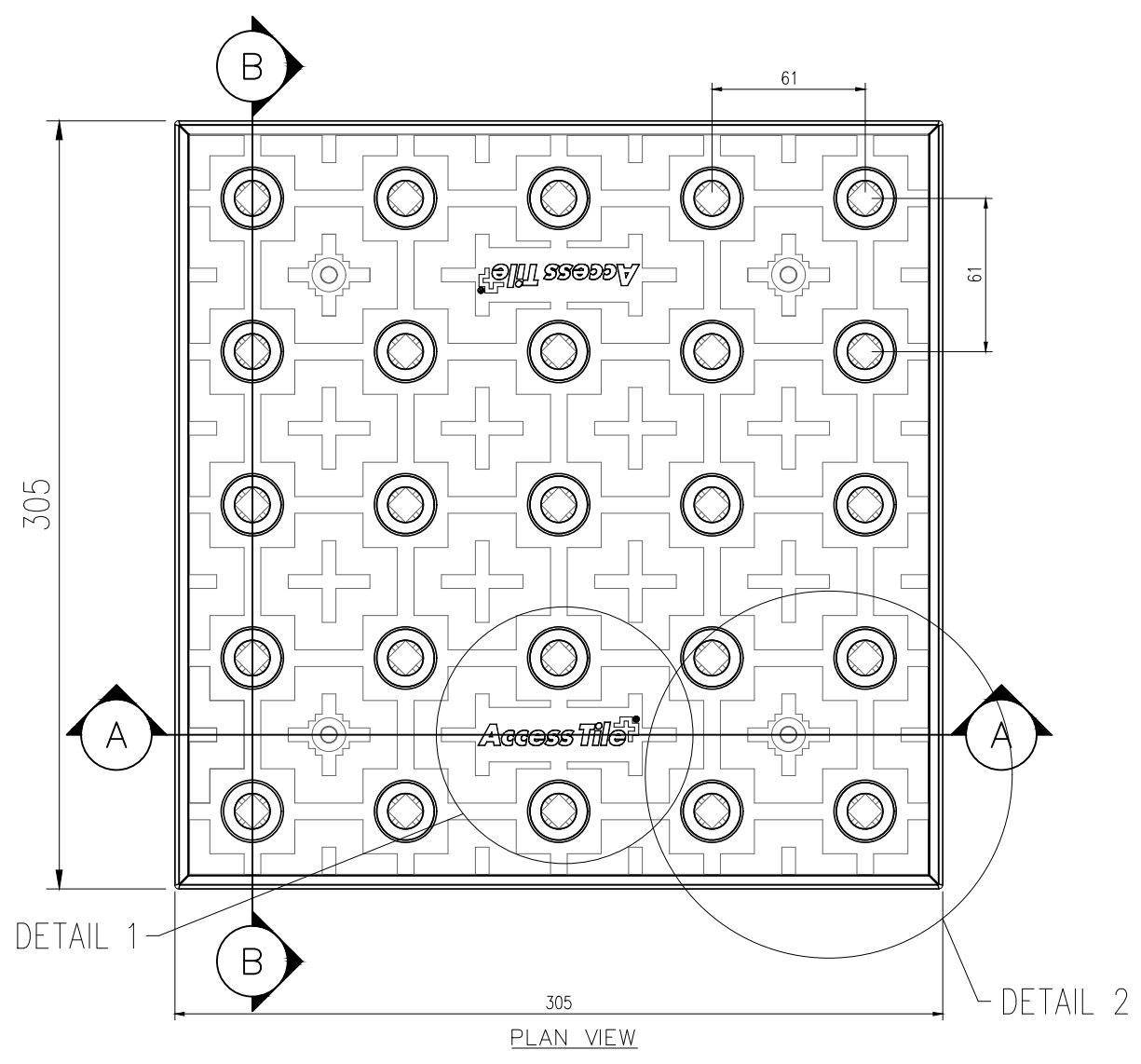
DESIGNED	KES	DATE	09/15/2014
DRAWN	M.T.	DATE	20/07/2017
DRAWN	D.D.		

PROJECT MANAGER	
TRADE	TWSI
PART NO.	ACC-R-1212
MATERIAL	POLYMER COMPOSITE

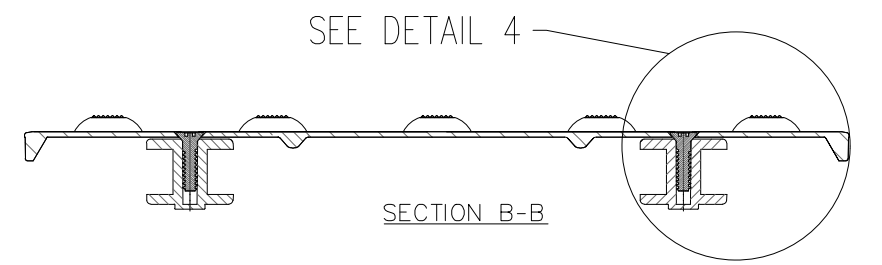
SUBJECT: **Access Tile**  
 TRUNCATED DOME, TACTILE WALKING SURFACE INDICATOR TILE

PROJECT: TRUNCATED DOME, TACTILE WALKING SURFACE INDICATOR 305 x 305 REPLACEABLE CAST IN PLACE INLINE DOME TILE DRAWING

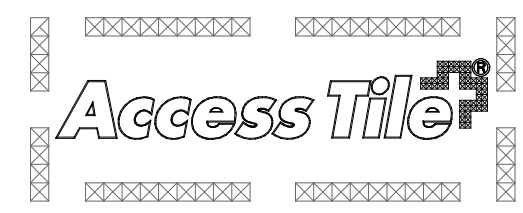
DRAWING NO.	ACC-R-1212	REV. NO.	0
-------------	------------	----------	---



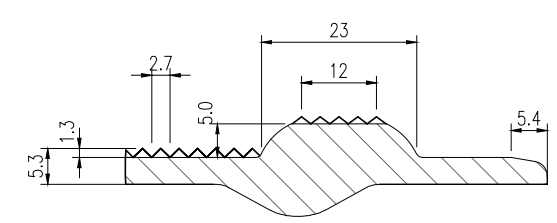
SEE DETAIL 3  
SECTION A-A



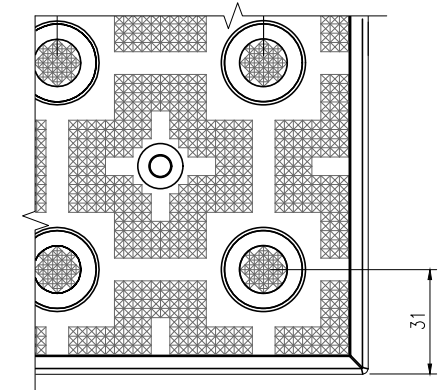
SEE DETAIL 4  
SECTION B-B



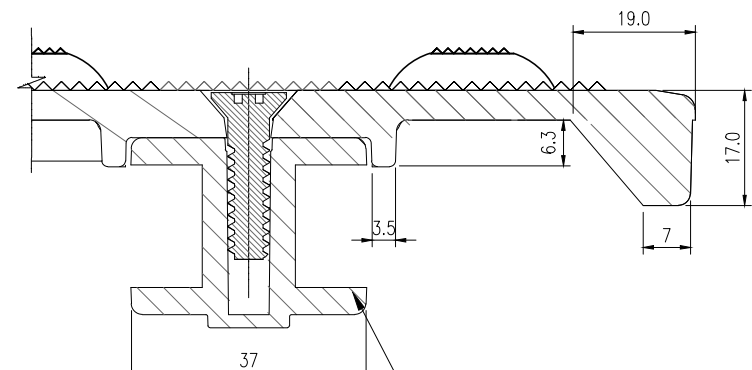
DETAIL 1



DETAIL 3

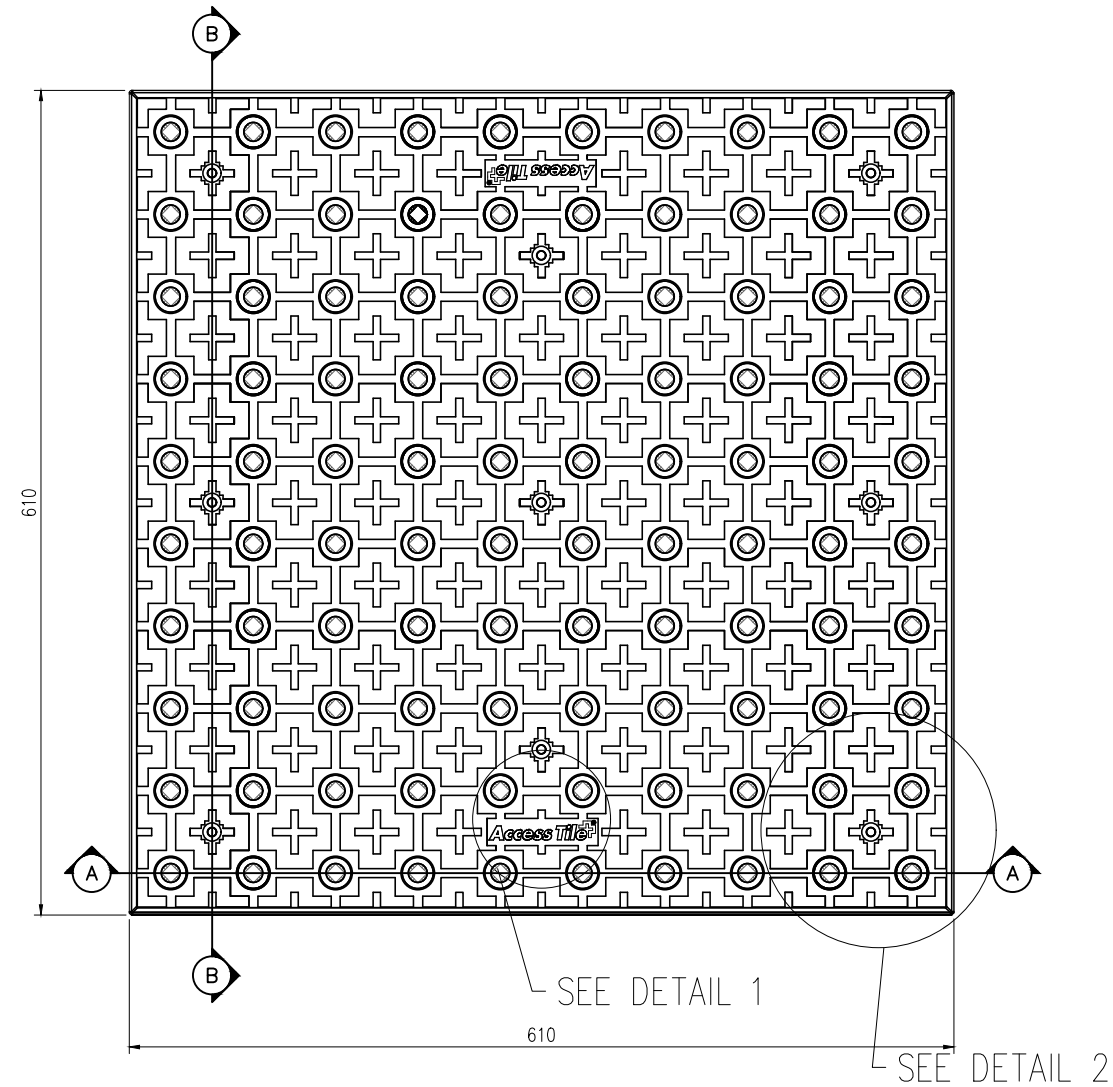


DETAIL 2

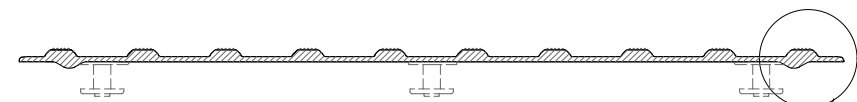


DETAIL 4

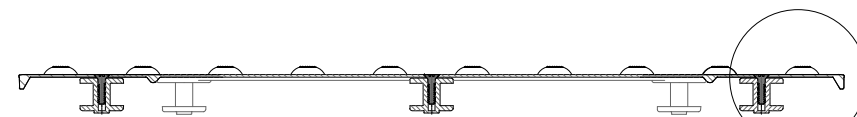
HEXAGONAL GLASS REINFORCED NYLON EMBEDMENT-ANCHOR



PLAN VIEW



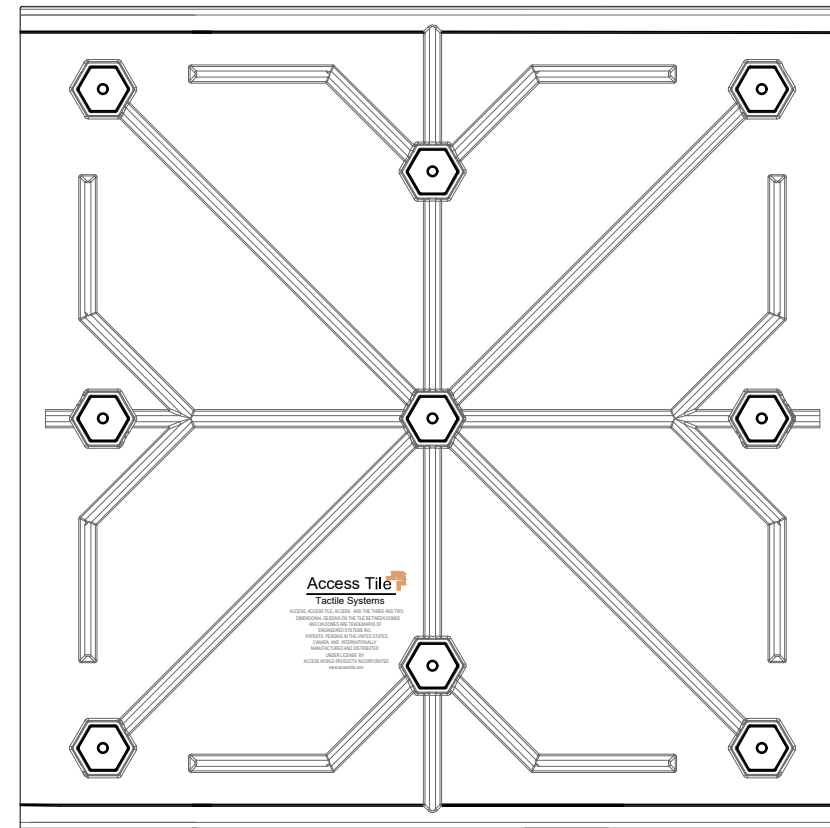
SECTION A-A SEE DETAIL 3



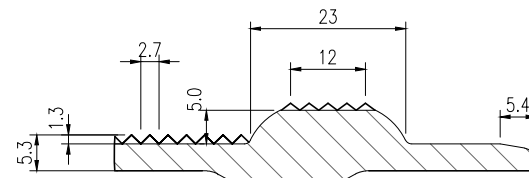
SECTION B-B SEE DETAIL 4



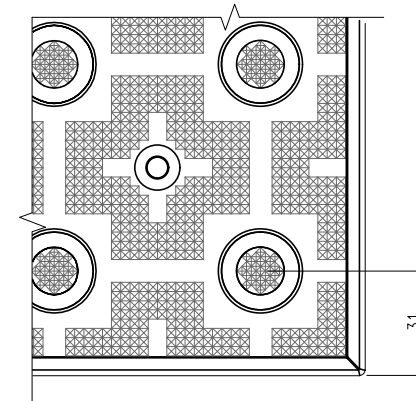
DETAIL 1



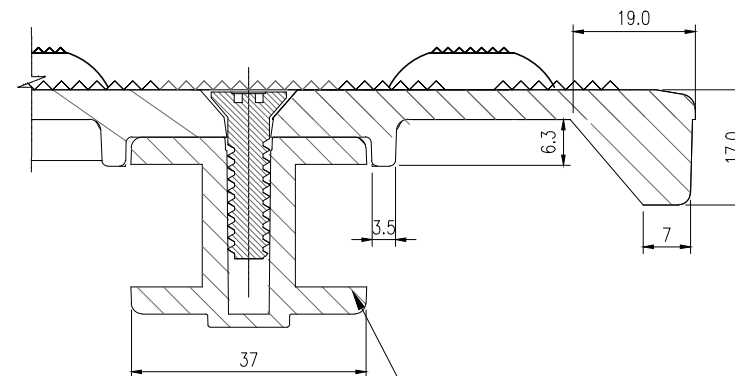
UNDERSIDE VIEW



DETAIL 3



DETAIL 2



DETAIL 4

HEXAGONAL GLASS  
REINFORCED NYLON  
EMBEDMENT-ANCHOR



ENGINEERED PRODUCTS

www.kinesik.ca

© KINESIK ENGINEERED PRODUCTS

ACCESS, ACCESS TILE, ACCESS + AND THE TWO AND THREE DIMENSIONAL DESIGNS ON THE DOMES ARE TRADEMARKS OF ENGINEERED SYSTEMS INC. PATENTS PENDING IN THE USA, CANADA AND INTERNATIONALLY. DISTRIBUTED UNDER LICENSE BY KINESIK ENGINEERED PRODUCTS.

© KENNETH E. SZEKELY

MATERIAL LIST

ITEM	DESCRIPTION	PART NO.	QTY
1	ACCESS TILE	ACC-R-2424	1
2	ANCHOR ASSEMBLY	ACC-R-ANCH	9

NOTE: ANCHORS ARE INCLUDED AND ASSEMBLED ON TILE.

REFERENCE DRAWINGS

DWG. NO.	DESCRIPTION

No.	DATE	REVISION	APPR.

SCALE

N.T.S.

DESIGNED KES DATE 09/15/2014

DRAWN M.T. DATE 20/07/2017

DRAWN D.D.

PROJECT MANAGER

TRADE TWSI PART NO. ACC-R-2424

MATERIAL POLYMER COMPOSITE

SUBJECT  
**Access Tile**  
TRUNCATED DOME, TACTILE WALKING SURFACE INDICATOR TILE

PROJECT  
TRUNCATED DOME, TACTILE WALKING SURFACE INDICATOR 610 x 610 REPLACEABLE CAST IN PLACE INLINE DOME TILE DRAWING

DRAWING NO. ACC-R-2424 REV. NO. 0



ENGINEERED PRODUCTS

www.kinesik.ca

© KINESIK ENGINEERED PRODUCTS  
 ACCESS, ACCESS TILE, ACCESS + AND THE TWO AND THREE DIMENSIONAL DESIGNS ON THE DOMES ARE TRADEMARKS OF ENGINEERED SYSTEMS INC. PATENTS PENDING IN THE USA, CANADA AND INTERNATIONALLY. DISTRIBUTED UNDER LICENSE BY KINESIK ENGINEERED PRODUCTS.

© KENNETH E. SZEKELY

MATERIAL LIST

ITEM	DESCRIPTION	PART NO.	QTY
1	ACCESS TILE	ACC-R-2436	1
2	ANCHOR ASSEMBLY	ACC-R-ANCH	12

NOTE: ANCHORS ARE INCLUDED AND ASSEMBLED ON TILE.

REFERENCE DRAWINGS

DWG. NO.	DESCRIPTION

No.	DATE	REVISION	APPR.

SCALE N.T.S.

DESIGNED	KES	DATE	09/15/2014
DRAWN	M.T.		20/07/2017
DRAWN	D.D.		

PROJECT MANAGER

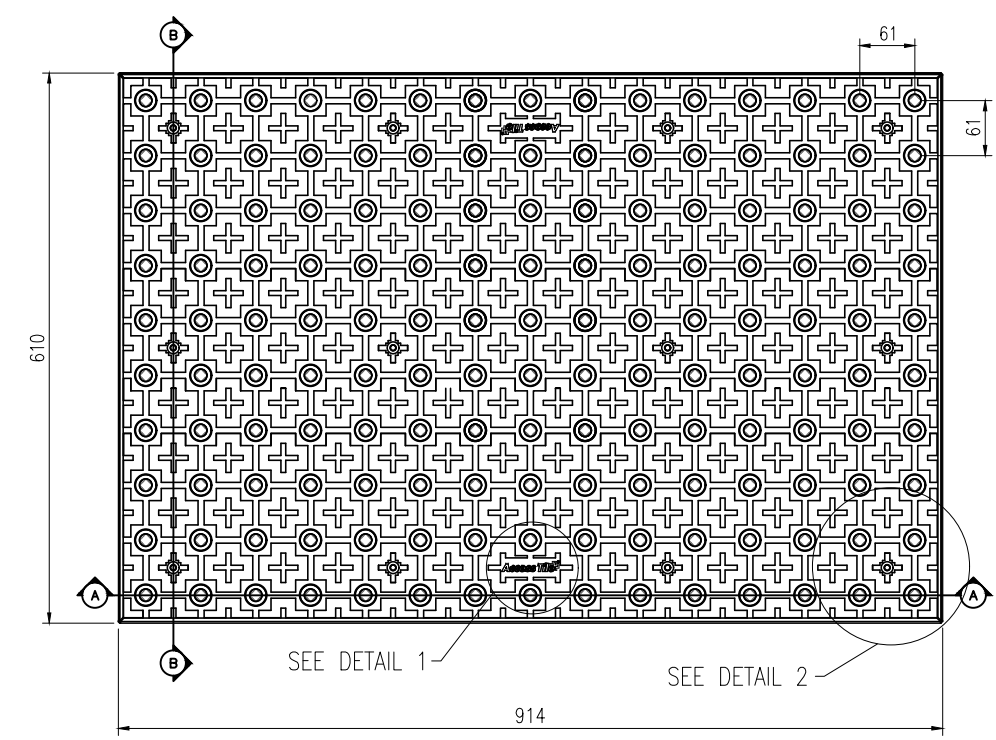
TRADE TWSI PART NO. ACC-R-2436

MATERIAL POLYMER COMPOSITE

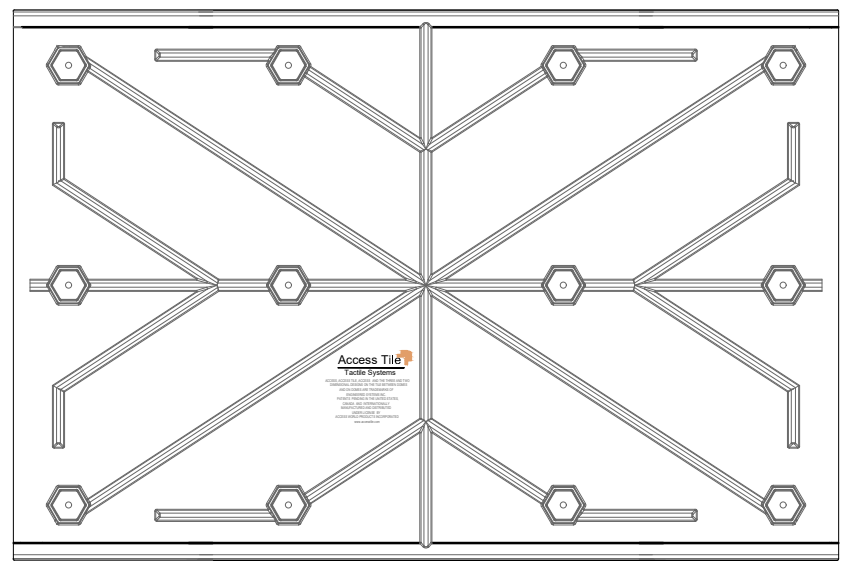
SUBJECT **Access Tile**  
 TRUNCATED DOME, TACTILE WALKING SURFACE INDICATOR TILE

PROJECT TRUNCATED DOME, TACTILE WALKING SURFACE INDICATOR 610 x 914 REPLACEABLE CAST IN PLACE INLINE DOME TILE DRAWING

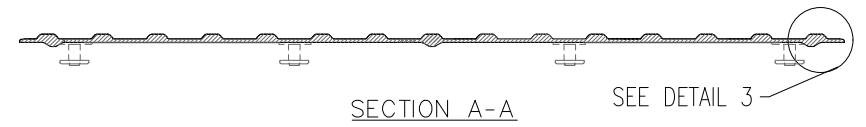
DRAWING NO. ACC-R-2436 REV. NO. 0



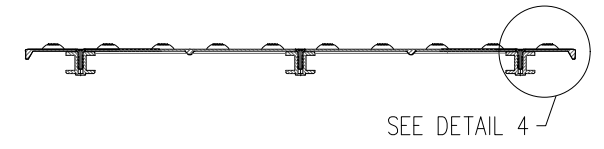
PLAN VIEW



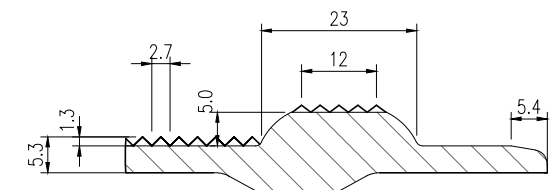
UNDERSIDE VIEW



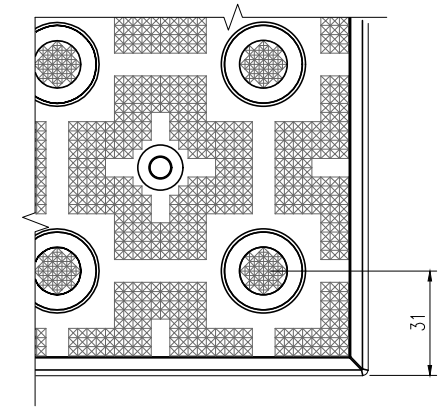
SECTION A-A



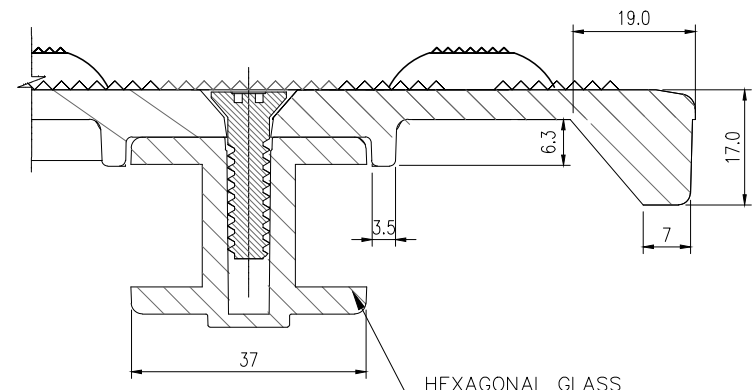
SECTION B-B



DETAIL 3

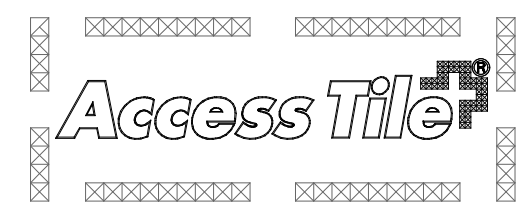


DETAIL 2



DETAIL 4

HEXAGONAL GLASS REINFORCED NYLON EMBEDMENT-ANCHOR



DETAIL 1



ENGINEERED PRODUCTS

www.kinesik.ca

© KINESIK ENGINEERED PRODUCTS  
 ACCESS, ACCESS TILE, ACCESS + AND THE TWO AND THREE DIMENSIONAL DESIGNS ON THE DOMES ARE TRADEMARKS OF ENGINEERED SYSTEMS INC. PATENTS PENDING IN THE USA, CANADA AND INTERNATIONALLY. DISTRIBUTED UNDER LICENSE BY KINESIK ENGINEERED PRODUCTS.

© KENNETH E. SZEKELY

MATERIAL LIST

ITEM	DESCRIPTION	PART NO.	QTY
1	ACCESS TILE	ACC-R-2448	1
2	ANCHOR ASSEMBLY	ACC-R-ANCH	13

NOTE: ANCHORS ARE INCLUDED AND ASSEMBLED ON TILE.

REFERENCE DRAWINGS

DWG. NO.	DESCRIPTION

No.	DATE	REVISION	APPR.

SCALE  
N.T.S.

DESIGNED	KES	DATE	09/15/2014
DRAWN	M.T.		20/07/2017
DRAWN	D.D.		

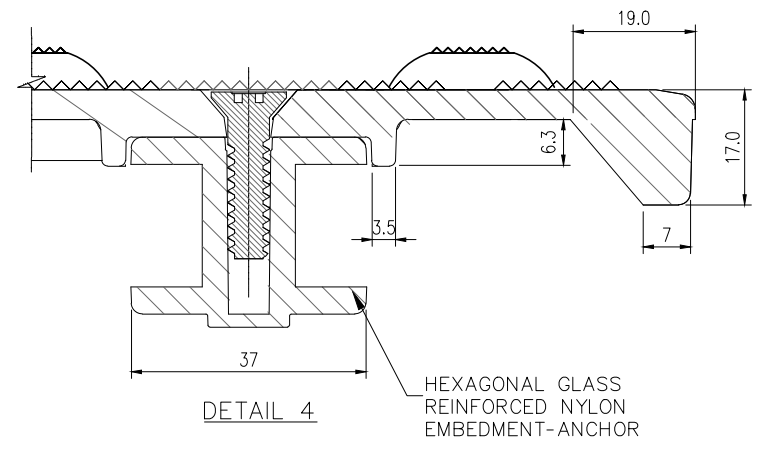
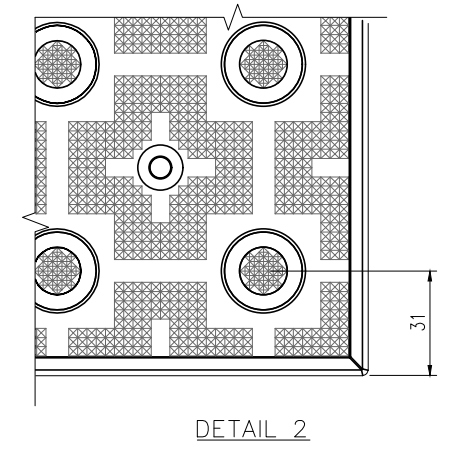
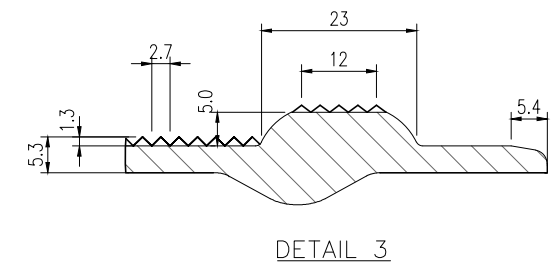
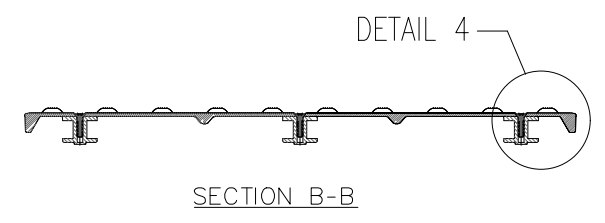
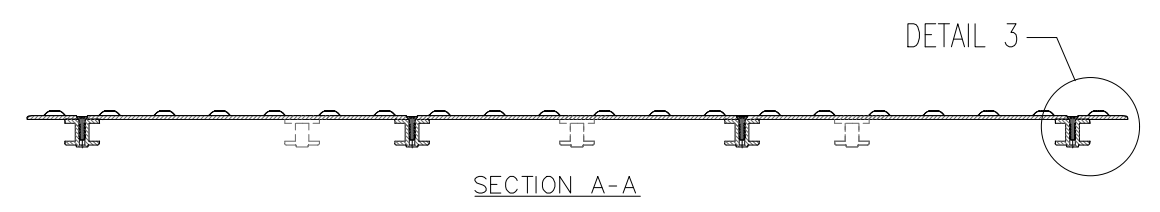
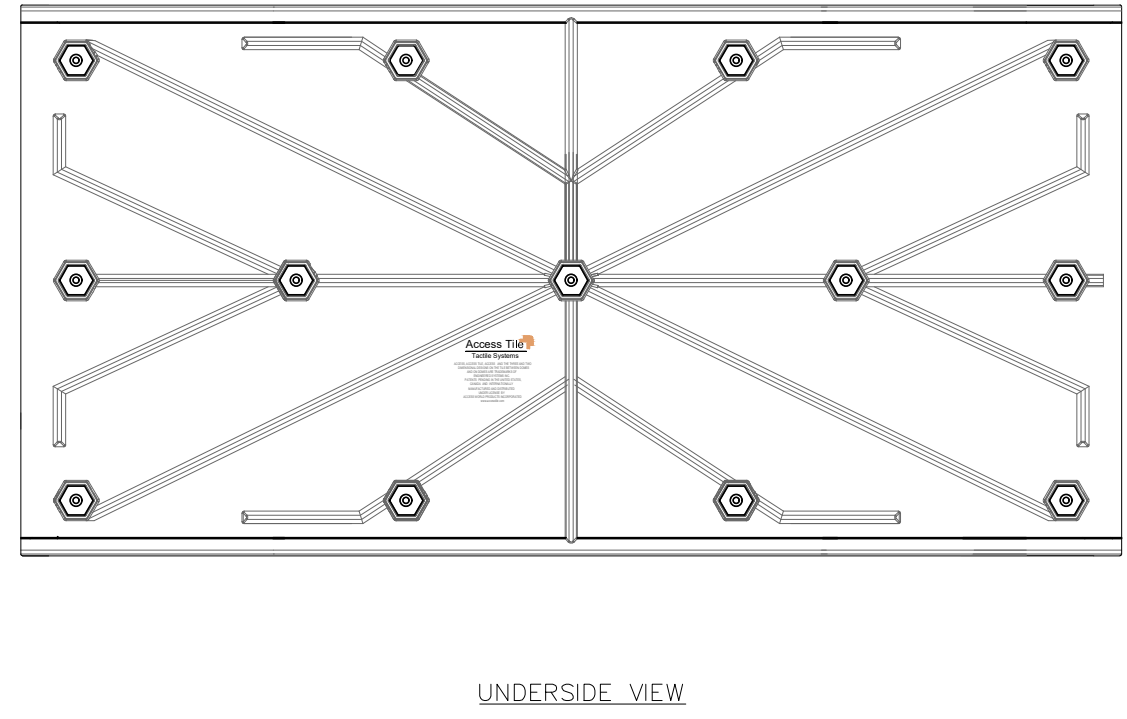
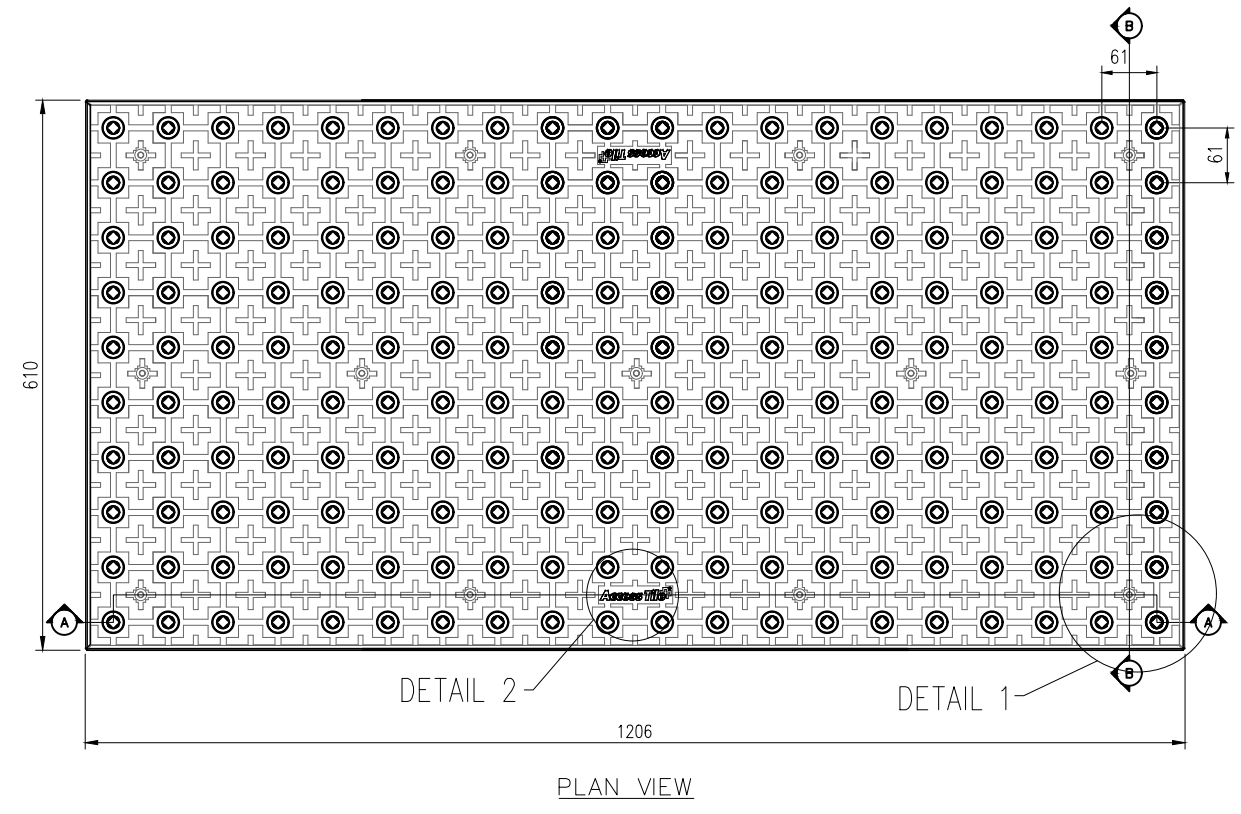
PROJECT MANAGER	
TRADE	TWSI
PART NO.	ACC-R-2448

MATERIAL  
POLYMER COMPOSITE

SUBJECT  
  
TRUNCATED DOME, TACTILE WALKING SURFACE INDICATOR TILE

PROJECT  
 TRUNCATED DOME, TACTILE WALKING SURFACE INDICATOR 610 x 1206  
 REPLACEABLE CAST IN PLACE  
 INLINE DOME TILE DRAWING

DRAWING NO.	ACC-R-2448	REV. NO.	0
-------------	------------	----------	---



HEXAGONAL GLASS REINFORCED NYLON EMBEDMENT-ANCHOR



ENGINEERED PRODUCTS

www.kinesik.ca

© KINESIK ENGINEERED PRODUCTS  
 ACCESS, ACCESS TILE, ACCESS + AND THE TWO AND THREE DIMENSIONAL ENGINEERED DESIGNS ON THE DOMES ARE TRADEMARKS OF ENGINEERED SYSTEMS INC. PATENTS PENDING IN THE USA, CANADA AND INTERNATIONALLY. DISTRIBUTED UNDER LICENSE BY KINESIK ENGINEERED PRODUCTS.

© KENNETH E. SZEKELY

MATERIAL LIST

ITEM	DESCRIPTION	PART NO.	QTY
1	ACCESS TILE	ACC-R-2460	1
2	ANCHOR ASSEMBLY	ACC-R-ANCH	18

NOTE: ANCHORS ARE INCLUDED AND ASSEMBLED ON TILE.

REFERENCE DRAWINGS

DWG. NO.	DESCRIPTION

No.	DATE	REVISION	APPR.

SCALE  
N.T.S.

DESIGNED	KES	DATE	09/15/2014
DRAWN	M.T.		20/07/2017
DRAWN	D.D.		

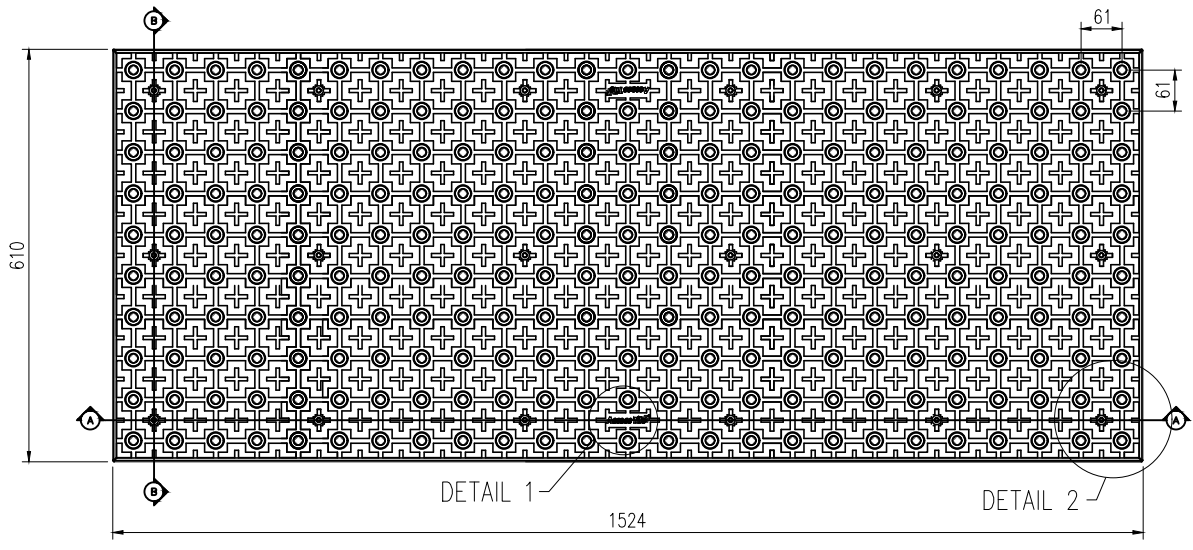
PROJECT MANAGER	
TRADE	TWSI
PART NO.	ACC-R-2460

MATERIAL  
POLYMER COMPOSITE

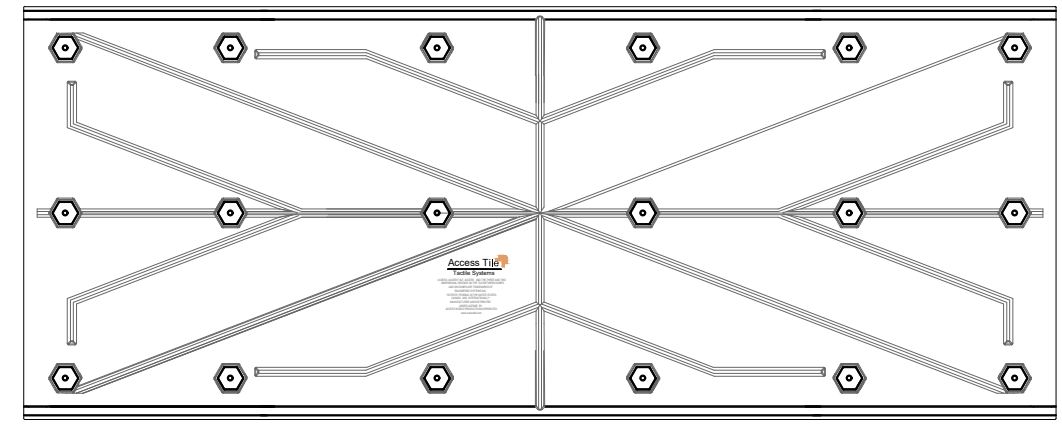
SUBJECT  
  
TRUNCATED DOME, TACTILE WALKING SURFACE INDICATOR TILE

PROJECT  
 TRUNCATED DOME, TACTILE WALKING SURFACE INDICATOR 610 x 1524 REPLACEABLE CAST IN PLACE INLINE DOME TILE DRAWING

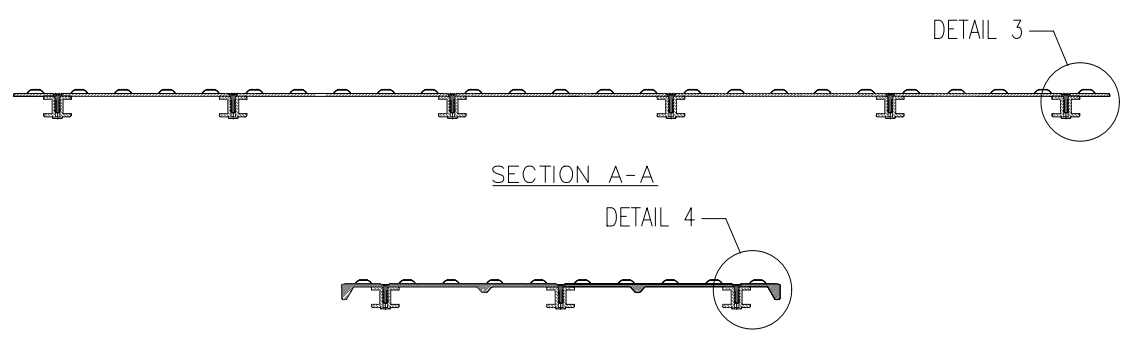
DRAWING NO.	ACC-R-2460	REV. NO.	0
-------------	------------	----------	---



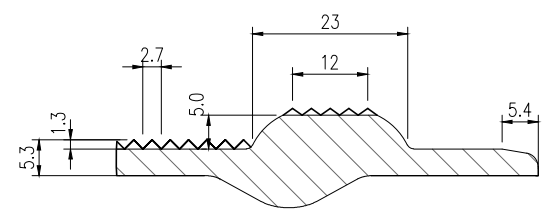
PLAN VIEW



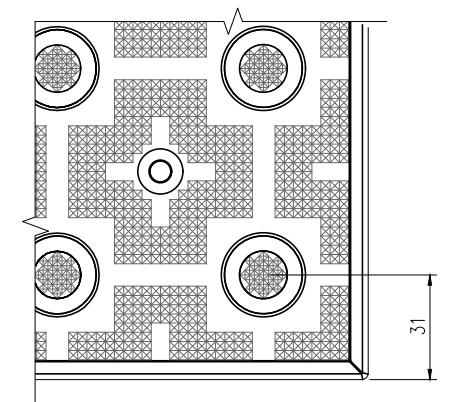
UNDERSIDE VIEW



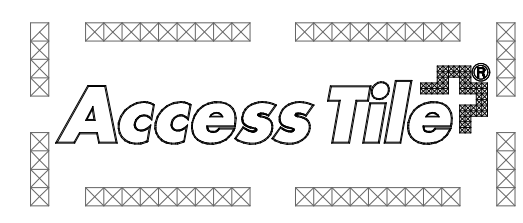
SECTION B-B



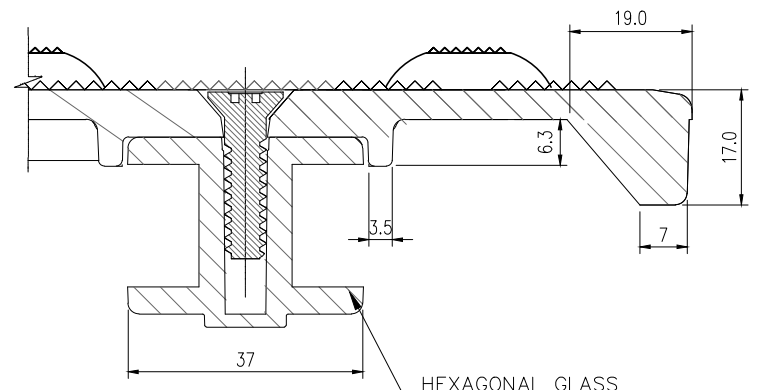
DETAIL 3



DETAIL 2



DETAIL 1



DETAIL 4

HEXAGONAL GLASS REINFORCED NYLON EMBEDMENT-ANCHOR



ENGINEERED PRODUCTS

www.kinesik.ca

© KINESIK ENGINEERED PRODUCTS

ACCESS, ACCESS TILE, ACCESS + AND THE TWO AND THREE DIMENSIONAL DESIGNS ON THE DOMES ARE TRADEMARKS OF ENGINEERED SYSTEMS INC. PATENTS PENDING IN THE USA, CANADA AND INTERNATIONALLY. DISTRIBUTED UNDER LICENSE BY KINESIK ENGINEERED PRODUCTS.

© KENNETH E. SZEKELY

MATERIAL LIST

ITEM	DESCRIPTION	PART NO.	QTY
1	ACCESS TILE	ACC-R-36x60	1
2	ANCHOR ASSEMBLY	ACC-R-ANCH	24

NOTE: ANCHORS ARE INCLUDED AND ASSEMBLED ON TILE.

REFERENCE DRAWINGS

DWG. NO.	DESCRIPTION

No.	DATE	REVISION	APPR.

SCALE N.T.S.

DESIGNED KES DATE 09/15/2014

DRAWN M.T. DATE 20/07/2017

DRAWN D.D.

PROJECT MANAGER

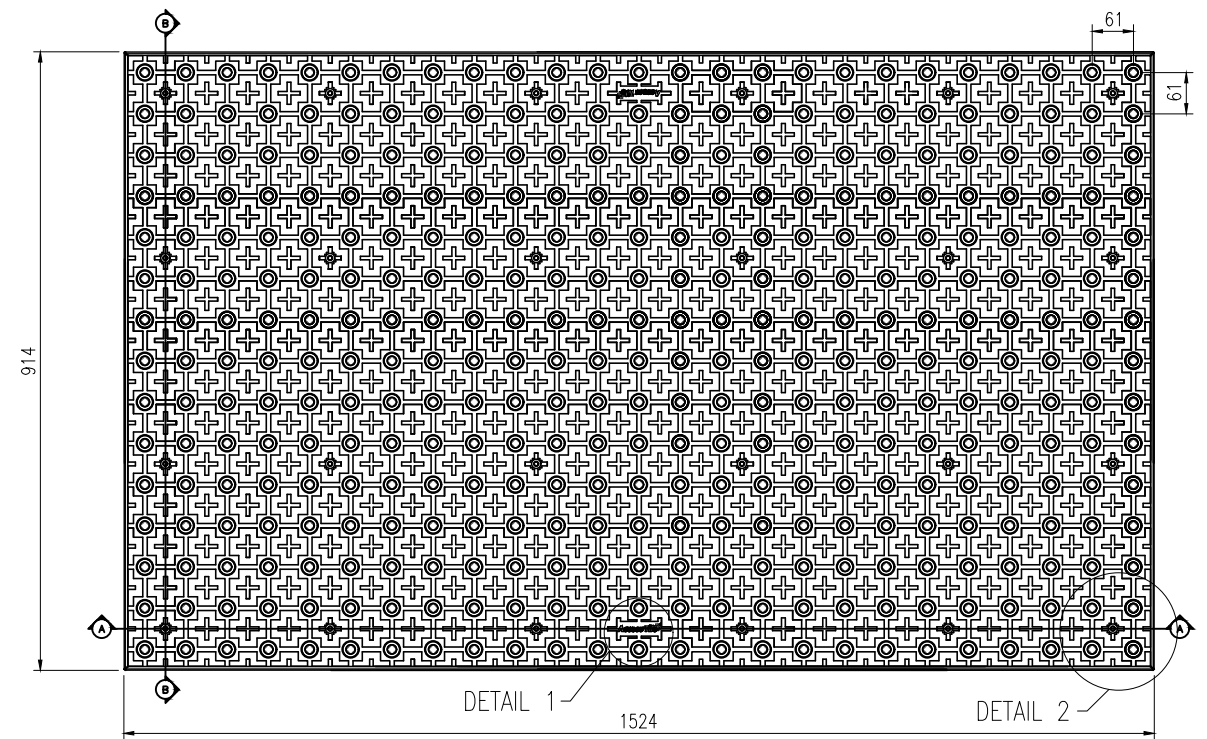
TRADE TWSI PART NO. ACC-R-36x60

MATERIAL POLYMER COMPOSITE

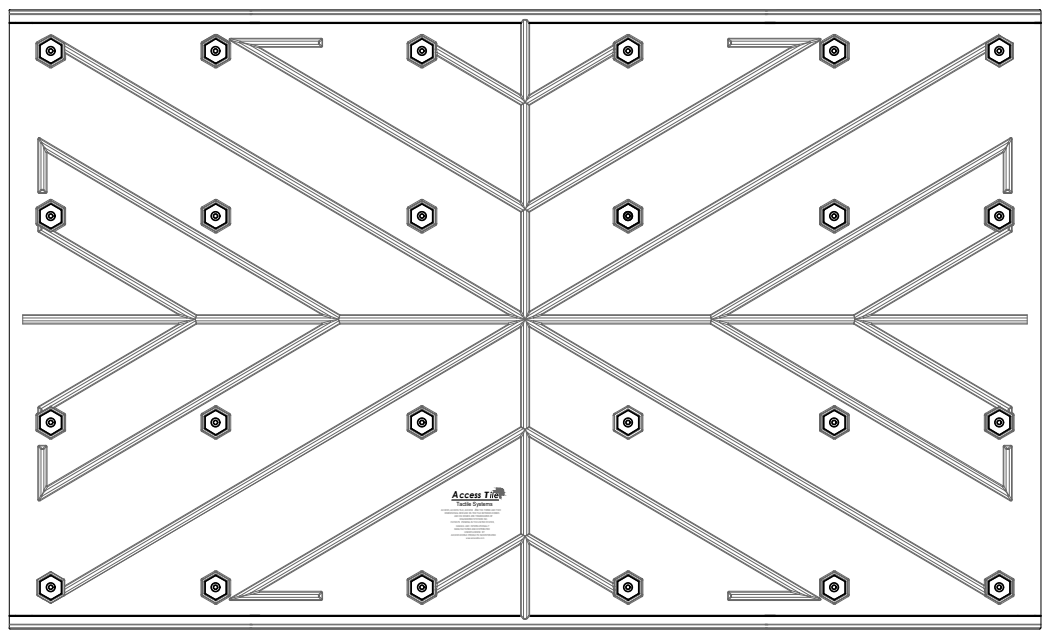
SUBJECT **Access Tile**  
TRUNCATED DOME, TACTILE WALKING SURFACE INDICATOR TILE

PROJECT TRUNCATED DOME, TACTILE WALKING SURFACE INDICATOR 914 x 1524 REPLACEABLE CAST IN PLACE INLINE DOME TILE DRAWING

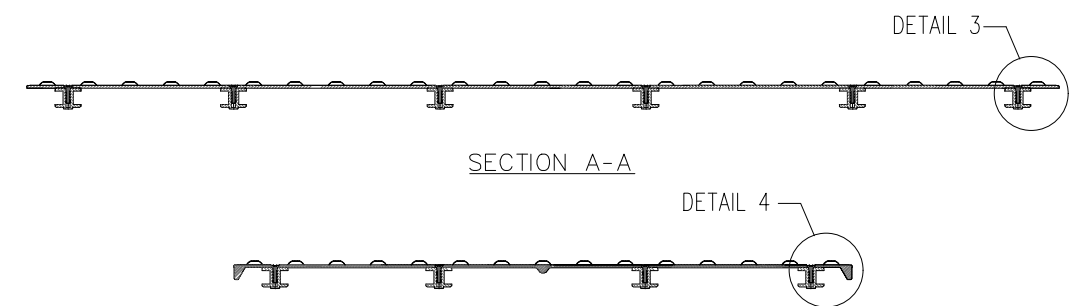
DRAWING NO. ACC-R-36x60 REV. NO. 0



PLAN VIEW

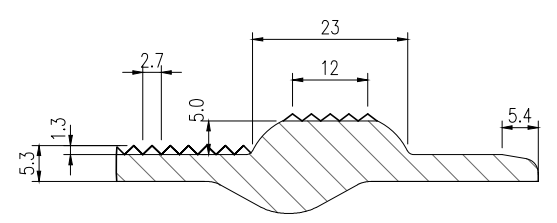


UNDERSIDE VIEW

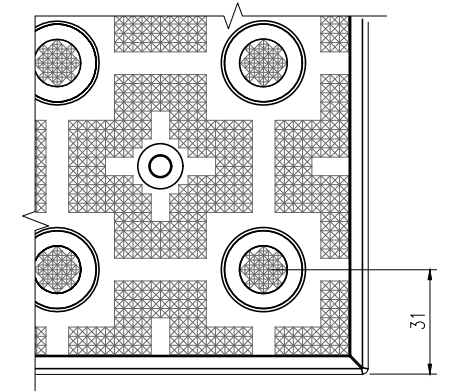


SECTION A-A

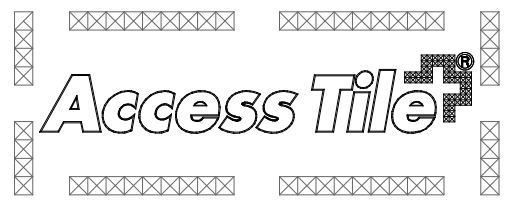
SECTION B-B



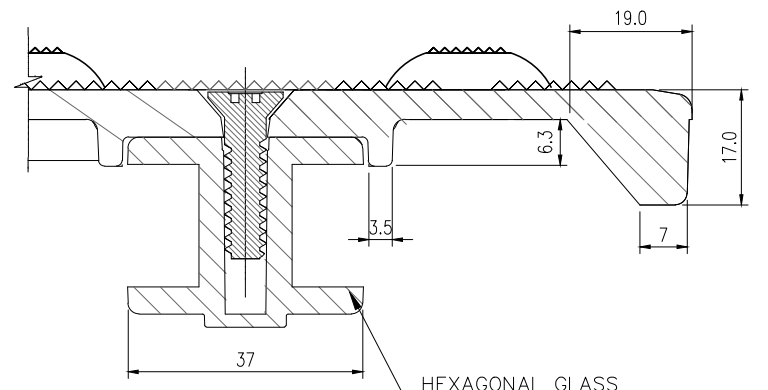
DETAIL 3



DETAIL 2

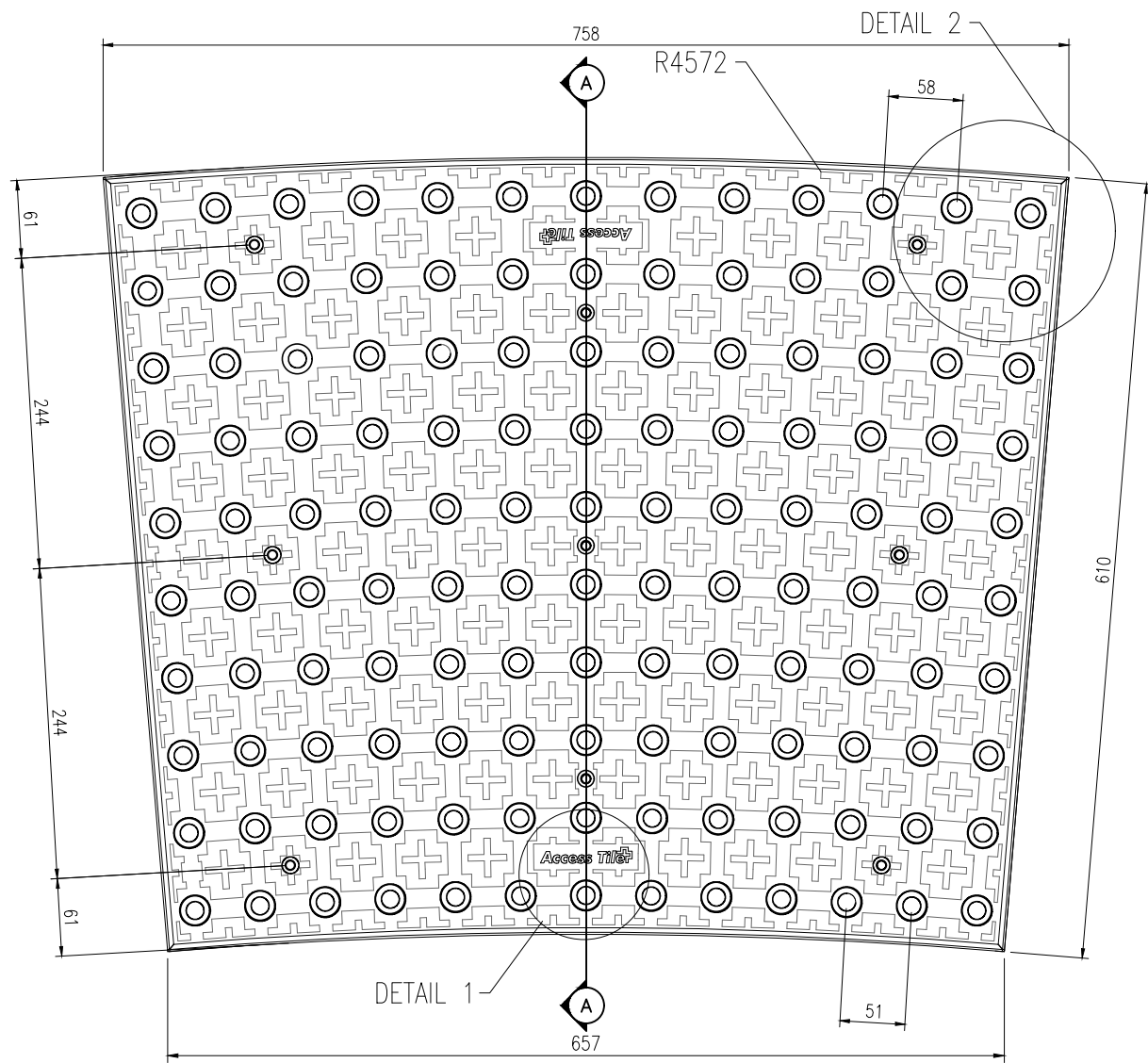


DETAIL 1

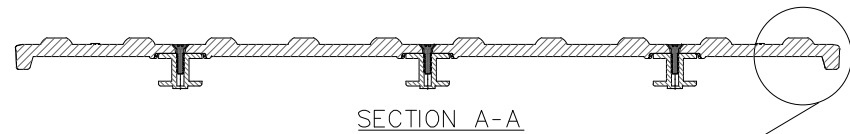


DETAIL 4

HEXAGONAL GLASS REINFORCED NYLON EMBEDMENT-ANCHOR

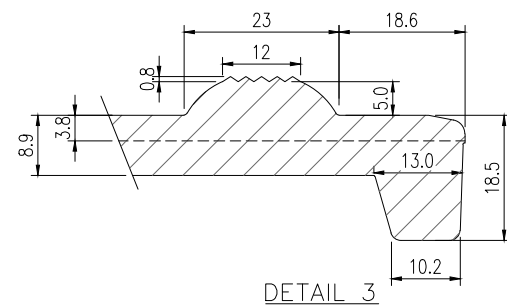


PLAN VIEW

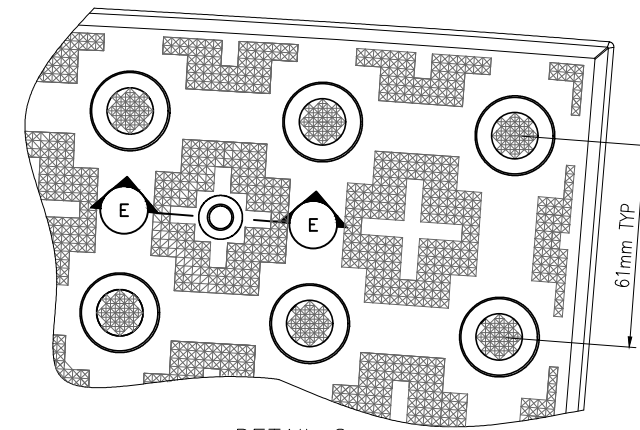


SECTION A-A

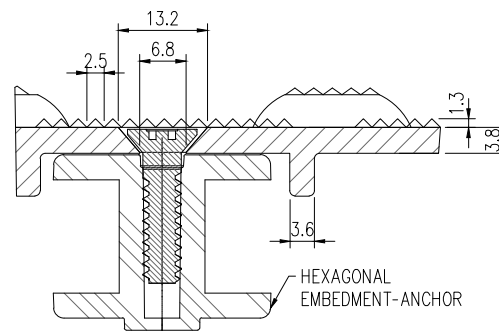
DETAIL 3



DETAIL 3

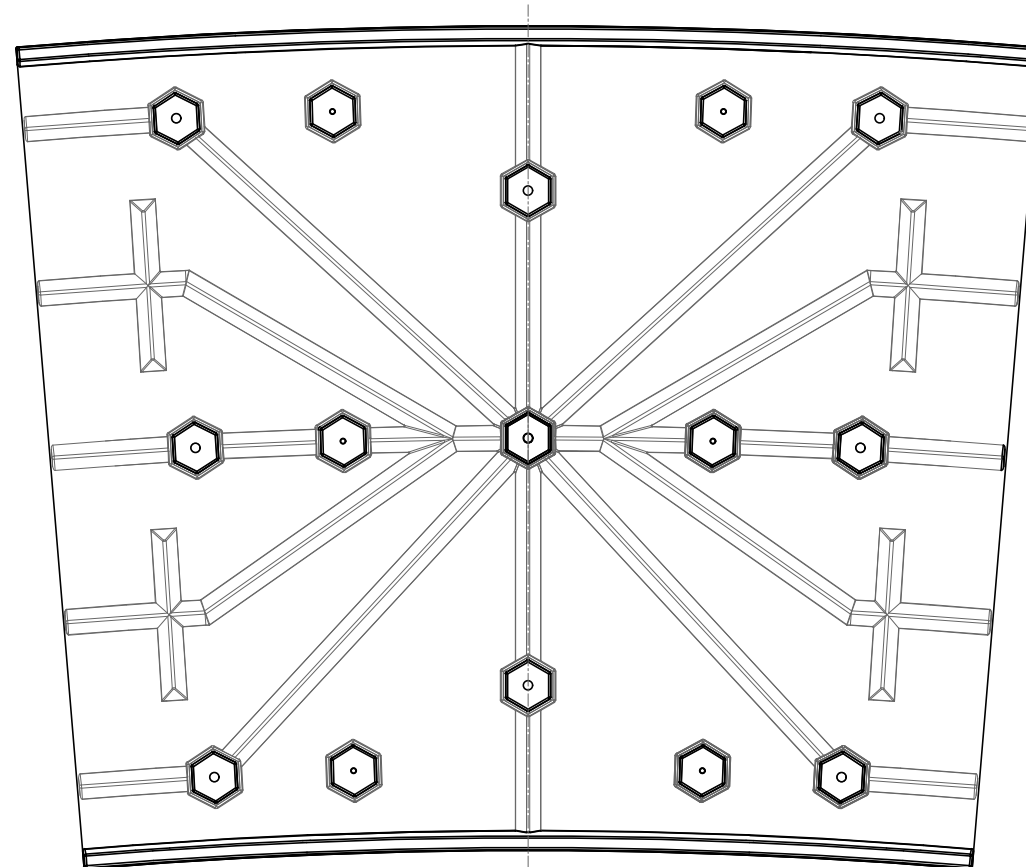


DETAIL 2



SECTION E-E

15' RADIUS WITHOUT CUTTING



UNDERSIDE VIEW



DETAIL 1



ENGINEERED PRODUCTS

www.kinesik.ca

© KINESIK ENGINEERED PRODUCTS

ACCESS, ACCESS TILE, ACCESS + AND THE TWO AND THREE DIMENSIONAL DESIGNS ON THE DOMES ARE TRADEMARKS OF ENGINEERED SYSTEMS INC. PATENTS PENDING IN THE USA, CANADA AND INTERNATIONALLY. DISTRIBUTED UNDER LICENSE BY KINESIK ENGINEERED PRODUCTS.

© KENNETH E. SZEKELY

MATERIAL LIST

ITEM	DESCRIPTION	PART NO.	QTY
1	ACCESS TILE	ACC-R-3024CRV	1
2	ANCHOR ASSEMBLY	ACC-R-ANCH	15

NOTE: ANCHORS ARE INCLUDED AND ASSEMBLED ON TILE.

REFERENCE DRAWINGS

DWG. NO.	DESCRIPTION

No.	DATE	REVISION	APPR.

SCALE

N.T.S.

DESIGNED KES DATE 09/15/2014

DRAWN M.T. DATE 20/07/2017

DRAWN D.D.

PROJECT MANAGER

TRADE TWSI PART NO. ACC-R-3024CRV

MATERIAL POLYMER COMPOSITE

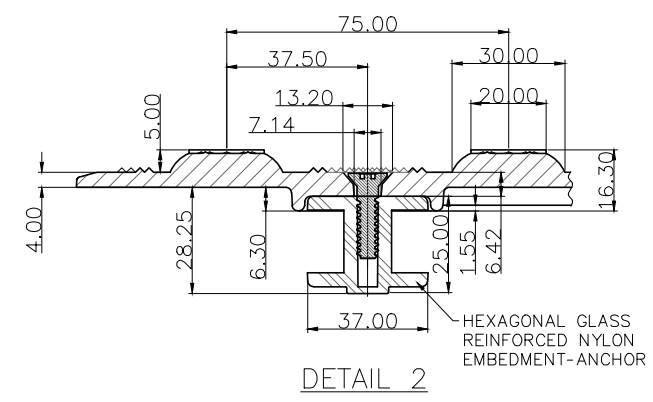
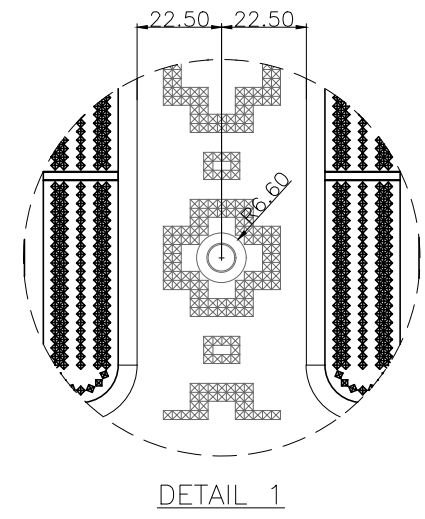
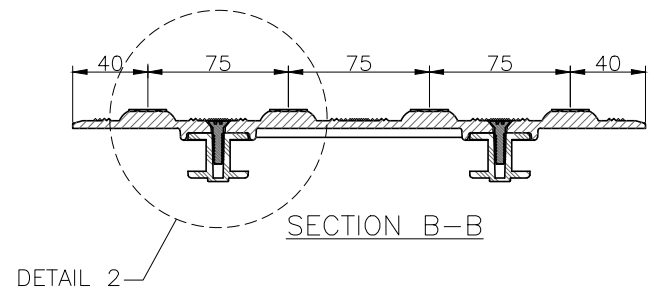
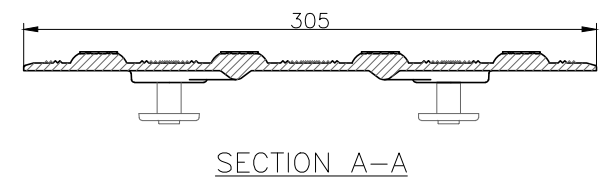
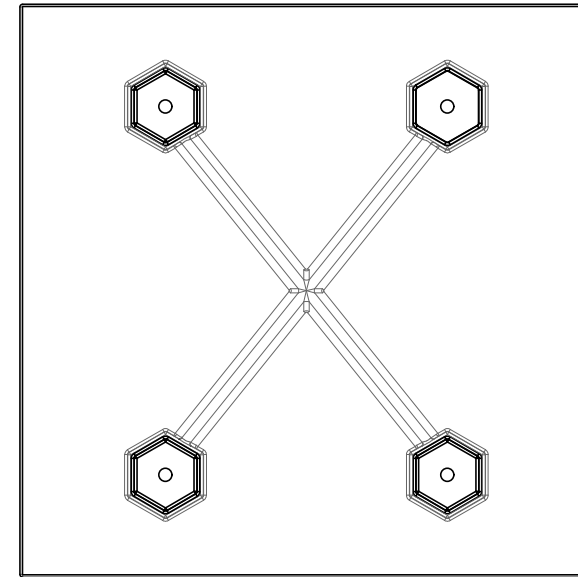
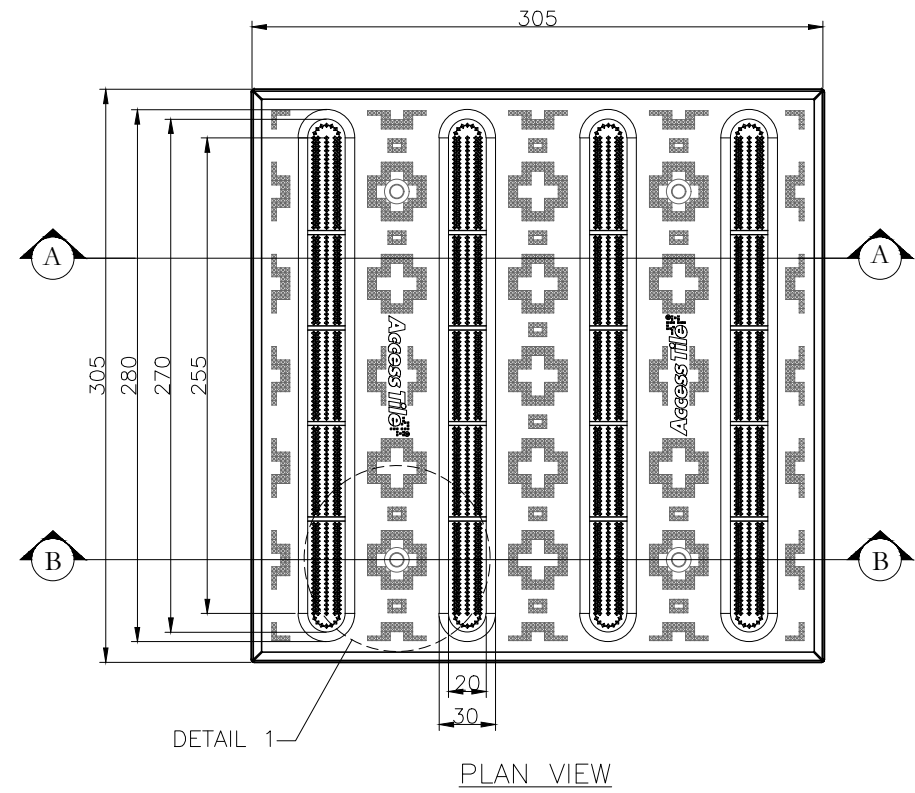
SUBJECT



TRUNCATED DOME, TACTILE WALKING SURFACE INDICATOR TILE

PROJECT  
TRUNCATED DOME, TACTILE WALKING SURFACE INDICATOR 610 x 758  
REPLACEABLE CAST IN PLACE  
INLINE DOME RADIUS TILE DRAWING

DRAWING NO. ACC-R-3024CRV REV. NO. 0



ENGINEERED PRODUCTS

www.kinesik.ca

© KINESIK ENGINEERED PRODUCTS

ACCESS, ACCESS TILE, ACCESS + AND THE TWO AND THREE DIMENSIONAL DESIGNS ON THE DOMES ARE TRADEMARKS OF ENGINEERED SYSTEMS INC. PATENTS PENDING IN THE USA, CANADA AND INTERNATIONALLY. DISTRIBUTED UNDER LICENSE BY KINESIK ENGINEERED PRODUCTS.

© KENNETH E. SZEKELY

MATERIAL LIST

ITEM	DESCRIPTION	PART NO.	QTY
1	ACCESS TILE	ACC-RB-1212	1
2	ANCHOR ASSEMBLY	ACC-RB-ANCH	4

NOTE: ANCHORS ARE INCLUDED AND ASSEMBLED ON TILE.

REFERENCE DRAWINGS

DWG. NO.	DESCRIPTION

No.	DATE	REVISION	APPR.

SCALE

N.T.S.

DESIGNED KES DATE 09/15/2014

DRAWN M.T. DATE 20/07/2017

DRAWN D.D.

PROJECT MANAGER

TRADE TWSI PART NO. ACC-RB-1212

MATERIAL POLYMER COMPOSITE

SUBJECT **Access Tile**  
TRUNCATED DOME, TACTILE WALKING SURFACE INDICATOR TILE

PROJECT  
DETECTABLE DIRECTIONAL REPLACEABLE CAST IN PLACE 305 x 305 TILE

DRAWING NO. ACC-RB-1212 REV. NO. 0